

MODEL NO. : HCI1050 SERIES



Features :

- * SMD version .
- * Low core loss and high efficiency performance .
- * Close magnetic path for low leakage flux .
- * Low DCR with flat wire design .
- * Compliant with RoHS and Halogen free .

Application :

- * Automobile .
- * Routers .
- * Solar energy .
- * DC/ DC converter in power regulation system .



Electrical Specification :

PART NO	INDUCTANCE (uH) $\pm 20\%$	DCR $\pm 10\%$ (m Ω)	INDUCTANCE (uH) TYP @TEMPERATURE RISE CURRENT	TEMPERATURE RISE CURRENT (ADC) (NOTE 2)	SATURATION CURRENT (ADC) (NOTE 3)
HCI1050-R16	0.16 $\pm 30\%$	0.51	0.15	28	58
HCI1050-R40	0.40	0.67	0.35	26	37
HCI1050-R50	0.50	1.30	0.40	25	35
HCI1050-R72	0.72	1.30	0.56	24	35
HCI1050-1R2	1.2	1.90	1.0	20	23
HCI1050-1R8	1.75	3.50	1.35	15	18
HCI1050-2R4	2.4	4.75	1.8	13.5	17
HCI1050-3R2	3.2	5.90	2.4	11.5	15
HCI1050-4R2	4.2	7.10	3.3	10	14
HCI1050-5R5	5.5	10.3	4.4	8.5	12
HCI1050-6R5	6.5	12.7	5.0	8.0	10
HCI1050-7R8	7.8	13.8	6.0	7.3	9.5
HCI1050-100	10	16.3	7.4	6.5	8.5
HCI1050-160	16	33.0	12.7	4.7	6.5

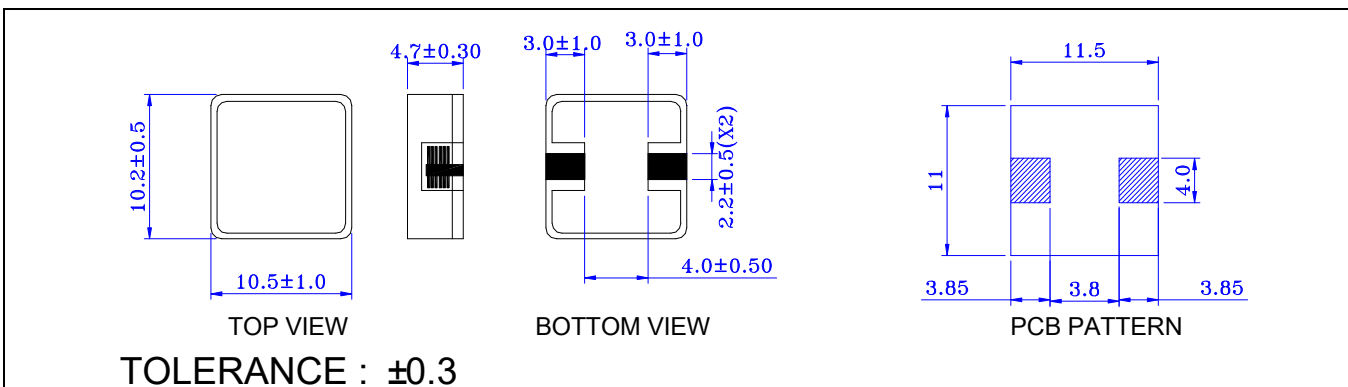
NOTE(1): Measuring condition : 100 KHZ, 0.1Vrms.

NOTE(2): $\Delta T = 40^\circ\text{C}$ approximately under the temperature rise current

NOTE(3): The saturation current indicates the value of DC current is approximately 30% lower than its initial value of inductance.

NOTE(4): Operating temperature range: $-40^\circ\text{C} \sim +150^\circ\text{C}$

Physical Dimension : (unit : mm)



PACKAGING SPEC:

1. REEL SIZE & UNITS PER REEL : 13", 700PCS.
2. TAPE WIDTH: 24mm.
3. REEL WIDTH: 29.5mm
4. COMPONENT PITCH: 16mm

INDUCTANCE vs DC BIAS:

