

PRODUCT NUMBER

77311-YXX-XXLF

PLATING SEE SHEET 2

PIN STYLE SEE SHEET 2

WHEN REQUIRED, ADD SUFFIX LETTER "LF"  
INDICATES THE PRODUCT IS RoHS  
COMPATIBLE, SEE NOTE 6  
TOTAL NB OF POSITIONS 01 TO 36  
OPTION LETTER SEE NOTE 7

PRODUCT NUMBER (BERGSTRIK PACKAGING)

77311-YXX-00LF

PLATING

1= 0.76µm GOLD/GXT ON CONTACT  
AREA, 2µm TIN MIN ON TAILS

8= 0.38µm GOLD/GXT ON CONTACT  
AREA, 2µm TIN MIN ON TAILS

4= 2.0µm TIN MIN FULL PLATED

1.27µm NICKEL MIN UNDERLAYER FOR  
ALL PLATING VERSIONS

INDICATES THE PRODUCT IS RoHS  
COMPATIBLE, SEE NOTE 6

POSITIONS PER REEL : 00=36,000 (BERGSTRIK)

PIN STYLE	MATING	SOLDER	OAL
01	5.84	2.41	10.8
02	5.84	3.42	11.8
18	5.84	3.05	11.43
22	7.75	3.05	13.35
24	6.75	2.9	12.2
27	6.6	2.66	11.8

NOTES:

- HOUSING MAT'L : HIGH TEMPERATURE THERMOPLASTIC. UL94V-0 COLOR: BLACK
- PIN MATERIAL : PHOSPHOR BRONZE
- BERGSTRIK PRODUCT PACKAGED IN POLY BAGS. BERGSTRIK PRODUCT PACKAGED PER REELS.

4. 9N MIN RETENTION IN EITHER DIRECTION

5. TO DETERMINE DIMENSIONS :  
N = NUMBER OF POSITIONS PER ROW  
EXAMPLE : 8 POS N x 2.54 = 20.32mm

6. RoHS COMPATIBLE PRODUCT SPECIFICATIONS

a - PLATING:

- "LF" MEANS THE PRODUCT IS LEAD-FREE,  
2µm MINIMUM MATTE TIN OVER 1.27µm  
MINIMUM NICKEL UNDERPLATE.

b - MANUFACTURING PROCESS COMPATIBILITY

- THE HOUSING WILL WITHSTAND EXPOSURE TO  
260°C ±5°C SOLDER BATH TEMPERATURE FOR  
5 SECONDS IN A WAVE SOLDER APPLICATION  
WITH A 1.6mm MIN THICK CIRCUIT BOARD.

c - LABELING:

- MEETS PACKAGING SPECS AS PER GS-14-920

d - LEGAL STATEMENT: SEE GS-22-008

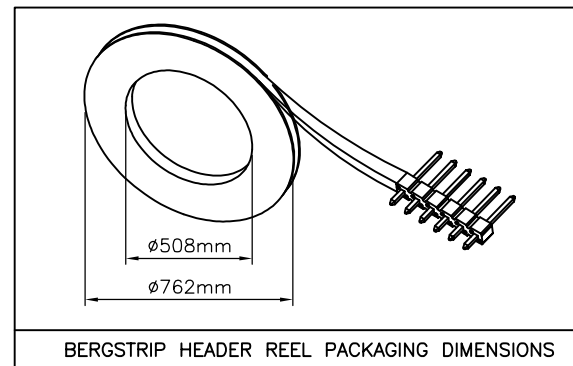
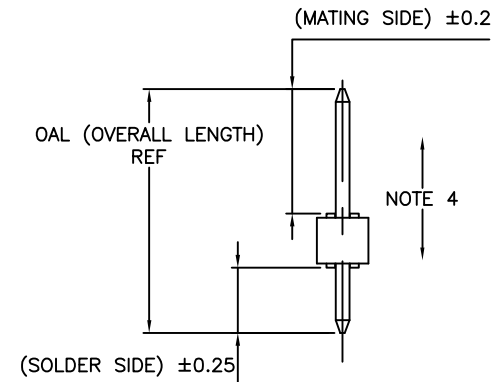
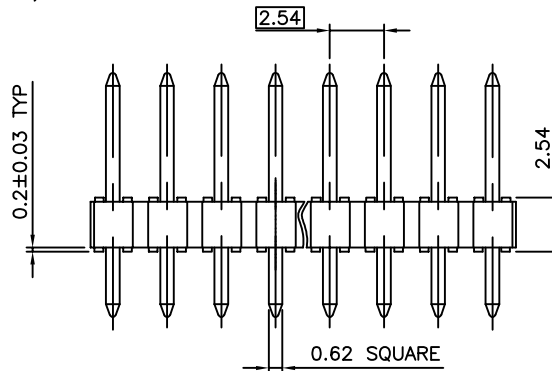
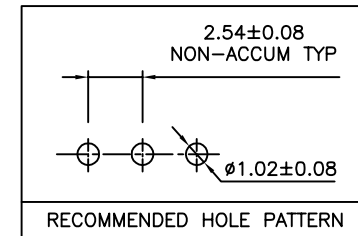
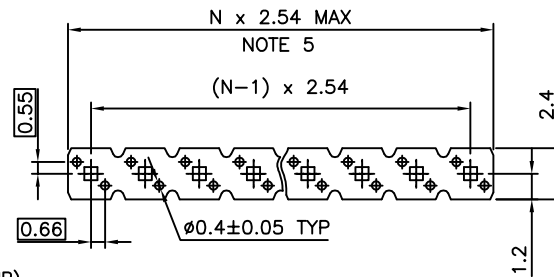
7. OPTION LETTER :

T = TUBE PACKAGING WITHOUT PICK UP CAP

K = TAPE & REEL PACKAGING, WITHOUT PICK UP CAP  
ONLY FOR P/N 77311-462K04(LF) AND 77311-462K05(LF)

C = HIGHT RETENTION FEATURES, SEE SHEET 2

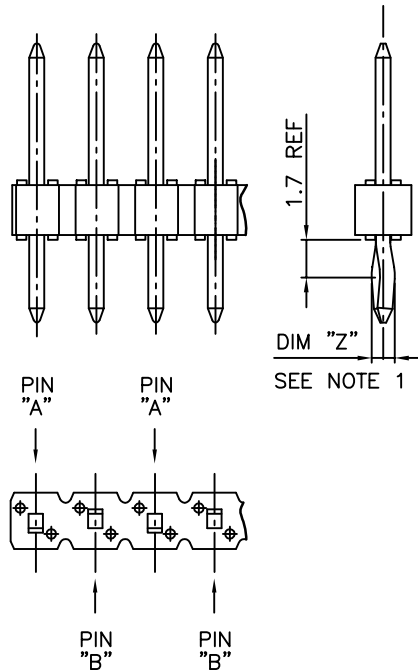
R = RETENTION FEATURES, SEE SHEET 2  
IF RETENTION FEATURE "R" AND TUBE PACKAGING "T" ARE BOTH REQUIRED  
OPTIONAL LETTER "R" WILL APPEAR INSTEAD OF THE FIRST DASH  
EXAMPLE : 77311R424T03LF



BERGSTRIK HEADER REEL PACKAGING DIMENSIONS

mat'l. code SEE NOTES		surface ISO 1302	tolerance ISO 406 ISO 1101	projection	product family BERGSTIK
ltr	ecn no	dr	date	tolerances unless otherwise specified	title
BG	F08-0148	RTR	08.03.31	angles	UNSHR.HEADER STR SR TMT
BH	F08-0250	LMU	08.12.16	linear	
BJ	F09-0078	LMU	09.08.24	.x ±0.3	mm
BK	F09-0095	JCO	09.11.02	.xx ±0.15	scale 5:1
BL	F10-0091	LMU	11.05.23	.xxx ±0.05	dwg no
BM	F11-0074	JCO	11.06.20		sheet 1 of 2
BN	F11-0307	LMU	11.09.26		size
sheet	revision	BN	BF		77311
index	sheet	1	2		A3
					type
					CUSTOMER
					Drawing

RETENTION FEATURES



1.7 REF

DIM "Z"  
SEE NOTE 1

CORE RANGE				
PLATING	PIN STYLE	MATING	SOLDER	OAL
1	01	5.84	2.41	10.8
1	18	5.84	3.05	11.43

PLATING  
1 = 0.76µm GOLD/GXT ON CONTACT AREA  
3.81µm TIN/LEAD ON TAIL

- WHEN "LF" IS REQUIRED, 2µm MATTE TIN OVER 1.27µm MIN NICKEL IS PROVIDED INSTEAD OF TIN-LEAD

CATALOGUE RANGE				
PLATING	PIN STYLE	MATING	SOLDER	OAL
4/8	01	5.84	2.41	10.8
1/4/8	02	5.84	3.42	11.8
4/8	18	5.84	3.05	11.43
1/4/8	22	7.75	3.05	13.35
1/4/8	24	6.75	2.9	12.2
1/4/8	27	6.6	2.65	11.8

APPLICATION SPECIFIC				
PLATING	PIN STYLE	MATING	SOLDER	OAL
1/4/8	03	5.72	5.09	13.35
1/4/8	05	5.72	10.14	18.4
1/4/8	15	8.51	2.55	13.6
1/4/8	19	12.83	3.03	18.4
1/4/8	20	15.37	3.04	20.95
1/4/8	26	15.57	2.84	20.95
1/4/8	29	17.5	3.46	23.5
1/4/8	32	10.3	3.05	15.9
1/4/8	38	5.84	3.82	12.2
1/4/8	46	8.08	2.98	13.6
1/4/8	58	14.47	3.05	20.06
1/4/8	62	13.5	3.05	19.09
1/4/8	70	6.54	3.50	12.57
1/4/8	83	20.46	3.00	26.00
1/4/8	85	5.72	8.51	16.76
1/4/8	87	6.98	3.05	12.57
1/4/8	91	5.6	10.21	18.35
1/4/8	92	5.65	12.76	20.95
1/4/8	93	6.00	4.81	13.35
1/4/8	94	15.60	3.20	21.25
1/4/8	95	10.00	8.45	20.95
1/4/8	96	10.95	3.05	16.55
1/4/8	97	9.00	3.55	15.09
1/4/8	98	3.00	1.35	6.84
1/4/8	99	24.00	3.05	29.50

NOTE 6

RETENTION FEATURES :

- 1 - PART NUMBER 77311-XXXXXXLF: DIM "Z"=(0.99)  
PART NUMBER 77311-XXXXXXLF: DIM "Z"= 1.05MIN -1.15MAX
- 2 - PINS "A" AND "B" USED FOR RETENTION.
- 3 - DIRECTION OF RETENTION SHOWN BY ARROWS.
- 4 - ON 4 TO 36 POSITIONS HEADER; RETENTION IS IN MID POSITION OF HEADER (4 CENTRAL PINS)
- 5 - FOR RETENTION OPTION , SOLDER TAIL LENGTH TO BE 2.9 MIN UP TO 3.5 MAX.

PLATING SPECIFICATIONS :

- 6 - 8.0MM GOLD / GXT PLATING AREA FROM PIN TIP ON MATING SIDE

PLATING

- 1 = 0.76µm GOLD/GXT ON CONTACT AREA 3.81µm TIN-LEAD ON TAIL
- 4 = 3.81µm TIN-LEAD ON CONTACT AREA 3.81µm TIN-LEAD ON TAIL
- 8 = 0.38µm GOLD/GXT ON CONTACT AREA 3.81µm TIN-LEAD ON TAIL

- WHEN "LF" IS REQUIRED, 2µm MATTE TIN OVER 1.27µm MIN NICKEL PROVIDED INSTEAD OF TIN-LEAD

mat'l. code		surface <input checked="" type="checkbox"/> ISO 1302		tolerance <input checked="" type="checkbox"/> ISO 406 <input type="checkbox"/> ISO 1101		projection		product family BERGSTIK	
ltr		ecn no		dr		date		title	
BD		F10-009		LMU		11.05.23		UNSHR.HEADER	
BE		F11-0074		JCO		11.06.20		STR SR TMT	
BF		F11-0307		LMU		11.09.26		scale N/A	
				dr		D.LE		01.01.24	
BA		F08-0250		LMU		08.12.16		enrg JM.C 01.01.24	
BB		F09-0078		LMU		09.08.24		chr JM.C 01.01.24	
BC		F09-0095		LMU		09.09.17		appd JF.N 01.01.24	
sheet index		revision sheet						FCJ	
								dwg no 77311 sheet 2 of - size A3	
								type CUSTOMER Drawing	