

PRODUCT NUMBER

71918-YXXLF

WHEN REQUIRED, ADD SUFFIX LETTER "LF"
INDICATES THE PRODUCT IS RoHS
COMPATIBLE, SEE NOTE 10

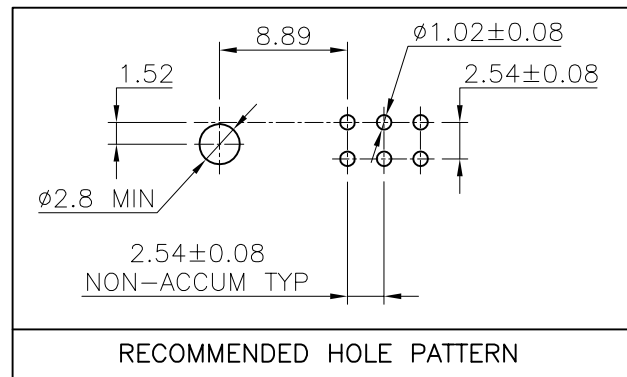
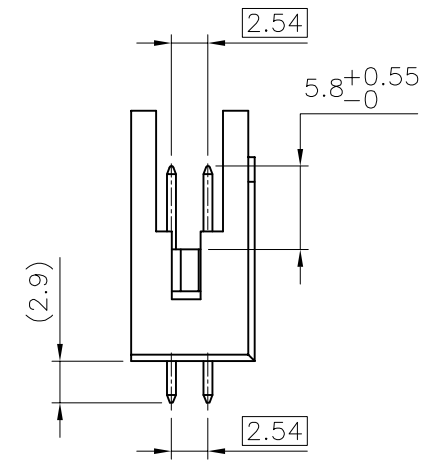
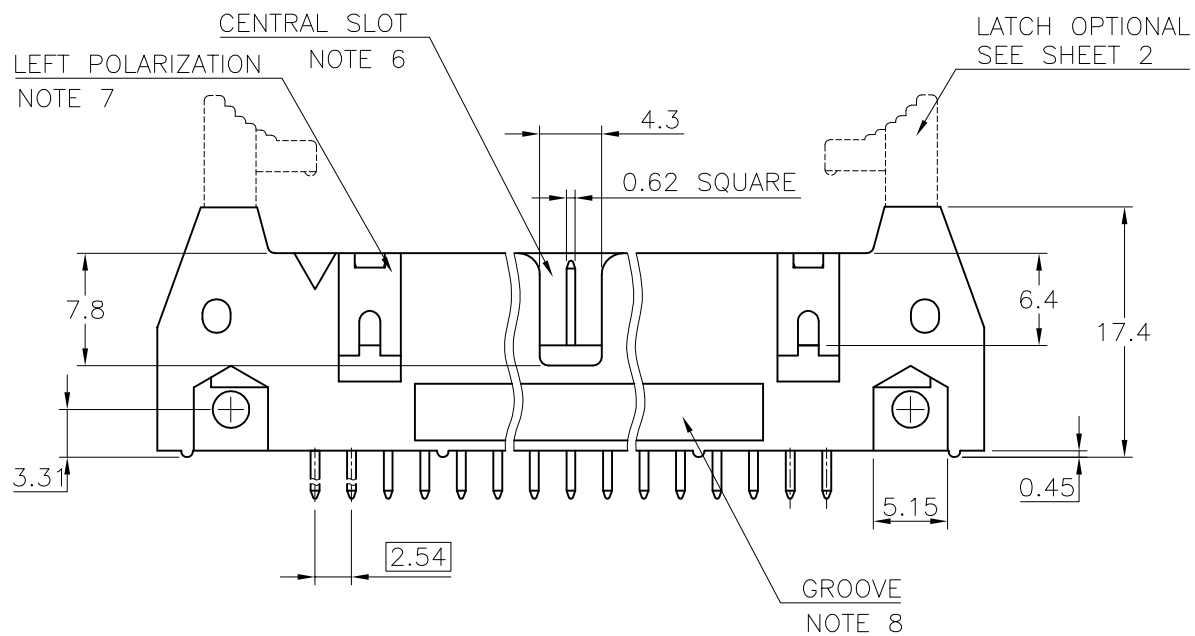
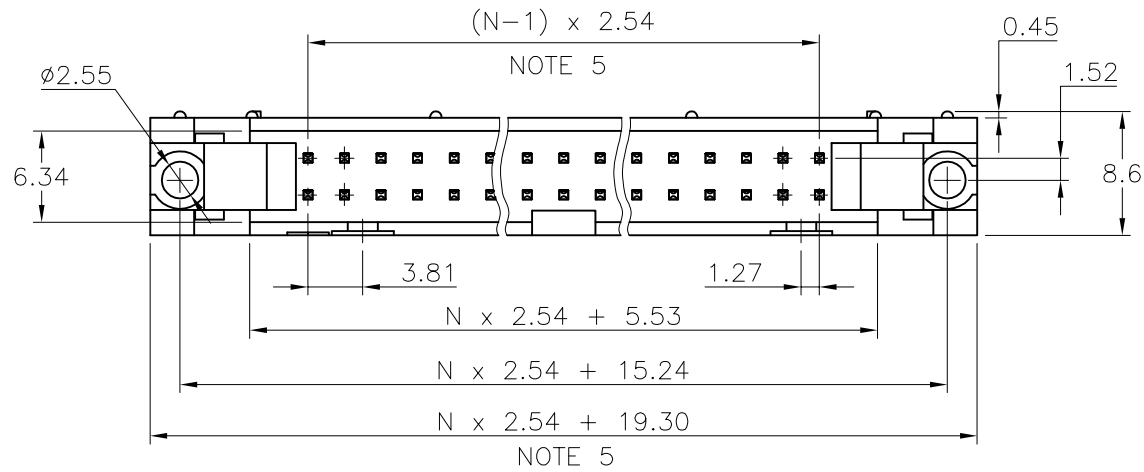
TOTAL NB OF POSITIONS, SEE SHEET 2

LATCHING

- 0= WITHOUT LATCH
- 1= STANDARD LATCH
- 2= LOW PROFILE LATCH

NOTES:

- 1 - HOUSING MAT'L : GLASS FILLED THERMOPLASTIC. UL94V-0 COLOR: GREY
- 2 - PIN MATERIAL : PHOSPHOR BRONZE
- 3 - PRODUCT PACKAGED IN TUBES
- 4 - 40N MIN LATCH RETENTION FORCE AT FIRST EXTRACTION
- 5 - TO DETERMINE DIMENSIONS :
N = NUMBER OF POSITIONS PER ROW
EXAMPLE : 8 POS N x 2.54 = 20.32mm
- 6 - NO CENTRAL SLOT ON POSITIONS 6 & 8
- 7 - NO LEFT POLARIZATION ON POSITIONS 06, 08, 10, 14.
- 8 - NO GROOVE ON POSITIONS 06, 08, 10, 14, 30, 34
- 9 - 4.5mm SOLDER TAIL
ORDER 71918-4XX (WITH STANDARD LATCH ONLY)
- 10 - RoHS COMPATIBLE PRODUCT SPECIFICATIONS
 - a - PLATING:
- "LF" MEANS THE PRODUCT IS LEAD-FREE,
2µm MINIMUM MATTE TIN OVER 1.27µm
MINIMUM NICKEL UNDERPLATE.
 - b - MANUFACTURING PROCESS COMPATIBILITY
- THE HOUSING WILL WITHSTAND EXPOSURE TO
260°C ±5°C SOLDER BATH TEMPERATURE FOR
5 SECONDS IN A WAVE SOLDER APPLICATION
WITH A 1.6mm MIN THICK CIRCUIT BOARD.
 - c - LABELING:
- MEETS PACKAGING SPECS AS PER GS-14-920
 - d - LEGAL STATEMENT: SEE GS-22-008.



mat'l. code SEE NOTES				surface ISO 1302	tolerance ISO 406 ISO 1101	projection	product family QUICKIE
ltr	ecn no	dr	date	tolerances unless otherwise specified		mm	title SHR.EL.HEADER STR DR TMT
R	F04-0198	LMU	04.05.28	angles	.X ±0.3		dwg no 71918
S	F04-0389	LMU	04.12.20	linear	.XX ±0.13	scale 2:1	sheet 1 of 2
T	F06-0229	LMU	06.07.17		.XXX ±0.05		size A3
U	F07-0195	LMU	07.05.25	dr	D.LE 01.01.24	FCJ	type CUSTOMER Drawing
V	F08-0146	YOV	08.04.11	enr	JM.C 01.01.24		
				chr	JF.N 01.01.24		
P	F04-0176	LMU	04.04.22	appd	JM.C 01.01.24		
sheet index	revision sheet	V	S				
		1	2				



FCIconnect.com

Copyright FCI



1

2 3

4

5

6

CORE RANGE

LATCHING	NUMBER OF POSITIONS
1	06
1	08
1	10
1	14
1	16
1	18
1	20
1	26
1	30
1	34
1	40
1	44
1	50
1	60
1	64

CATALOGUE RANGE

LATCHING	NUMBER OF POSITIONS
0/2	06
0/2	08
0/2	10
0/2	14
0/2	16
0/2	18
0/2	20
0/2	26
0/2	30
0/2	34
0/2	40
0/2	44
0/2	50
0/2	60
0/2	64

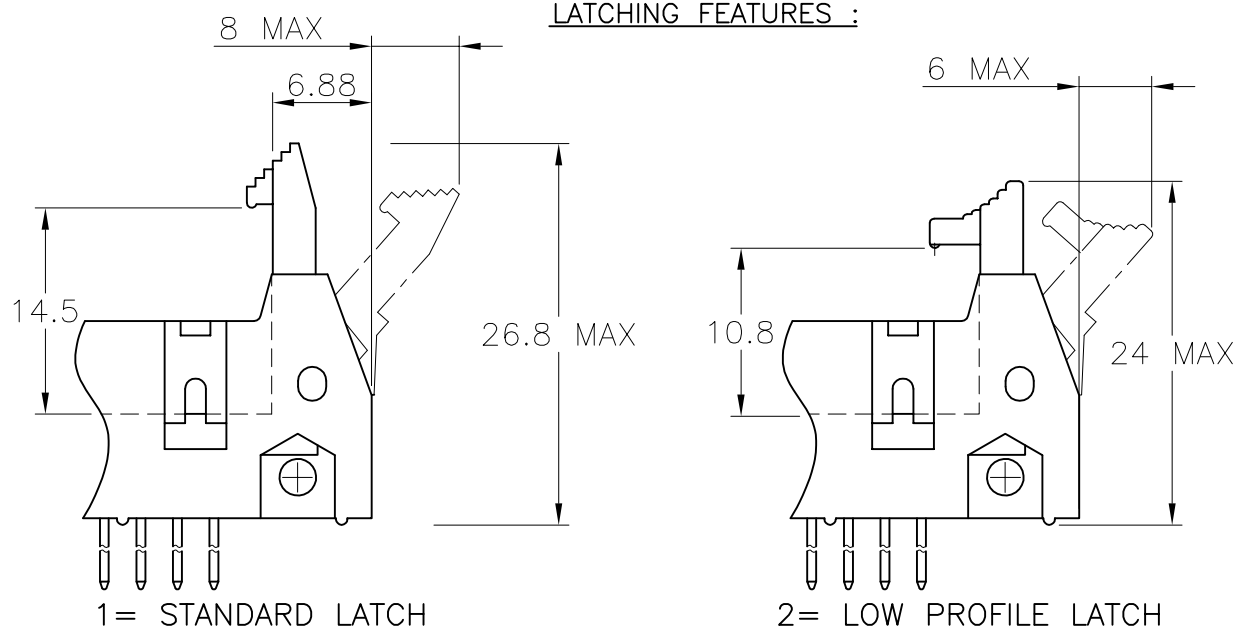
PLATING :

- 0.76µm GOLD/GXT
(PdNi WITH GOLD FLASH) ON CONTACT AREA
3.81µm TIN-LEAD ON TAIL
UNDERPLATE : 1.27µm Ni MIN
- WHEN SUFFIX LETTER "LF" IS REQUIRED,
2µm MIN MATTE TIN OVER 1.27µm MIN
NICKEL IS PROVIDED INSTEAD OF TIN-LEAD

PLATING :

- 0.76µm GOLD/GXT
(PdNi WITH GOLD FLASH) ON CONTACT AREA
3.81µm TIN-LEAD ON TAIL
UNDERPLATE : 1.27µm Ni MIN
- WHEN SUFFIX LETTER "LF" IS REQUIRED,
2µm MIN MATTE TIN OVER 1.27µm MIN
NICKEL IS PROVIDED INSTEAD OF TIN-LEAD

LATCHING FEATURES :



mat'l. code				surface ISO 1302 ✓		tolerance ISO 406 ISO 1101		projection mm		product family QUICKIE	
ltr	ecn no	dr	date	tolerances unless otherwise specified		.X ±0.3		mm		title SHR.EL.HEADER STR DR TMT	
R	F07-0195	LMU	07.05.25	angles		.XX ±0.15		scale 2:1		dwg no 71918	
S	F08-0146	YOV	08.04.11	linear		.XXX ±0.05		FCJ		sheet 2 of - size A3	
L	F10309	DLE	01.05.10	dr	D.LE	01.01.24	type CUSTOMER Drawing				
M	F04-0176	LMU	04.04.22	enr	JM.C	01.01.24					
N	F04-0389	LMU	04.12.22	chr	JF.N	01.01.24					
P	F06-0229	LMU	06.07.17	appd	JM.C	01.01.24					
sheet index	revision sheet										

form: A3

1

2

3

4

5

6