



FCIconnect.com

Copyright FCI.

List of "SFW__R-3/4STE9LF" customer document

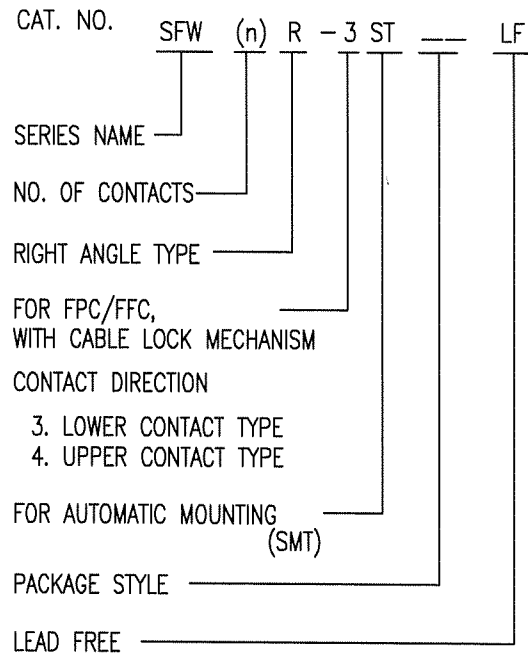
DOCUMENT NO.	LIST
SC-SFW11	SPEC.
10117478 Sheet2	CAT.NO.TABLE FOR 1mm CONTACT SPACING SMT CONNECTOR (SFW__R-3/4ST__LF)
10117478 Sheet3	1mm SPACING SMT CONNECTOR (SFW__R-3ST__LF)
10117478 Sheet4	1mm SPACING SMT CONNECTOR (SFW__R-4ST__LF)
10117478 Sheet5	CAT.NO.TABLE FOR PLASTIC TAPE PACKAGED 1mm SPACING SMT CONNECTOR (SFW__R-3/4STE9LF)
10117478 Sheet6	PLASTIC TAPE PACKAGED 1mm SPACING SMT CONNECTOR (SFW__R-3STE9LF)
10117478 Sheet7	PLASTIC TAPE PACKAGED 1mm SPACING SMT CONNECTOR (SFW__R-4STE9LF)
10117478 Sheet8	RECOMMENDED CABLE (FPC) (SFW__R-3/4ST__)
GS-20-130	HANDLING PROCEDURES

mat'l. code		surface		tolerance		projection		product family		CODE	
-		ISO 1302		ISO 406				58RF		JP	
ltr	ecn no	dr	date	tolerances unless otherwise specified				title			
A	J11-0050	S.W	2011-2-17	angles linear				1mm SPACING FPC CONNECTOR DOCUMENT LIST (Cat. No. : SFW__R-3/4STE9LF)			
				dr				mm		scale	
				engr						dwg no	
				chr				X		sheet 1 of 8	
				appd				FCI		10117478	
										size	
										A4	
										type	
										Product Customer Drawing	
sheet index	revision sheet	A	A	A	A	A	A	A	A	Rev.	A
		1	2	3	4	5	6	7	8		

form: A4

CAT. NO. & DIMENSIONS

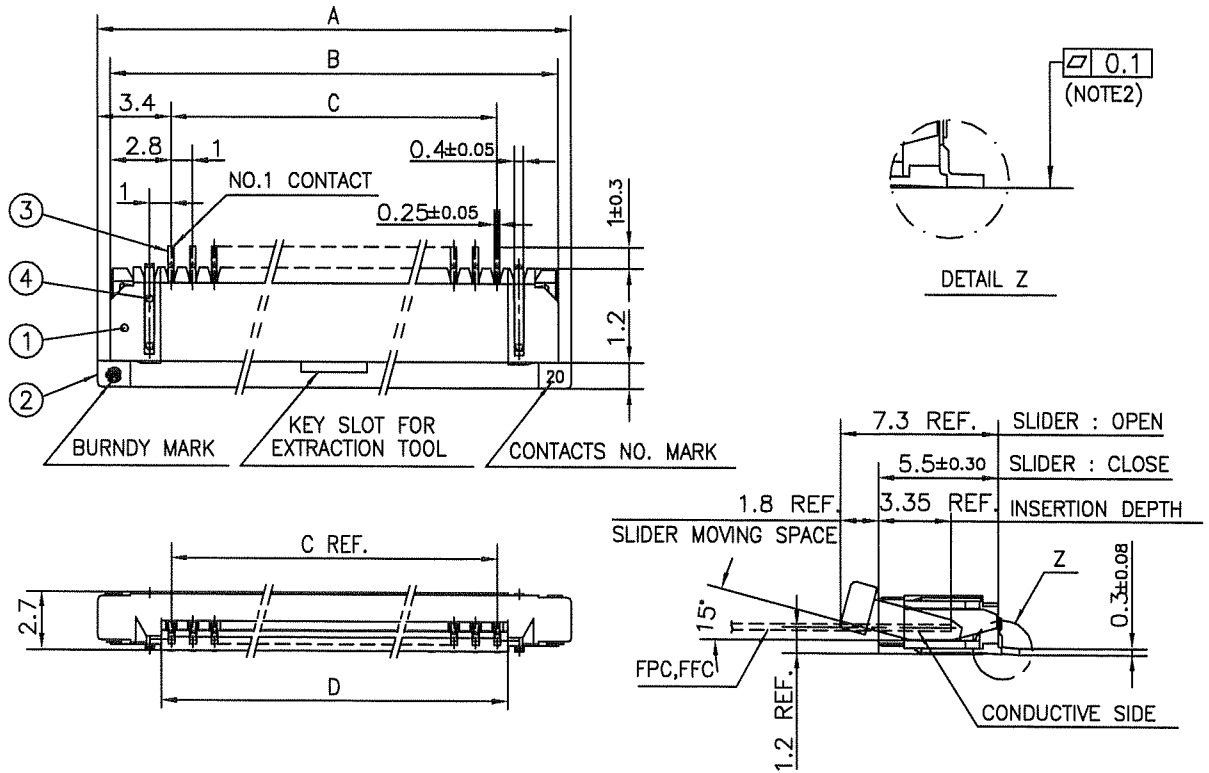
NO. OF CONTACTS (n)	CAT. NO.	DIMENSIONS (NOTE2)			
		A ± 0.2	B ± 0.2	C ± 0.2	D ± 0.1
4	SFW4R-3/4ST__LF	9.8	8.6	3.0	3.92
5	SFW5R-3/4ST__LF	10.8	9.6	4.0	4.92
6	SFW6R-3/4ST__LF	11.8	10.6	5.0	5.92
7	SFW7R-3/4ST__LF	12.8	11.6	6.0	6.92
8	SFW8R-3/4ST__LF	13.8	12.6	7.0	7.92
9	SFW9R-3/4ST__LF	14.8	13.6	8.0	8.92
10	SFW10R-3/4ST__LF	15.8	14.6	9.0	9.92
11	SFW11R-3/4ST__LF	16.8	15.6	10.0	10.92
12	SFW12R-3/4ST__LF	17.8	16.6	11.0	11.92
13	SFW13R-3/4ST__LF	18.8	17.6	12.0	12.92
14	SFW14R-3/4ST__LF	19.8	18.6	13.0	13.92
15	SFW15R-3/4ST__LF	20.8	19.6	14.0	14.92
16	SFW16R-3/4ST__LF	21.8	20.6	15.0	15.92
17	SFW17R-3/4ST__LF	22.8	21.6	16.0	16.92
18	SFW18R-3/4ST__LF	23.8	22.6	17.0	17.92
19	SFW19R-3/4ST__LF	24.8	23.6	18.0	18.92
20	SFW20R-3/4ST__LF	25.8	24.6	19.0	19.92
21	SFW21R-3/4ST__LF	26.8	25.6	20.0	20.92
22	SFW22R-3/4ST__LF	27.8	26.6	21.0	21.92
23	SFW23R-3/4ST__LF	28.8	27.6	22.0	22.92
24	SFW24R-3/4ST__LF	29.8	28.6	23.0	23.92
25	SFW25R-3/4ST__LF	30.8	29.6	24.0	24.92
26	SFW26R-3/4ST__LF	31.8	30.6	25.0	25.92
27	SFW27R-3/4ST__LF	32.8	31.6	26.0	26.92
28	SFW28R-3/4ST__LF	33.8	32.6	27.0	27.92
29	SFW29R-3/4ST__LF	34.8	33.6	28.0	28.92
30	SFW30R-3/4ST__LF	35.8	34.6	29.0	29.92



NOTES

1. THIS PRODUCT IS THE CONNECTOR USED FOR FPC/FFC AND COPE WITH AUTOMATIC MOUNTING (SMT).
2. SEE PART DRAWINGS FOR DIMENSIONS A~D.
3. THIS PRODUCT IS THE CONNECTOR WITH CABLE LOCK MECHANISM.

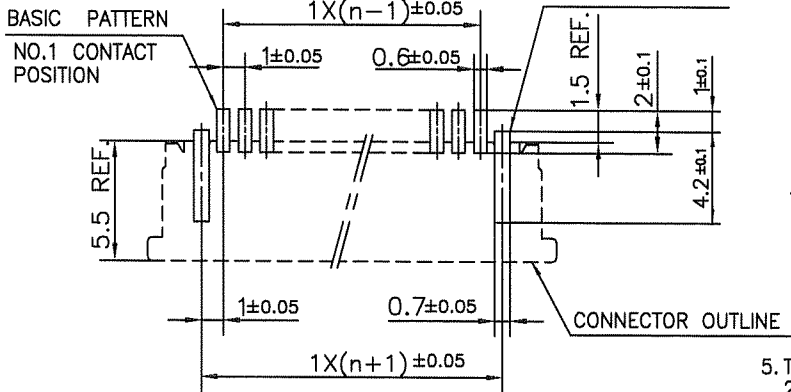
mat'l. code		surface 58 / ISO 1302		tolerance ISO 406 / ISO 1101		projection		product family 58RF		CODE JP	
ltr		ecn no		dr		date		title		CAT NO. TABLE FOR 1mm SPACING SMT CONNECTOR (Cat. No. SFW__R-3/4ST__LF)	
A								mm		scale X	
sheet index		revision sheet		dr		engr		dwg no		sheet 2 of 8 size A4	
				2011-2-17		2011-2-17		10117478			
				2011-2-17		2011-2-17		type Product Customer Drawing			
				2011-2-17		2011-2-17				Rev. A	



PT. NO.	PARTS NAME	MATERIAL	Q'TY	NOTE
1	HOUSING	PPS RESIN GLASS REINFORCED (UL94V-0)	1	COLOR : BLACK
2	SLIDER	PPS RESIN GLASS REINFORCED (UL94V-0)	1	COLOR : BROWN
3	CONTACT	PHOSPHOR BRONZE	n	PLATING : MATTE TIN
4	MOUNTING PLATE		2	

n : NO. OF CONTACTS

RECOMMENDED PC BOARD LAYOUT (COMPONENT SIDE)



NOTES

1. THIS PRODUCT IS THE CONNECTOR USED FOR FPC/FFC AND COPES WITH AUTOMATIC MOUNTING (SMT).
2. FLATNESS FOR CONTACT TERMINAL HOUSING MUST BE WITHIN TOLERANCE IN Z PORTION DETAILED DRAWING.
3. THIS PRODUCT IS LOWER CONTACT TYPE CONNECTOR WITH CABLE LOCK MECHANISM.
4. THIS PRODUCT MEETS EUROPEAN UNION DIRECTIVES AND OTHER COUNTRY REGULATIONS AS DESCRIBED IN GS-22-008

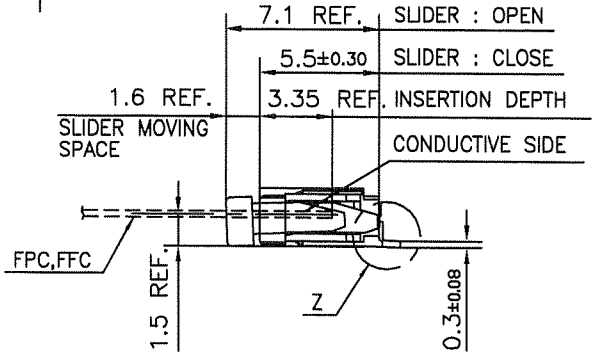
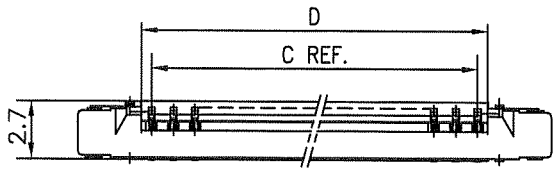
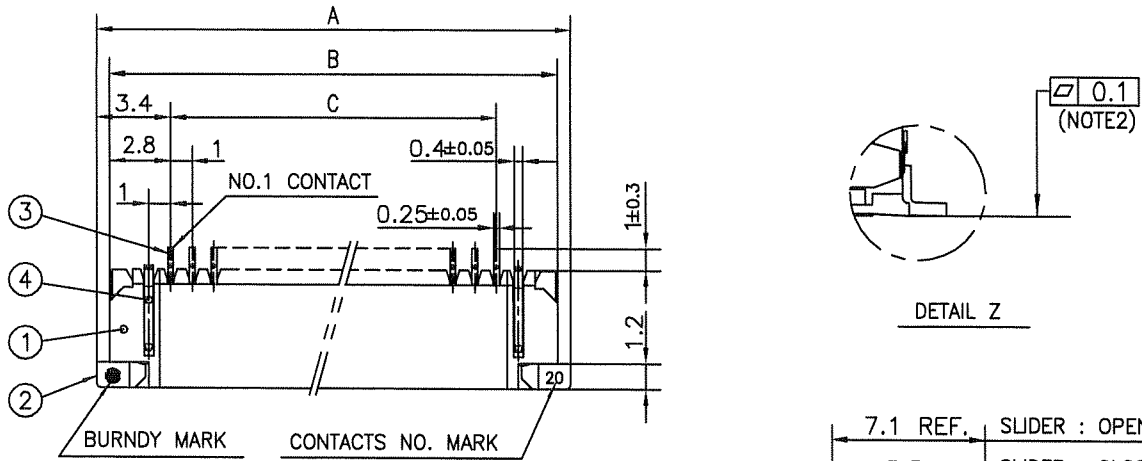
5. THE HOUSING WILL WITHSTAND EXPOSURE TO 260°C PEAK TEMPERATURE FOR 10 SECONDS IN A REFLOW SOLDERING OVEN.

mat'l. code		surface 58 ISO 1302		tolerance ISO 406 ISO 1101		projection mm		product family 58RF		CODE JP	
ltr		ecn no		dr		date		title		1mm SPACING SMT CONNECTOR (Cat. No. SFW__R-3ST__LF)	
A								scale		X	
sheet index		revision sheet		dr		S. W. [Signature]		2011-2-17		sheet 3 of 8	
				enrg		S. W. [Signature]		2011-2-17		size A4	
				chr		Y. Ramon [Signature]		2011-2-17		dwg no 10117478	
				appd		[Signature]		6/18/11		type Product Customer Drawing	
										Rev. A	



Copyright FCI.

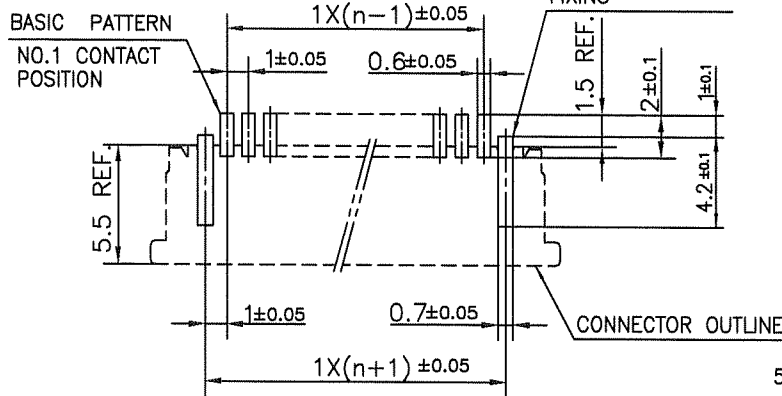




PT. NO.	PARTS NAME	MATERIAL	Q'TY	NOTE
1	HOUSING	PPS RESIN GLASS REINFORCED (UL94V-0)	1	COLOR : BLACK
2	SLIDER		1	COLOR : BROWN
3	CONTACT	PHOSPHOR BRONZE	n	PLATING : MATTE TIN
4	MOUNTING PLATE		2	

n : NO. OF CONTACTS

RECOMMENDED PC BOARD LAYOUT
(COMPONENT SIDE)



NOTES

1. THIS PRODUCT IS THE CONNECTOR USED FOR FPC/FFC AND COPES WITH AUTOMATIC MOUNTING (SMT).
2. FLATNESS FOR CONTACT TERMINAL HOUSING MUST BE WITHIN TOLERANCE IN Z PORTION DETAILED DRAWING.
3. THIS PRODUCT IS UPPER CONTACT TYPE CONNECTOR WITH CABLE LOCK MECHANISM.
4. THIS PRODUCT MEETS EUROPEAN UNION DIRECTIVES AND OTHER?COUNTRY REGULATIONS AS DESCRIBED IN GS-22-008

5. THE HOUSING WILL WITHSTAND EXPOSURE TO 260°C PEAK TEMPERATURE FOR 10 SECONDS IN A REFLOW SOLDERING OVEN.

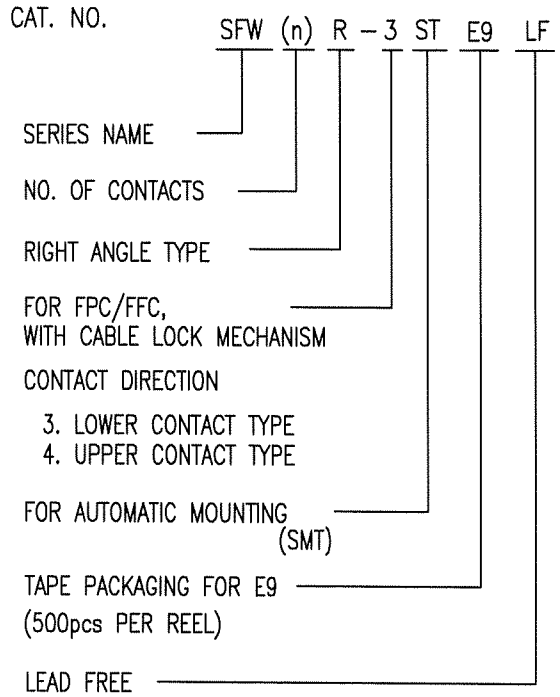
mat'l. code		surface 58 / tolerance ISO 1302 / ISO 406 / ISO 1101		projection		product family 58RF		CODE JP	
ltr		ecn no		dr		date		tolerances unless otherwise specified	
A								±0.2	
				angles		linear		mm	
								scale X	
		dr		S. M. Thakur		2011-2-17		dwg no	
		enrg		S. M. Thakur		2011-2-17		sheet 4 of 8	
		chr		Y. Ramcharan		2011-2-17		size	
		appd		[Signature]		[Signature]		10117478	
sheet index		revision sheet						type Product Customer Drawing	
D								Rev. A	



Copyright FCI.

CAT. NO. & DIMENSIONS

NO. OF CONTACTS (n)	CAT. NO. (NOTE2)	DIMENSIONS (NOTE3)		
		E MAX.	F ± 0.3	G ± 0.1
4	SFW4R-3/4STE9LF	22.4	16	—
5	SFW5R-3/4STE9LF	30.4	24	—
6	SFW6R-3/4STE9LF	30.4	24	—
7	SFW7R-3/4STE9LF	30.4	24	—
8	SFW8R-3/4STE9LF	30.4	24	—
9	SFW9R-3/4STE9LF	30.4	24	—
10	SFW10R-3/4STE9LF	30.4	24	—
11	SFW11R-3/4STE9LF	30.4	24	—
12	SFW12R-3/4STE9LF	30.4	24	—
13	SFW13R-3/4STE9LF	38.4	32	28.4
14	SFW14R-3/4STE9LF	38.4	32	28.4
15	SFW15R-3/4STE9LF	38.4	32	28.4
16	SFW16R-3/4STE9LF	38.4	32	28.4
17	SFW17R-3/4STE9LF	50.4	44	40.4
18	SFW18R-3/4STE9LF	50.4	44	40.4
19	SFW19R-3/4STE9LF	50.4	44	40.4
20	SFW20R-3/4STE9LF	50.4	44	40.4
21	SFW21R-3/4STE9LF	50.4	44	40.4
22	SFW22R-3/4STE9LF	50.4	44	40.4
23	SFW23R-3/4STE9LF	50.4	44	40.4
24	SFW24R-3/4STE9LF	50.4	44	40.4
25	SFW25R-3/4STE9LF	50.4	44	40.4
26	SFW26R-3/4STE9LF	50.4	44	40.4
27	SFW27R-3/4STE9LF	50.4	44	40.4
28	SFW28R-3/4STE9LF	62.4	56	52.4
29	SFW29R-3/4STE9LF	62.4	56	52.4
30	SFW30R-3/4STE9LF	62.4	56	52.4



NOTES

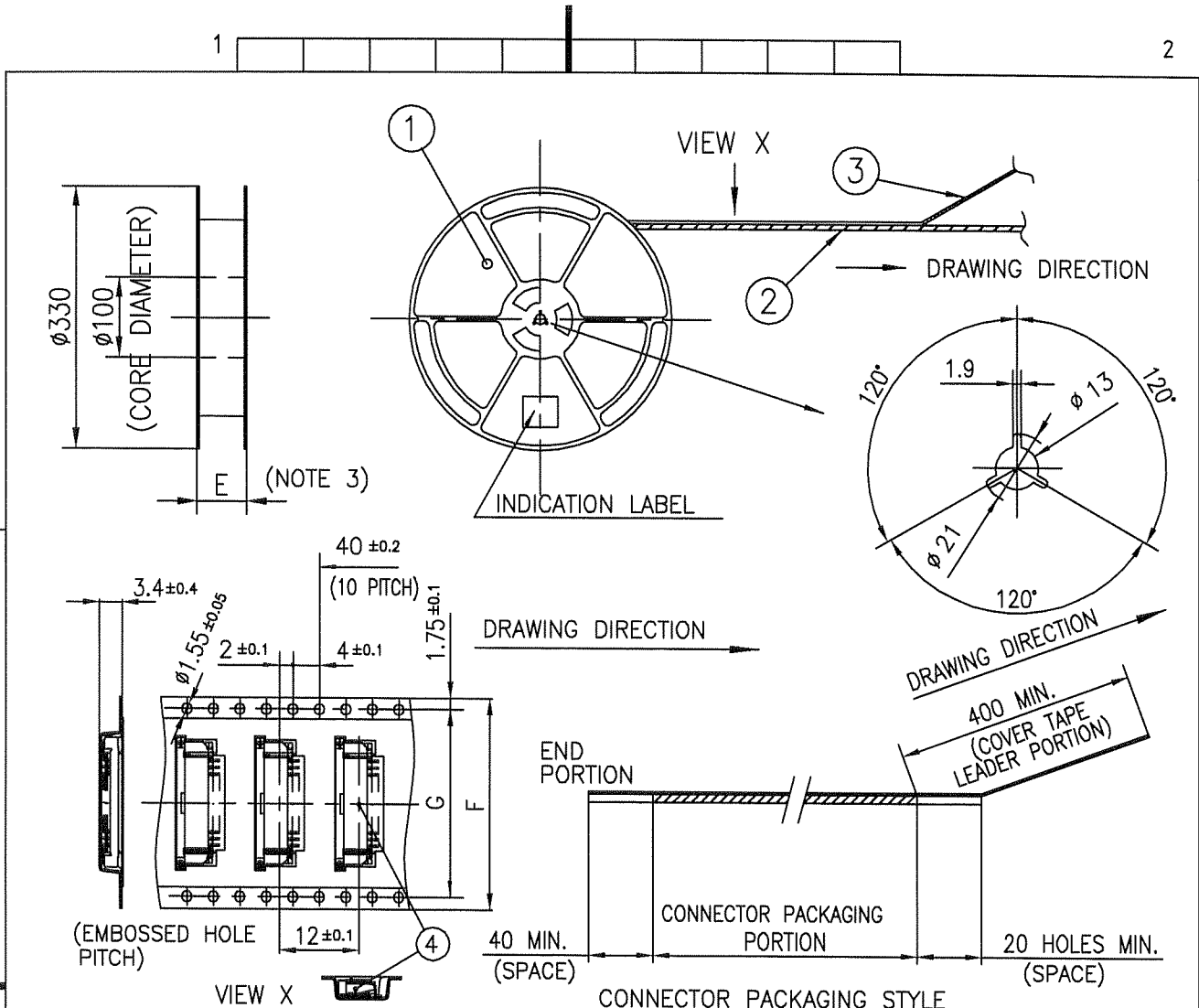
1. THIS PRODUCT IS THE CONNECTOR USED FOR FPC/FFC AND COPER WITH AUTOMATIC MOUNTING (SMT).
2. THIS CATALOG NO. INDICATES PLASTIC TAPE PACKAGED CONNECTOR.
3. SEE PART DRAWINGS FOR DIMENSIONS E~G.
4. THIS PRODUCT IS THE CONNECTOR WITH CABLE LOCK MECHANISM.

mat'l. code		surface 58 / tolerance ISO 1302 / ISO 406 / ISO 1101		projection		product family 58RF		CODE JP	
ltr	ecn no	dr	date	tolerances unless otherwise specified		title		dwg no	
A				angles linear		CAT NO. TABLE FOR PLASTIC TAPE PACKAGED 1mm SPACING SMT CONNECTOR (Cat. No. SFW__R-3/4STE9LF)		sheet 5 of 8 size	
				dr		mm		10117478 A4	
				engr		scale X		type Product Customer Drawing	
				chr		FCI		Rev. A	
				appd					
sheet index	revision sheet								



FCIconnect.com

Copyright FCI.

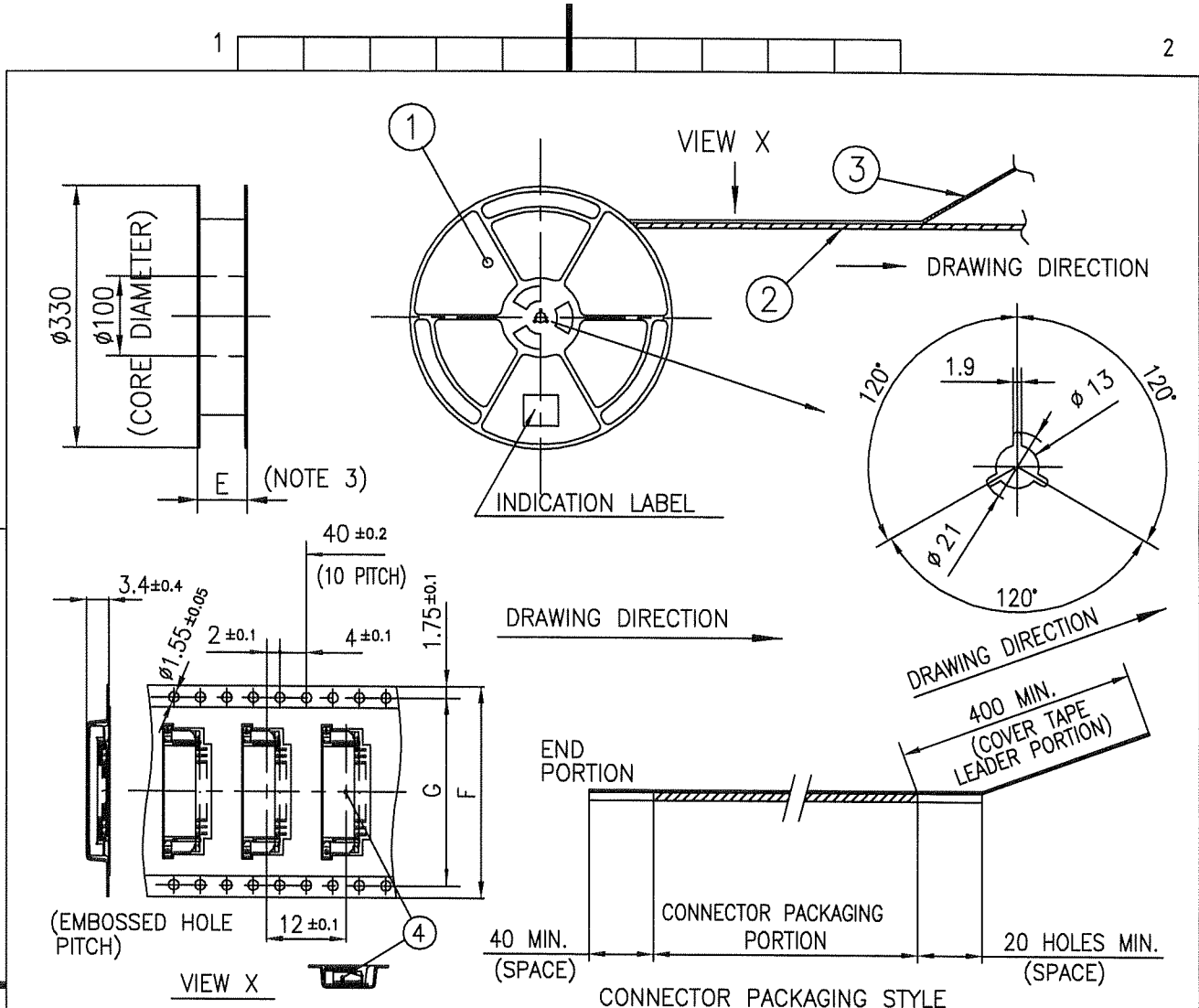


PT. NO.	PARTS NAME	CAT. NO.	MATERIAL	Q'TY	NOTE
1	REEL	_____	POLYSTYRENE	1	COLOR : WHITE/BLACK
2	PLASTIC (EMBOSS) TAPE	_____	PET	_____	COLOR : TRANSPARENCY (CLEAR)
3	COVER	_____	POLYESTER	_____	COLOR : TRANSPARENCY (CLEAR)
4	CONNECTOR	SFW__R-3ST__LF	SEE ATTACHED DWG.	500	LOWER CONTACT TYPE

NOTES

1. THIS IS PLASTIC TAPE PACKAGED CONNECTOR WITH CABLE LOCK MECHANISM USED FOR FPC/FFC AND COPEs WITH AUTOMATIC MOUNTING (SMT).
2. SEE JIS C 0806 (PACKING OF ELECTRONIC COMPONENTS ON CONTINUOUS TAPES (SURFACE MOUNTING DEVICES)) FOR SHAPE AND DIMENSIONS OF PLASTIC (EMBOSS) TAPE AND REEL.
3. E DIMENSION IS PORTION OF THE CORE.

mat'l. code		surface ISO 1302 <input checked="" type="checkbox"/>		tolerance ISO 406 <input checked="" type="checkbox"/>		projection		product family 58RF		CODE JP	
ltr		ecn no		dr		date		tolerances unless otherwise specified		title	
A								±5		PLASTIC TAPE PACKAGED 1mm SPACING SMT CONNECTOR (Cat. No. SFW__R-3STE9LF)	
				angles		linear		mm		dwg no	
				±5°				scale		sheet 6 of 8	
				dr		2011-2-17		FCI		size	
				enr		2011-2-17				A4	
				chr		2011-2-17				10117478	
				appd		[Signature]				type	
sheet index		revision sheet								Product Customer Drawing	
										Rev. A	



PT. NO.	PARTS NAME	CAT. NO.	MATERIAL	Q'TY	NOTE
1	REEL	_____	POLYSTYRENE	1	COLOR : WHITE/BLACK
2	PLASTIC (EMBOSS) TAPE	_____	PET	_____	COLOR : TRANSPARENCY (CLEAR)
3	COVER	_____	POLYESTER	_____	COLOR : TRANSPARENCY (CLEAR)
4	CONNECTOR	SFW_R-4ST_LF	SEE ATTACHED DWG.	500	UPPER CONTACT TYPE

NOTES

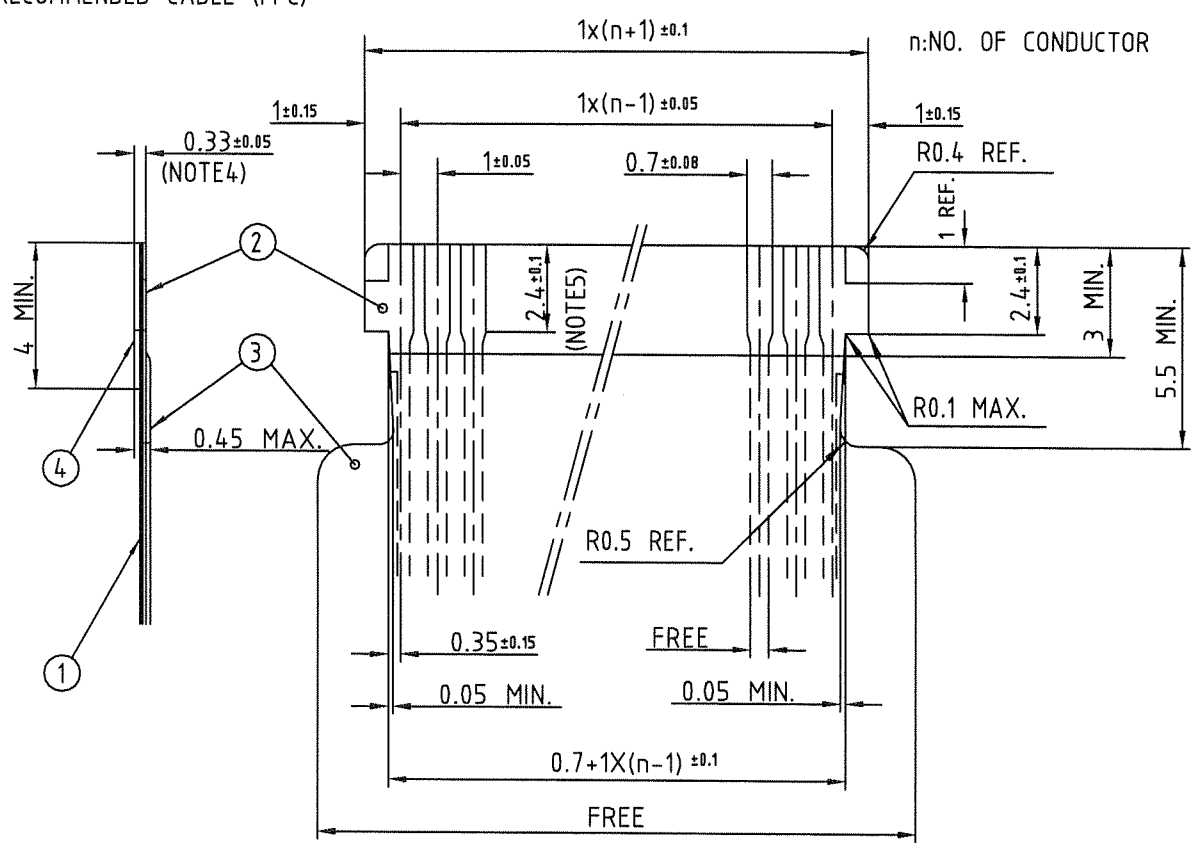
- THIS IS PLASTIC TAPE PACKAGED CONNECTOR WITH CABLE LOCK MECHANISM USED FOR FPC/FFC AND COPEs WITH AUTOMATIC MOUNTING (SMT).
- SEE JIS C 0806 (PACKING OF ELECTRONIC COMPONENTS ON CONTINUOUS TAPES (SURFACE MOUNTING DEVICES)) FOR SHAPE AND DIMENSIONS OF PLASTIC (EMBOSS) TAPE AND REEL.
- E DIMENSION IS PORTION OF THE CORE.

mat'l. code		surface ISO 1302 <input checked="" type="checkbox"/>		tolerance ISO 406 <input checked="" type="checkbox"/>		projection		product family 58RF		CODE JP	
ltr ecn no dr date		tolerances unless otherwise specified		angles linear ±5		mm		title PLASTIC TAPE PACKAGED 1mm SPACING SMT CONNECTOR (Cat. No. SFW_R-4STE9LF)			
A		dr		±5°		scale		dwg no 10117478		sheet 7 of 8 size A4	
sheet index		revision sheet		dr S. Smith 2011-2-17		FCI		type Product Customer Drawing			
				enrg S. Smith 2011-2-17				Rev. A			
				chr T. Kamada 2011-2-17							
				appd M. Smith Feb 8 2011							

This document is the property of and embodies CONFIDENTIAL and PROPRIETARY information of FCI. No part of the information shown on this document may be used in any way or disclosed to others without the written consent of FCI. Copyright FCI.

FCI CONFIDENTIAL

RECOMMENDED CABLE (FPC)



PT. NO.	PARTS NAME	MATERIAL	THICKNESS (um)
1	BASE FILM	POLYIMIDE OR POLYESTER OR EQUAL	25
2	CONDUCTOR	COPPER FOIL(PLATING : TIN OR SOLDER 1um MIN.)	35
3	OVERLAY	POLYIMIDE OR POLYESTER OR EQUAL	—
4	SUPPORTING TAPE	POLYESTER OR POLYIMIDE OR EQUAL	188

- NOTES
1. THIS DRAWING INDICATES THE FPC USED THE CONNECTOR WITH CABLE LOCK MECHANISM.
 2. NO BURR AT EACH PORTION.
 3. NO PEELING IN COMMON USE.
 4. TOTAL THICKNESS LIMIT OF EACH MATERIAL (INCLUDING ADHESIVE AGENT) IS SPECIFIED.
 5. THIS DIMENSION INDICATES THE RANGE FOR 0.7 ± 0.08 CONDUCTOR WIDTH.

mat'l. code				surface ISO 1302 <input checked="" type="checkbox"/>		tolerance ISO 406 <input checked="" type="checkbox"/> ISO 1101		projection 		product family 58RF		CODE JP			
ltr				ecn no		dr		date		title RECOMMENDED CABLE (Cat. No. SFW_R-3/4_)					
A															
				angles		linear		mm							
								scale							
				dr		2011-2-17				dwg no		sheet 8 of 8		size	
				enrg		2011-2-17				10117478		A4			
				chr		2011-2-17									
				appd		2011-2-17									
sheet index		revision sheet										Rev. A			