

1

2

3

4

PRODUCT NUMBER

10072354-X01-XXXLF

PLATING
S = 0.38µm GOLD/GXT ON CONTACT AREA
2µm MIN MATTE TIN ON TAIL
OVER 1.27µm MIN NICKEL

RoHS COMPATIBLE
NOTE 6

PACKAGING
NOTE 5

G = 0.76µm GOLD/GXT ON CONTACT AREA
2µm MIN MATTE TIN ON TAIL
OVER 1.27µm MIN NICKEL

TOTAL NB OF POSITIONS
04 TO 50 POS

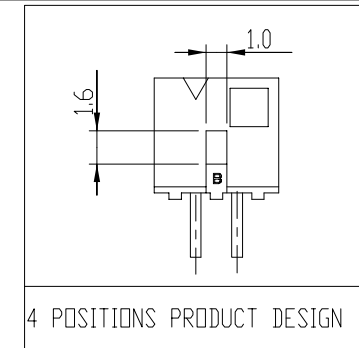
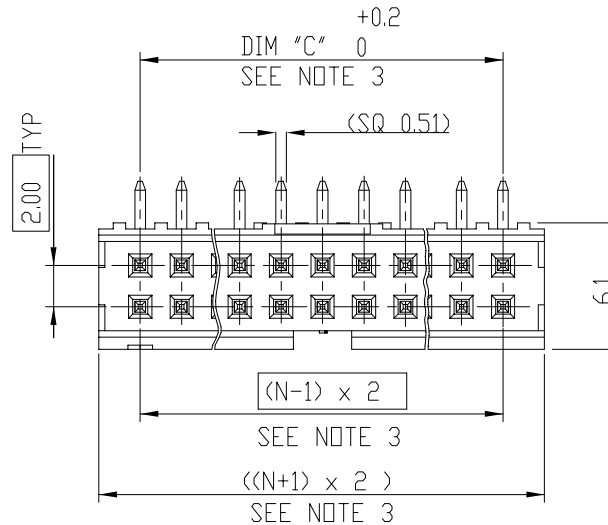
F = GOLD FASH ON CONTACT AREA
2µm MIN MATTE TIN ON TAIL
OVER 1.27µm MIN NICKEL

COLOR OPTION NOTE 1

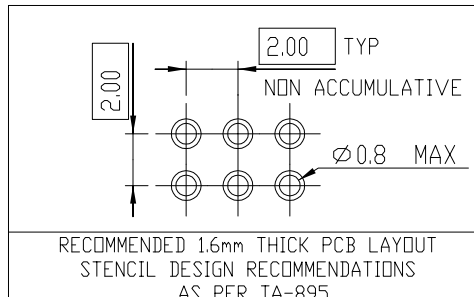
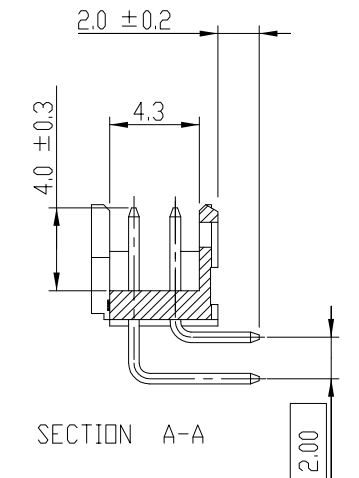
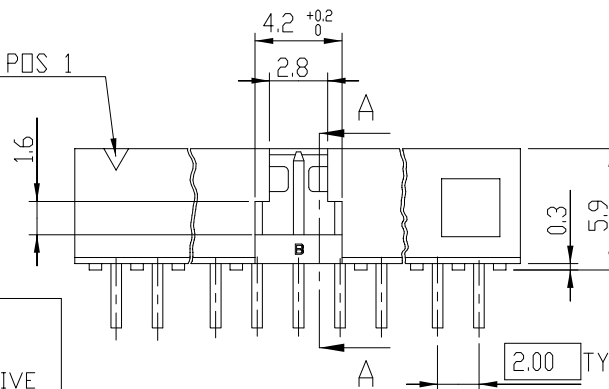
NOTES:

- 1. MATERIAL HOUSING: HIGH TEMP. THERMOPLASTIC UL-94V0
- = STANDARD COLOR CREAM
B = OPTIONAL COLOR BLACK
- 2. MATERIAL TERMINAL: COPPER ALLOY
- 3. TO DETERMINE DIMENSIONS:
N = NUMBER OF POSITIONS PER ROW.
- 4. 7N MIN PIN RETENTION IN EITHER DIRECTION.
- 5. PACKAGING :
= PLASTIC BOX
U = TUBE AVAILABLE FROM 06 TO 50 POS
K = TAPE & REEL WITHOUT PICK UP CAP
- 6. RoHS COMPATIBLE PRODUCT SPECIFICATIONS

- a - PLATING
= "LF" MEANS THE PRODUCT IS LEAD-FREE
2µm MINIMUM MATTE TIN OVER 1.27µm
MINIMUM NICKEL UNDERPLATE.
- b - MANUFACTURING PROCESS COMPATIBILITY
- THE HOUSING WITHSTAND EXPOSURE TO
260°C PEAK TEMPERATURE FOR
30 SECONDS MAX IN A CONVECTION, INRA-RED
OR VAPOR PHASE OR REFLOW OVEN.
- c - LABELLING:
- MEETS PACKAGING SPECS AS PER GS-14-920.
- d - THIS PRODUCT MEETS EUROPEAN DIRECTIVES
AND OTHER COUNTRY REGULATIONS AS DISCRIBED
IN GS-22-008



INDICATES POS 1



rev	ecn no	dr	date
A	F07-0105	LMU	07.01.10
B	F08-0113	LMU	08.01.17
C	F08-0145	ELA	15.04.08
D	F10-0013	GPE	23.02.10
E	F11-0303	LMU	12.09.11
F	F11-0324	LMU	24.10.11
-	-	-	-

www.fciconnect.com		surface - ✓	tolerance std	projection	mm
		ISO 1302	ISO 406 ISO 1101	ISO 1302	mm
		TOLERANCES UNLESS OTHERWISE SPECIFIED			
Dr	L MULIN	06.09.14	ANGULAR	0.X ±0.13	Scale 4:1
Eng	J COMPAGNON	06.09.14	LINEAR	0.XX ±0.05	
Chr	-	-	0° ±2°	0.XXX ±	
Appr	J.M.C	06.09.14	Product family	Minitek	ECN -
title SHR HEADER		dwg no 10072354		Rev. F	
2.00 RIGHT ANGLE PIP		CUSTOMER Drawing		sheet 1 of 1	
catalog no					



Copyright FCI.

1

2

3

4

PDM: Rev:F

STATUS:Released

Printed: Feb 09, 2012