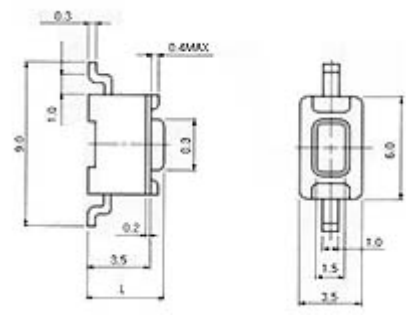


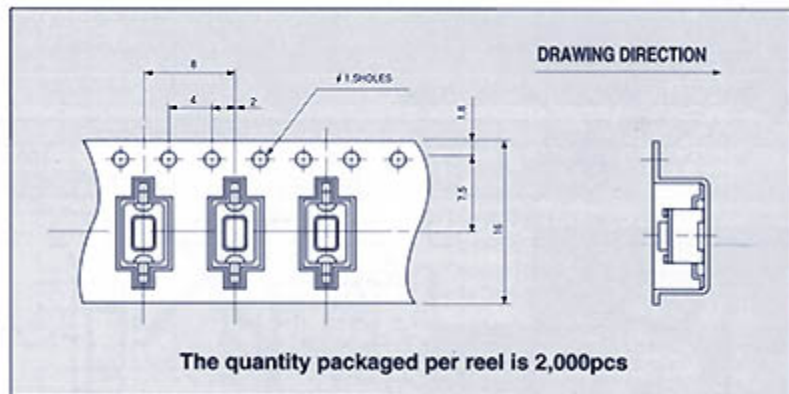
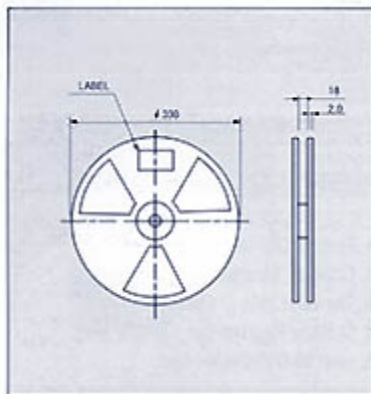
1. Contact : Mechanical Contact
2. Rating : DC12V 50mA
3. Travel :  $0.25 \pm 0.07$ mm/m
4. Operating Force :  $130 \pm 50$ gf

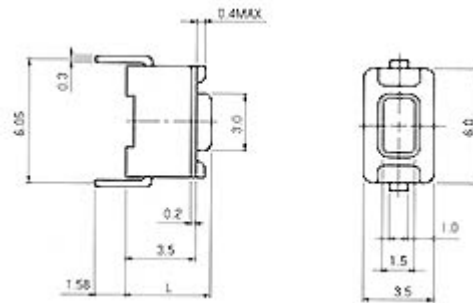
5. Contact Resistance : 100mΩMax
6. Life : 50,000 Cycles Min
7. Re-flow soldering



1. Contact : Mechanical Contact
2. Rating : DC12V 50mA
3. Travel :  $0.25 \pm 0.07$ mm/m

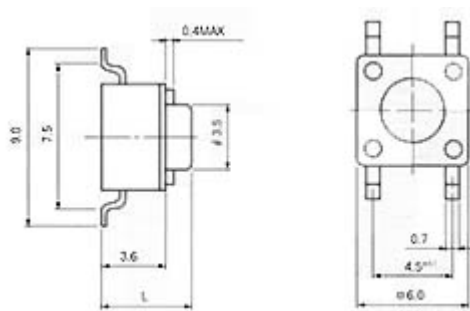
4. Contact Resistance : 100mΩMax
5. L : 4.3 or 5.0mm
6. Re-flow soldering





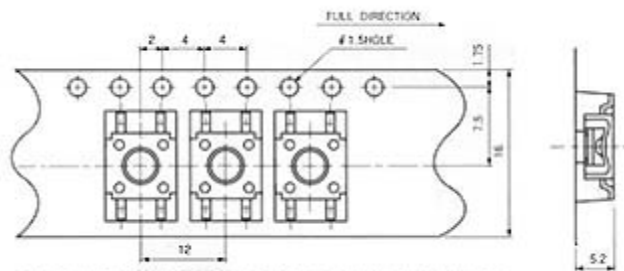
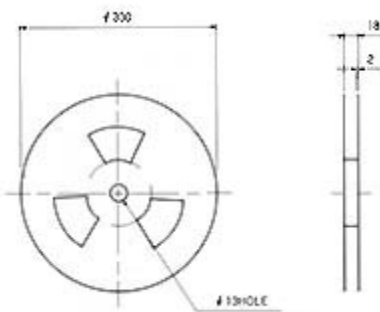
1. Contact : Mechanical Contact
2. Rating : DC12V 50mA
3. Travel :  $0.25 \pm 0.1$  m/m

4. Contact Resistance : 100mΩMax
5. L : 4.3 or 5.0mm
6. Re-flow soldering

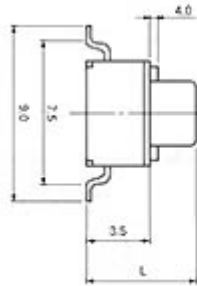


1. Contact : Mechanical Contact
2. Rating : DC12V 50mA
3. Travel :  $0.25 \pm 0.1$  m/m
4. Contact Resistance : 100mΩ Max
5. Re-flow soldering

OPERATING FORCE	STEM COLOR
160 ± 50gf	Ivory
260 ± 50gf	Ivory



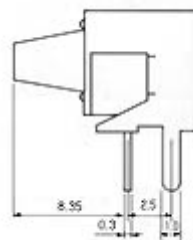
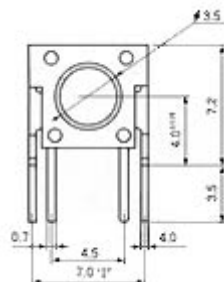
The quantity packaged per reel is 1,250 pcs



1. Contact :Mechanical Contact
2. Rating : DC12V50mA
- 3.Travel :0.25 ± 0.1 m/m
4. Contact Resistance : 100mΩ Max

OPERATING FORCE	STEM COLOR
160 ± 50gf	See Below
260 ± 50gf	White

MODEL NO.	TP1138 /I138Q	TP1138A /I138QA	TP1138B	TP1138C	TP1138D	TP1138E	TP1138F	TP1138G
L	4.3	5.0	9.5	8.0	13.0	7.3	8.5	7.0
Stem Color	Black /White	Black /White	Black	White	Black	Ivory	Black	Black
Package	Bluk/Tape reel		Bulk and stick(overall Length : 575m/m)					
Q'TY	2000PCS/1250PCS		Bluk 1000pcs Stick90pcs					
Terminal &Dome	Ag 0.5μ or Au 0.2μ							
Life	All 100,000cycles or 1,000,000cycles							
Soldering	Hand and auto/Re-flow			RE-flow soldering				
Material	Nylon66/ Nylon46			Nylon 46				

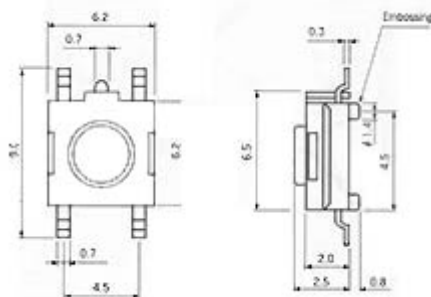
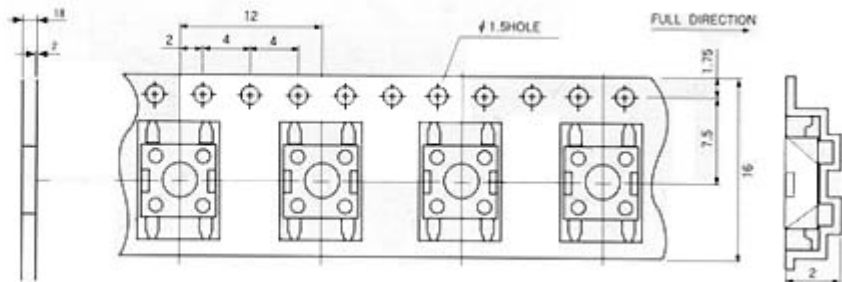
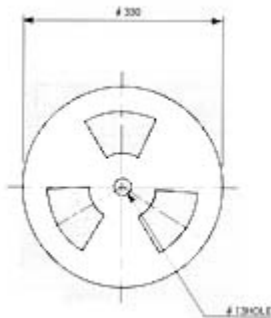
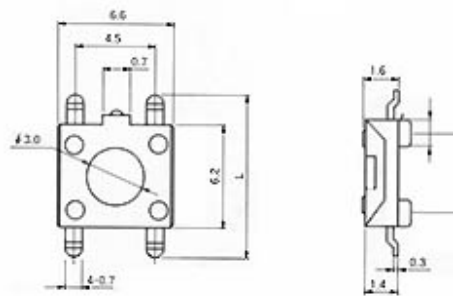


- 1.Contact : Mechanical Contact
2. Rating : DC12V 50mA
- 3.Travel : 0.25 ± m/m
- 4.Contact Resistance :100mΩ Max
5. OverallLength:575m/m
6. Packege : 50pcs

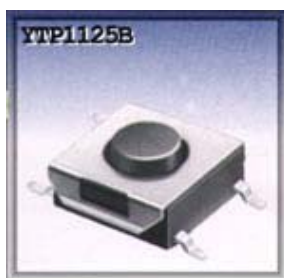


1. Contact : Mechanical Contact
2. Rating : DC 12V 50mA
3. Travel :  $0.25 \pm 0.07$ mm/m
4. Operating Force :  $160 \pm 30$ gf Onky
5. Contact Resistance :  $100\text{m}\Omega$  Max

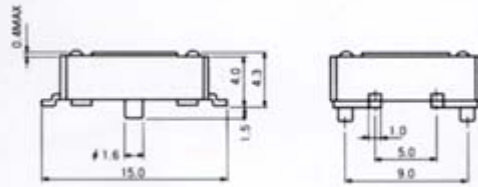
MODEL	L
YP1137	8
TP1137A	10



1. Contact : Mechanical Contact
2. Rating : DC 12V 50mA
3. Travel :  $0.25 \pm 0.07$ mm/m
4. Operating Force :  $160 \pm 30$  gf
5. Contact Resistance :  $100\text{m}\Omega$  Max
6. Soldering : Re - Flow
7. Life : 100,000 or 1,000,000 cycles
8. Without Embossing : TP1125  
Without Embossing : TP1125E
9. Stem Color : Red

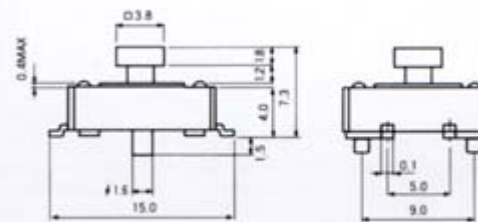


YTP 1212 SMD



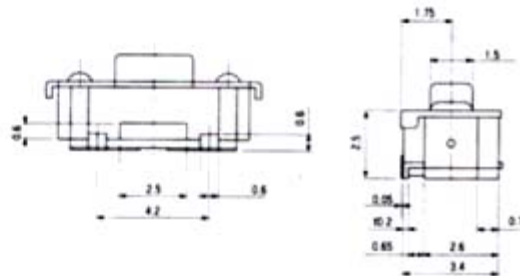
1. Contact: Mechanical Contact
2. Rating: DC 12V, 50mA
3. Travel:  $0.3 \pm 0.15$  m/m
4. Operating Force:  $160 \pm 50$  gf,  $260 \pm 50$  gf
5. Contact Resistance:  $100 \text{m}\Omega$  max.
6. Life: 100,000 or 1,000,000 Cycles Min

YTP 1212C SMD

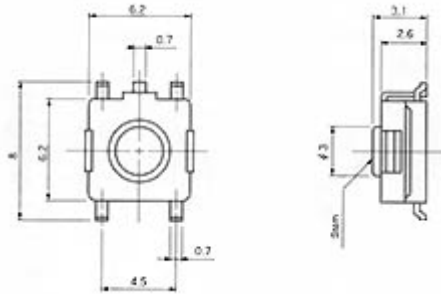
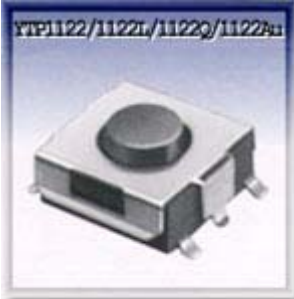


1. Contact: Mechanical Contact
2. Rating: DC 12V, 50mA
3. Travel:  $0.3 \pm 0.15$  m/m
4. Operating Force:  $160 \pm 50$  gf,  $260 \pm 50$  gf
5. Contact Resistance:  $100 \text{m}\Omega$  max.
6. Life: 1,000,000 Cycles Min.

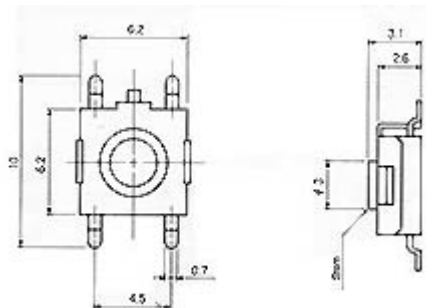
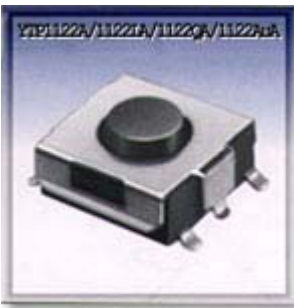
YTP 1100



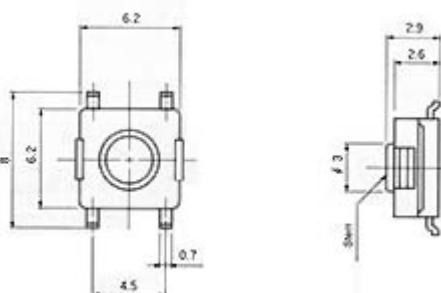
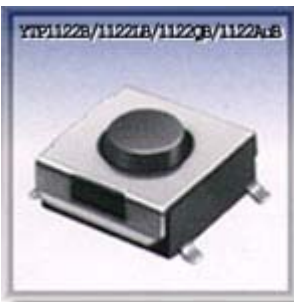
1. Rating: DC 12V, 50mA
2. Travel:  $0.25 \pm 0.1$  mm
3. Operating Force: 130, 180,  $250 \pm 50$  gf
4. Contact Resistance:  $500 \text{m}\Omega$  max.
5. Life: 50,000 Cycles Min.



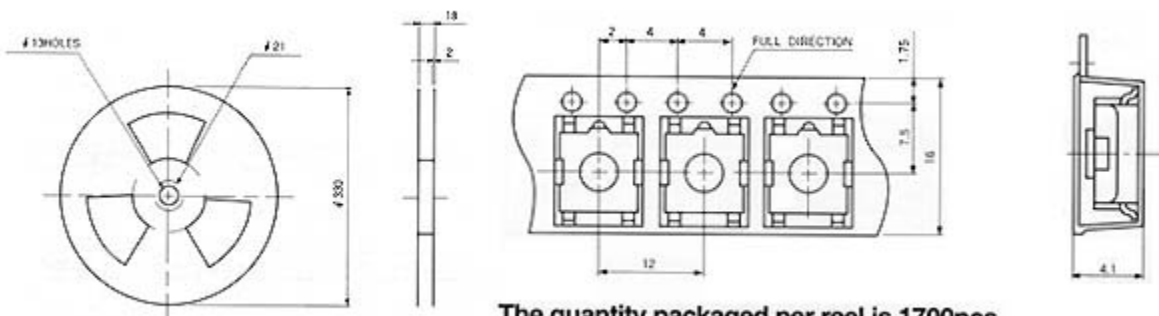
1. Contact : Mechanical Contact
2. Rating : DC 12V, 50 mA
3. Travel :  $0.25 \pm \frac{0.1}{1}$  m/m
4. Operating Force :  $160 \pm 30$  gf
5. Contact Resistance :  $100 \text{m}\Omega$  Max



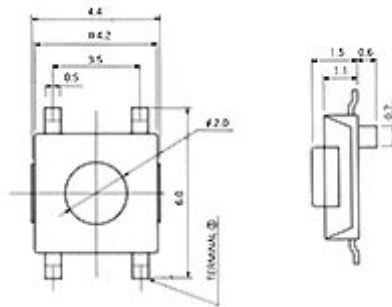
1. Contact : Mechanical Contact
2. Rating : DC 12V, 50 mA
3. Travel :  $0.25 \pm \frac{0.1}{1}$  m/m
4. Operating Force :  $160 \pm 30$  gf
5. Contact Resistance :  $100 \text{m}\Omega$  Max



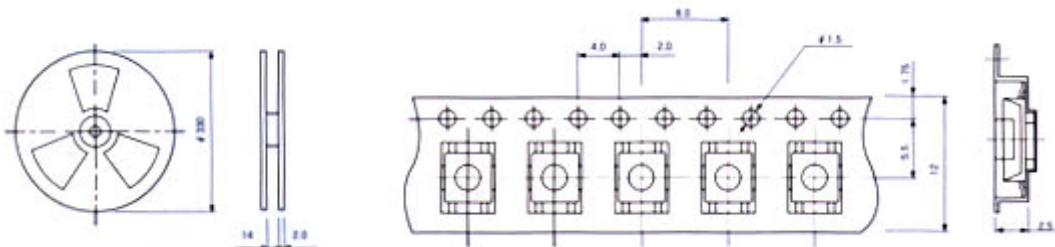
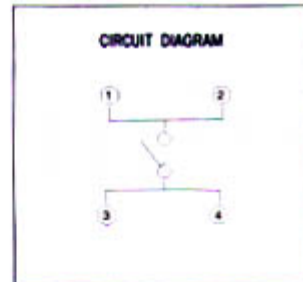
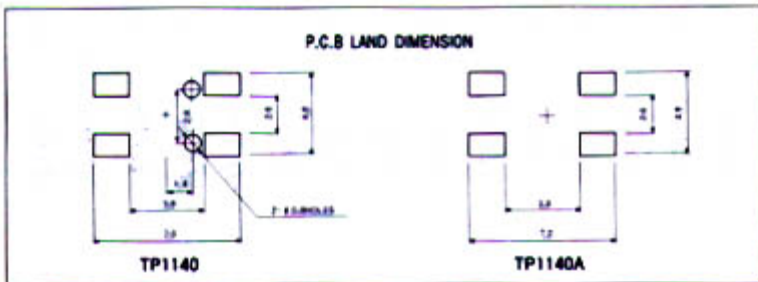
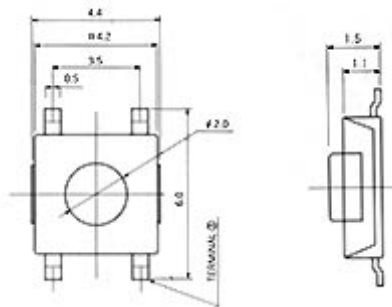
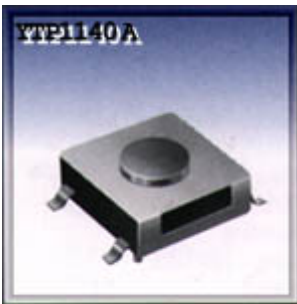
1. Contact : Mechanical Contact
2. Rating : DC 12V, 50mA
3. Travel :  $0.25 \pm \frac{0.1}{1}$  m/m
4. Operating Force :  $160 \pm 30$  gf
5. Contact Resistance :  $100 \text{m}\Omega$  Max



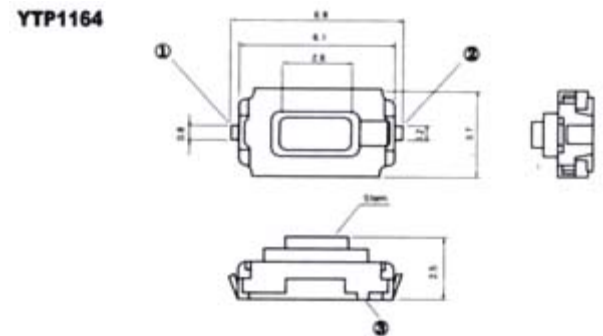
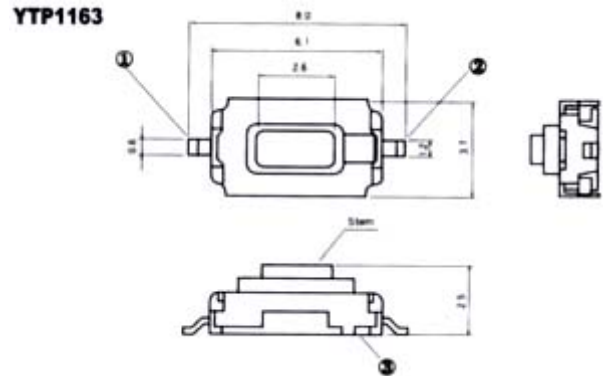
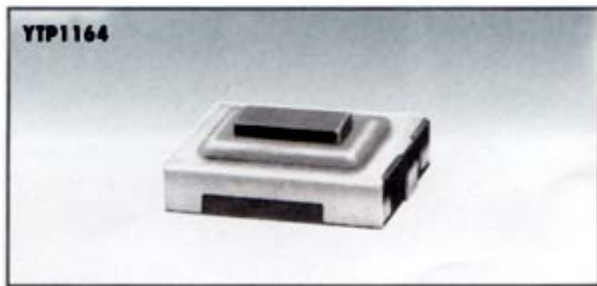
The quantity packaged per reel is 1700pcs



1. Contact : Mechanical Contact
2. Rating : DC 12V, 50mA
3. Travel :  $0.2 \pm 0.1$ mm
4. Operating Force :  $180 \pm 30$ gf
5. Contact Resistance :  $100\text{m}\Omega$  Max
6. Life : 500,000 Cycles Min
7. Re-flow soldering







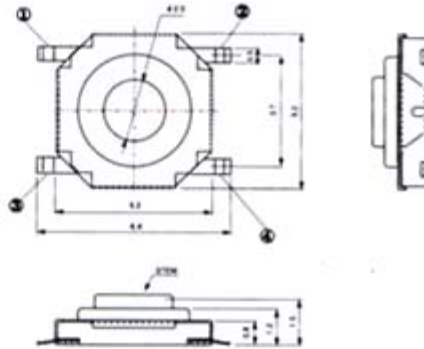
**FEATURES**

1. With 3.7×6.1mm outline size and 2.5mm height, these surface-mounting type keyboard switches are ideal for high-density mounting
2. Contact-sealed construction Provides High-reliability
3. Expansion of the upper surface of the stem helps for better mounting time
4. We reduced the mounting patterns by creating a j-bend in the terminal

**APPLICATIONS**

1. For use of operating electronic equipment such as audio, office equipment, communications apparatus, measuring instruments, TV sets, VCRs, etc.
2. Permits reflow soldering
3. Switches are packaged in 12mm wide embossed taping

MODEL NO.	Operating force	Travel	Ratings(max)	Lifetime(5mA 5V DC)	Initial contact resistance	Stem color	Variety
YTP1163	180±30 gf	0.25mm	50mA	50,000 cycles	500MΩ	Ivory	Stem height h-2.5mm
YTP1164	180±30 gf			50,000 cycles		Ivory	
YTP1163S	260±50 gf		12V DC	50,000 cycles	max	Red	
YTP1164S	260±50 gf			50,000 cycles		Red	



**Applications**

1. With 5.2×5.2mm outline size and height of 0.8mm these surface-mounting type switches are ideal for high-density mounting
2. Realizes low profile and light weight greatly compared with conventional
3. provided 0.8mm height flat type and stem type easy to use.
4. Sealing contact construction offers reliable switch.
5. permits reflow soldering
6. Switches are packaged in 12mm wide embossed taping

**Features**

1. For use of operating electronic equipment such as audio, home electronics, VCRs, radio communication and car electronics, etc.

MODEL NO.	Operating force	Travel	Ratings(max)	Lifetime(5mA 5V DC)	Initial contact resistance	Variety
YTP1152	160gf	0.3mm	50mA	500,000 cycles	100MΩ	With stem type
YTP1152S	260gf		12V DC	100,000 cycles	max	