

35W Constant Current – DIP-Switch

FMS-35-700 LD



■ Approve

SELV **CE**

■ Features

- Class I, SELV, built-in
- Input Voltage 220-240VAC
- Protections: SCP/OLP/OVP/OTP
- Power Factor >0.95
- Efficiency ≥88%
- 5 years warranty

■ Applications(Typ.)

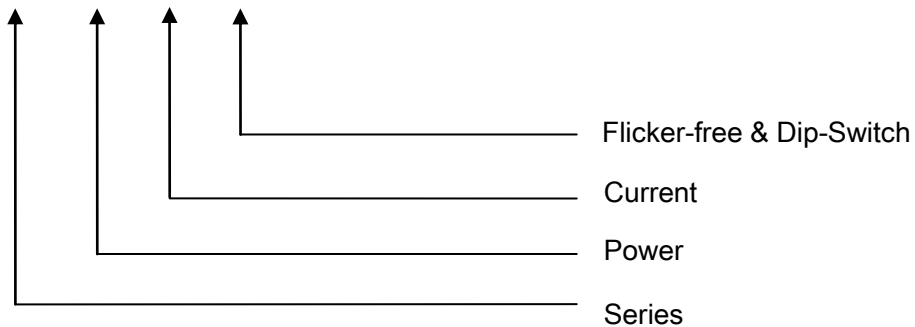
- Linear light
- Troffer light

■ Description

FMS-35-700 LD is a 35W constant current LED driver that operates from 176-264Vac input with 300 to 700mA output current. The output current is selectable by DIP Switch. With it's dimensions from 220 x 30 x 21mm it is easy to integrate in linear light and troffer light products. To ensure trouble-free operation, protection is provided against output short circuit and over Load.

■ Model code

FMS-35-700 LD



35W Constant Current – DIP-Switch

FMS-35-700 LD

■ Specification

Input	Rated input voltage	220-240VAC
	Range of input voltage	176-264VAC
	Frequency(Hz)	50/60 Hz
	Power Factor	> 0.95@Full Load,230VAC
	Input Current max	0.25A MAX. @Full Load,176VAC
	Start-up time	< 1S
	Unload Power Consumption	≤0.5W
	Inrush Current	30A Max.
	THD	< 15%. @Full Load,230VAC
	Leakage Current	< 0.7mA(240VAC)
Output	Constant Current	300/.../700mA
	Unload voltage Max. (VDC)	60V
	Voltage Range(VDC)	15-52VDC
	Rated power	36.4W Max.
	Current Accuracy	±5%@220-240VAC
	Voltage Regulation	±5% @Full Load,220-240VAC
	Load Regulation	±5%@220-240VAC
	Hold-up Time	1s max.@Full Load
	Current Ripple *Note.2	≤±3%@Full Load, 230VAC
	Output LF current ripple(<120Hz)	≤±3% @Full Load,230VAC
	Efficiency(Typ.)	≥88%
Protection	Over Load Protection	103-120% Protection type: Auto resume
	Over Voltage Protection	> 60VDC Protection type: Auto resume
	Short circuit Protection	Protection type: Auto resume
	Over Temperature Protection	Protection type: Auto resume
Environment	Operating Temperature	-20°C...+50°C
	tc	75°C
	Storage Temperature	-25°C...+60°C
	Life time	30,000H,@tc=75°C,230Vac; 50,000H,@tc=65°C, 230Vac
Others	Humidity	20%-90%RH
	Dimension	220X30X21(LXWXH)mm
Standards	Safety standards	EN 61347-1; EN61347-2-13; EN62384
	Withstand voltage	Input-output : 3750VAC/5mA/1min; Input-PE : 1500VAC/5mA/1min; Output-PE : 500VAC/5mA/1min;
	Isolation resistance	≥4MΩ@500VDC
	EMI	EN55015; EN61000-3-2 Class C; EN61000-3-3
	EMS	EN 61547; EN 61000-4-2; EN 61000-4-5 —L-N>1KV, L/N-PE> 2KV
Note	1.All parameters NOT specially mentioned are measured at 230VAC input , full load and 25°C of ambient temperature. 2.Ripple & Noise are measured at 20MHz of bandwidth by using a 300mm twisted pair-wire terminated with a 0.1uF & 47 uF parallel capacitor.	

35W Constant Current – DIP-Switch

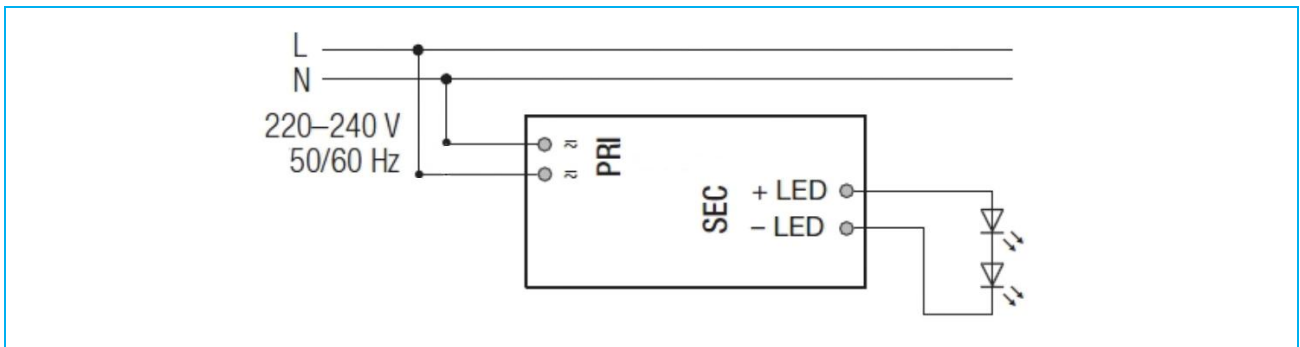
FMS-35-700 LD

■Adjustable Output Current with dip-switch

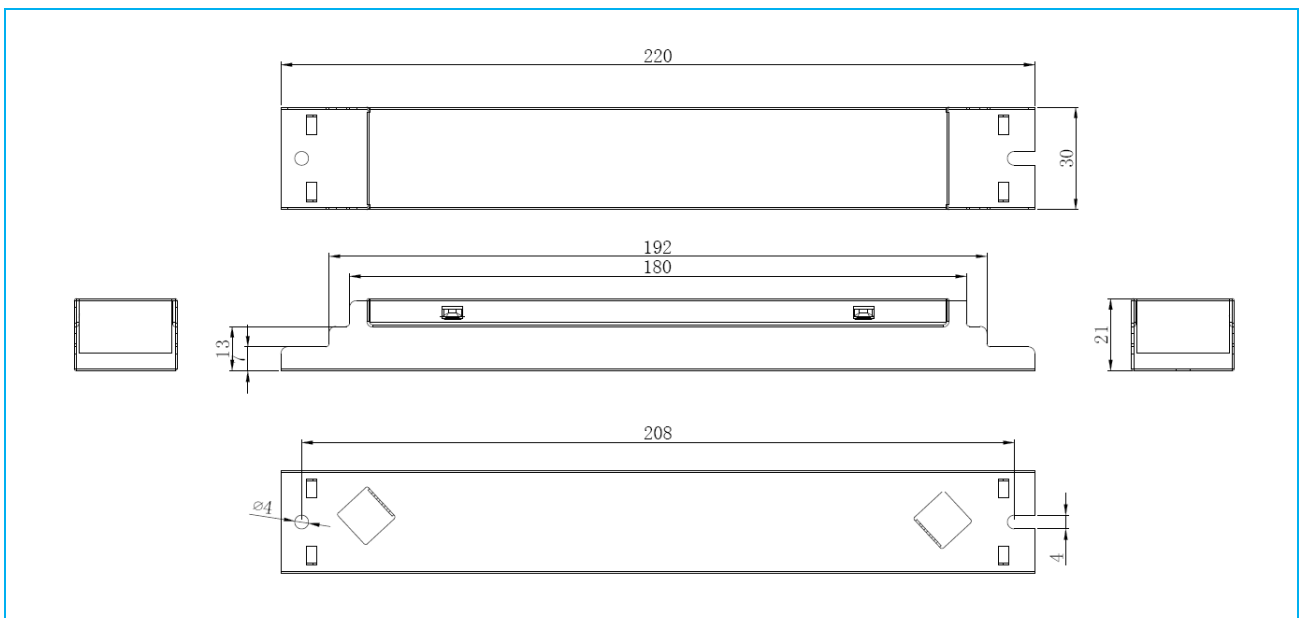
Vo	Po	Io	1	2	3
15-52VDC	15.6W	300mA	--	--	--
15-52VDC	18.2W	350mA	ON	--	--
15-52VDC	26W	500mA	--	ON	--
15-52VDC	31.2W	600mA	--	--	ON
15-52VDC	36.4W	700mA*	--	ON	ON

*Factory default

■Wiring diagram



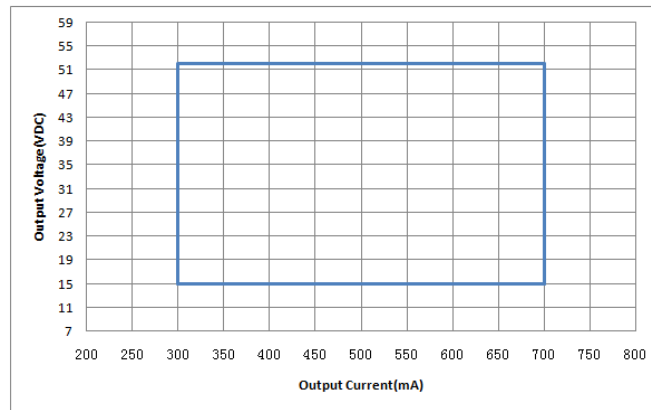
■2D diagram



35W Constant Current – DIP-Switch

FMS-35-700 LD

■ Operating window



— Operating window 100%