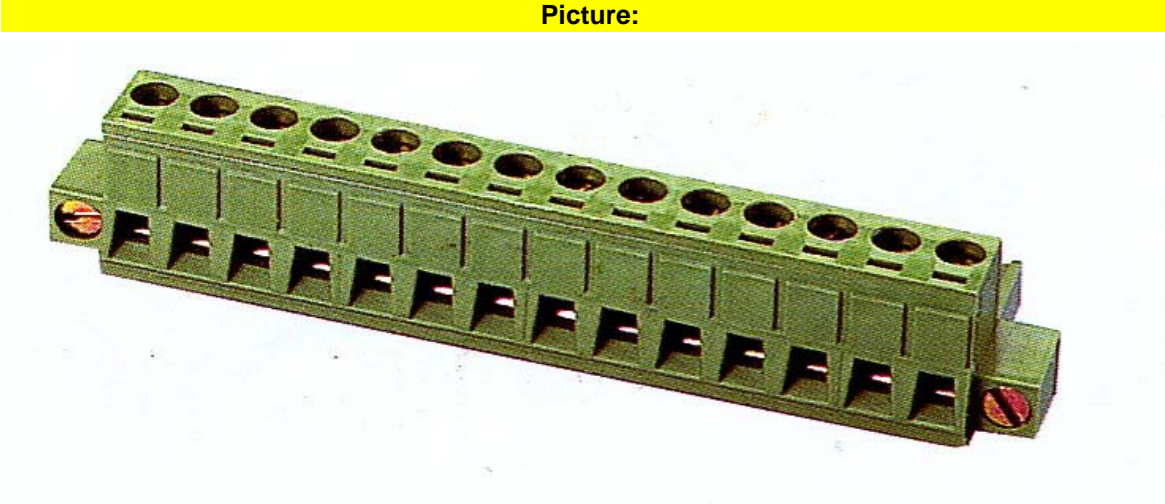


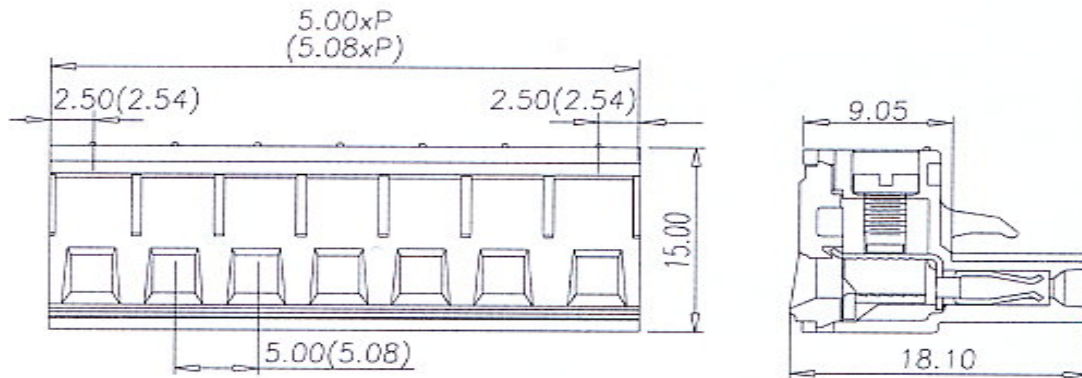
Type: 5ESDVM

Pitch: 5.00mm

Picture:



Drawing:



Technical Data	UL	IEC
Rated Voltage	300V	250V
Rated Current	15A	17.5A
Wire range		2.5mm ²
Solid Wire(AWG)	28~12	
Stranded wire(AWG)	28~12	
Insulation withstand voltage		2 KV
Torque (Lb-in)		4.5
Screw		M2.5
Wire strip length		7~8mm

Approval

UR SA FI

Pole	Order-No.	Pol.
02	5ESDVM	02P
03	5ESDVM	03P
04	5ESDVM	04P
05	5ESDVM	05P
06	5ESDVM	06P
..		..
..		..
21	5ESDVM	21P
22	5ESDVM	22P
23	5ESDVM	23P
24	5ESDVM	24P