

# Product Specification

Product Class: LED Lens

Item No: **DK5050-4H1-90**

Material: PMMA

Certification: RoHS

Sut Up:Xuan Yang

Check:Xiaohui Liang

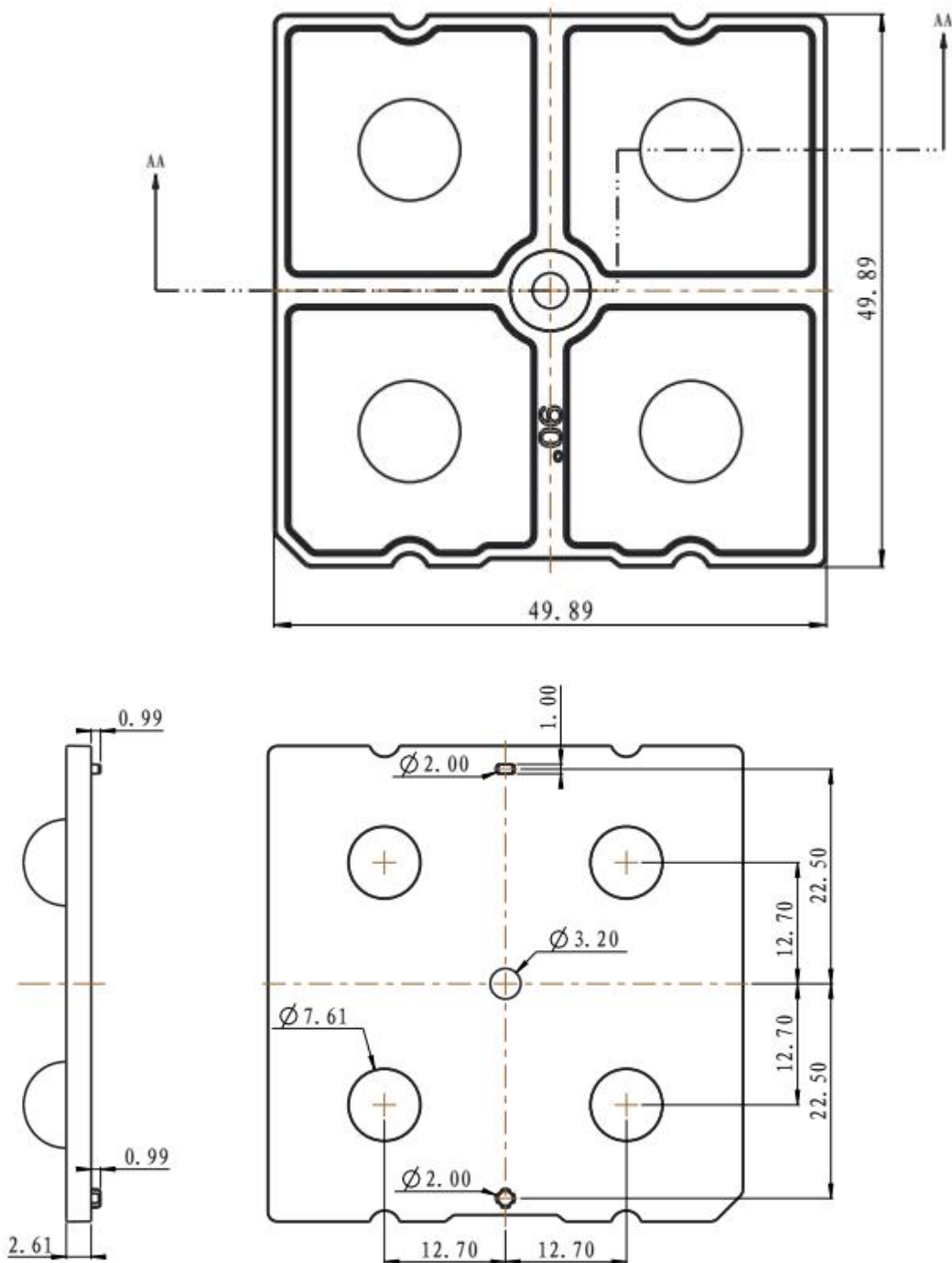
## Content

Specification-----	3
2D Drawing-----	4
Optical Datasheet-----	5
Packing-----	6
Application Notes-----	7

## Specification

Item No	Picture	Size	Matched LED	Lighting Application
DK5050-4H1-90		diamete: $\Phi 50$ height: 2.61mm FWHM: 90°	3535	LED High Bay  Light

## Drawing



# Optical Test Report

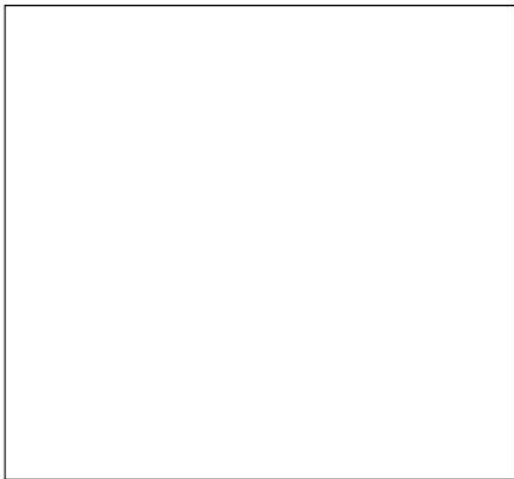
## 产品特征

灯具种类:  
 电压: 0.0 V  
 功率: 0.00 W  
 电流: 0.000 A  
 功率因数: 0.000

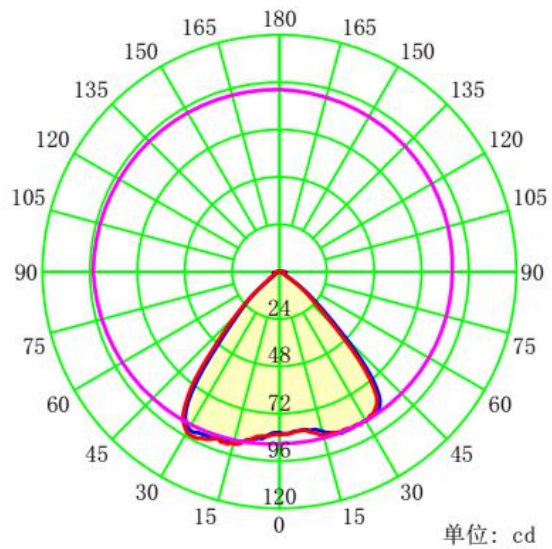
## 光度结果

灯具CIE分类: 直接型  
 灯具光通量: 166.8 lm  
 下射光通量比: 100%  
 水平扩散角(25%, 50%, 75%, 100%): H97.7, H86.2, H79.2, H50  
 垂直扩散角(25%, 50%, 75%, 100%): V96.7, V85.8, V78.9, V56  
 灯具光效等级(LER): 167  
 峰值光强: 94.42 cd  
 额定光通量: 166.8 lm  
 灯具效率: 100%  
 上射光通量比: 0%  
 中心光强: 81.68 cd  
 峰值光强位置: H270 V28

灯具实物照片



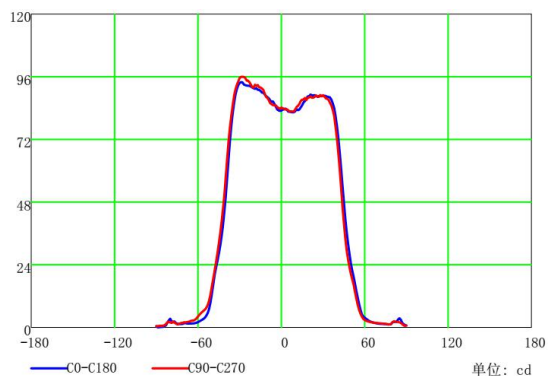
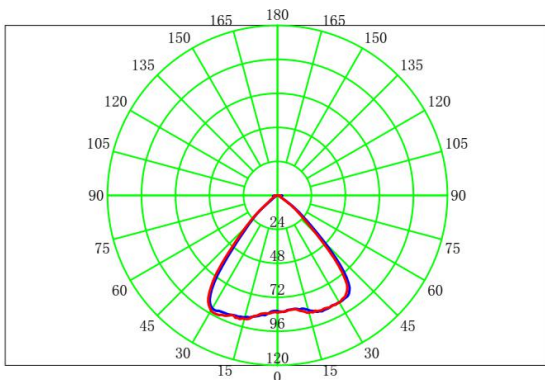
配光曲线



平均光束角(50%): 86.0°

— C0-C180 — C90-C270 — G28

配光曲线



## Packing

Material	Size	Packing Instruction
White Paper	White Paper	240PCS/1Box 4 Box/1Carton
EPE	EPE(315*240)mm	
White Paperboard	A 级 (400g) 310*230/mm	
Box	320*245*115/mm	
Carton	A=B 505*330*255/mm	



## Application Notes

(1) Please use a little water and soft fabric (air-laid paper) to clean the lens & reflector if necessary.

(2) Forbid to use industrial solvent to clean the lens, such as alcohol.

(3) The working temperature is  $-40^{\circ}\text{C}\sim+80^{\circ}\text{C}$ .

(4) Storage environment temperature is  $0^{\circ}\text{C}\sim40^{\circ}\text{C}$ , humidity is 30%~95%.

Optic Lens has the function to change the ray of light, it is made of optical material, the effect shall be influenced once pollute. Please do not open the packing before use it, to avoid the dust pollution.

(5) Protect the product from the sun and other ultraviolet ray, as these will lead to aging, change color, crack, etc.

(6) Please wear gloves once install the lens, avoid to abrasion the lens surface.

(7) Forbid to use acidic or alkaline solution touch the product, avoid to generate the chemical reactions.