

Product Specification

Product class: COB Reflector

Item No.: DK130REF-Hight Beam/Fog

Material: PC

Certification: RoHS

Set Up:Xuan Yang

Check:Xiaohui Liang

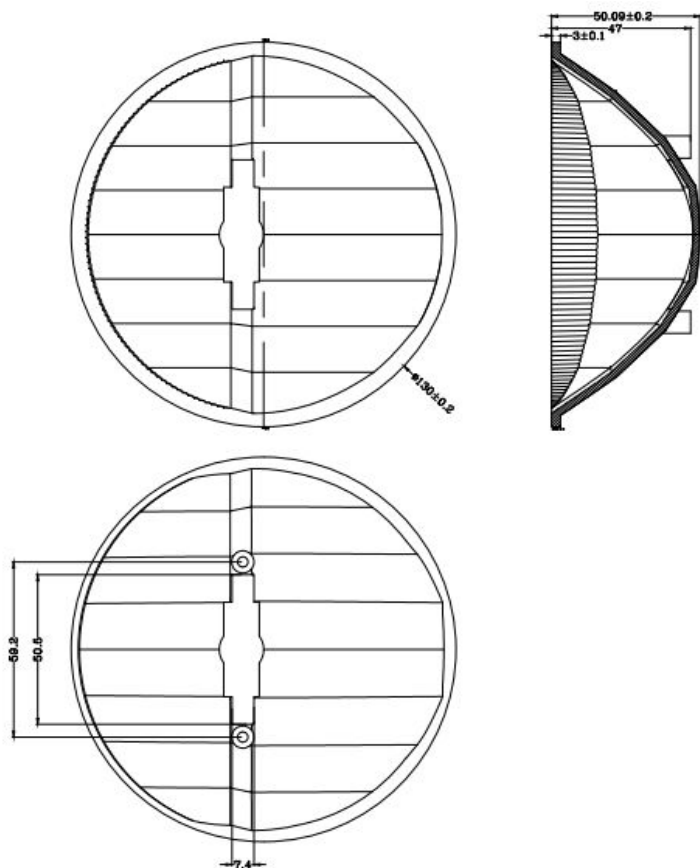
Content

Specification-----	3
2D Drawing-----	4
Optical Datasheet-----	6
Application Notes-----	8

Specification

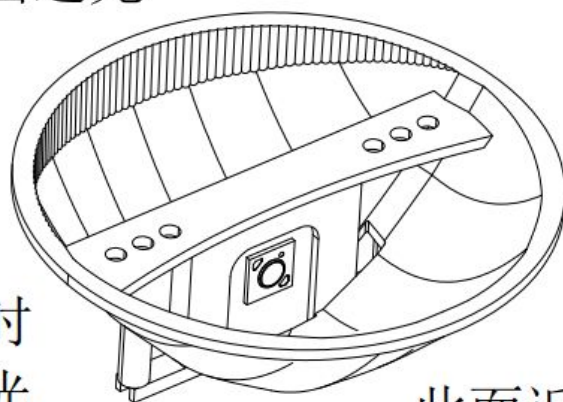
Item No	Picture	Size	Matched COB	Lighting Application
DK130REF-Hight Beam/Fog		Diameter: $\Phi 130$ Height: 50mm		Downlight, Spotlight

Drawing



此面远光

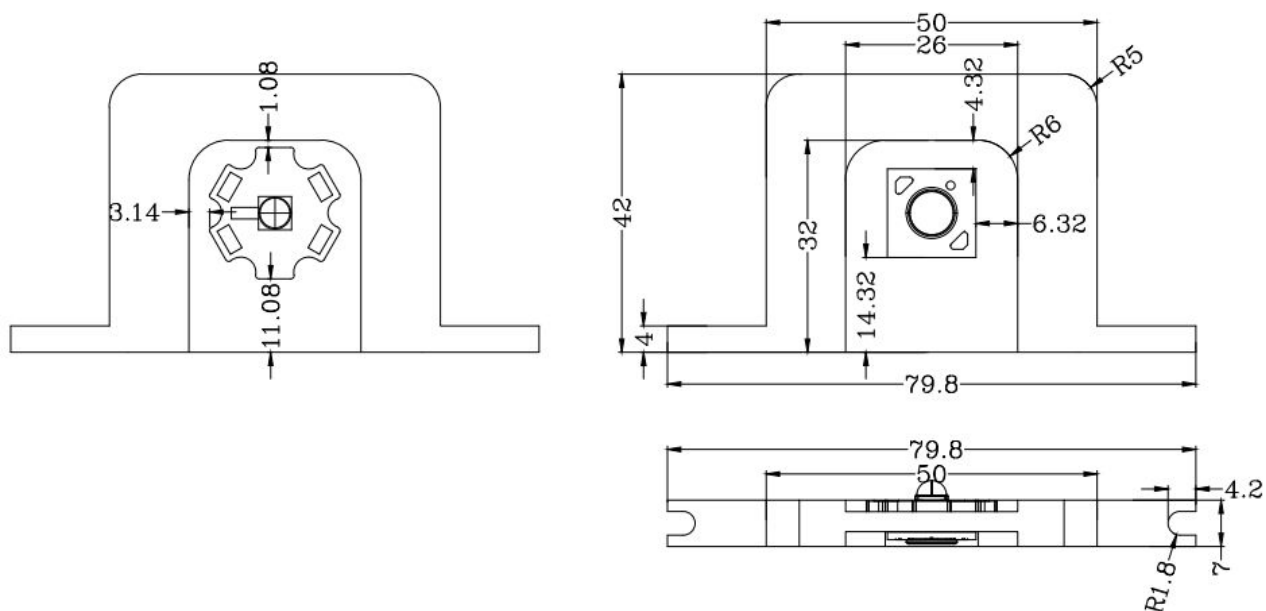
两灯珠同时
点亮是远光



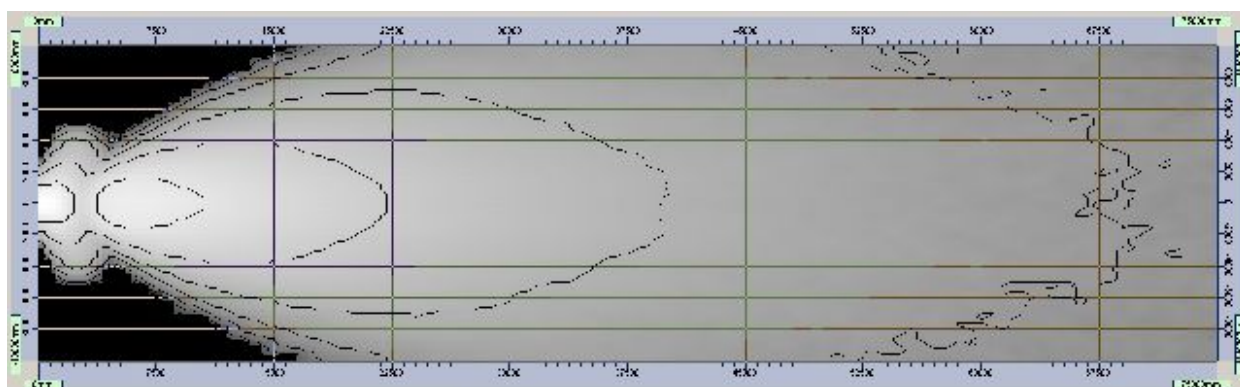
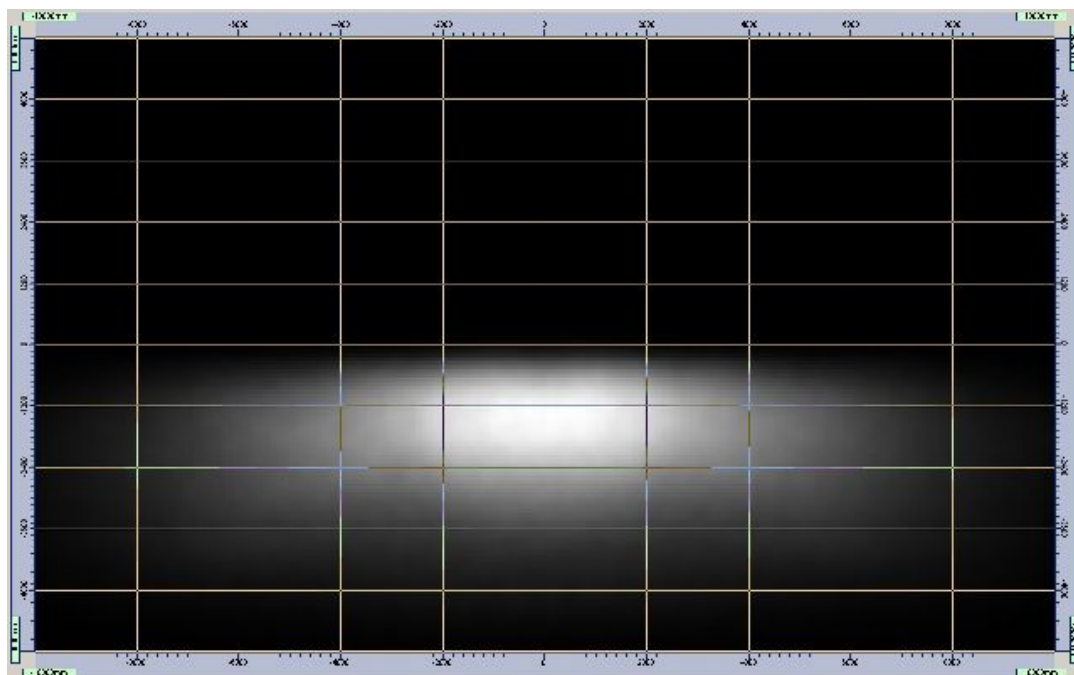
此面近光



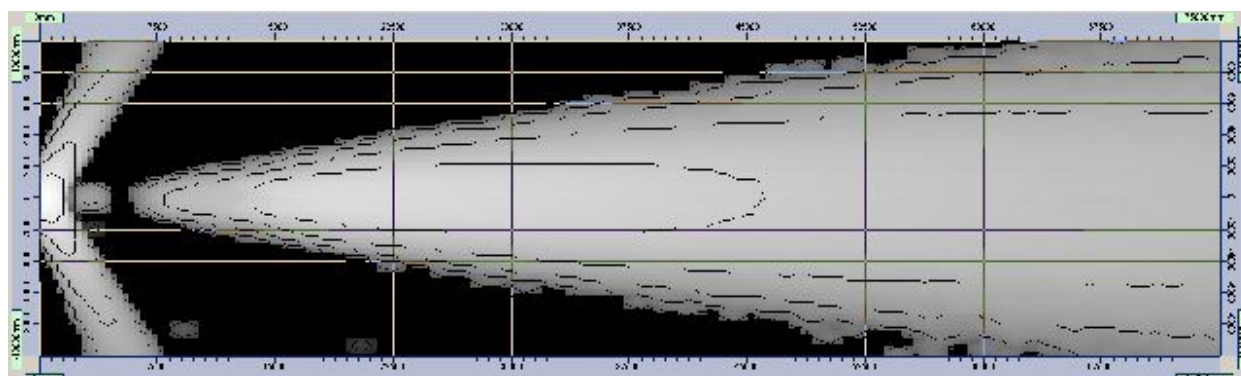
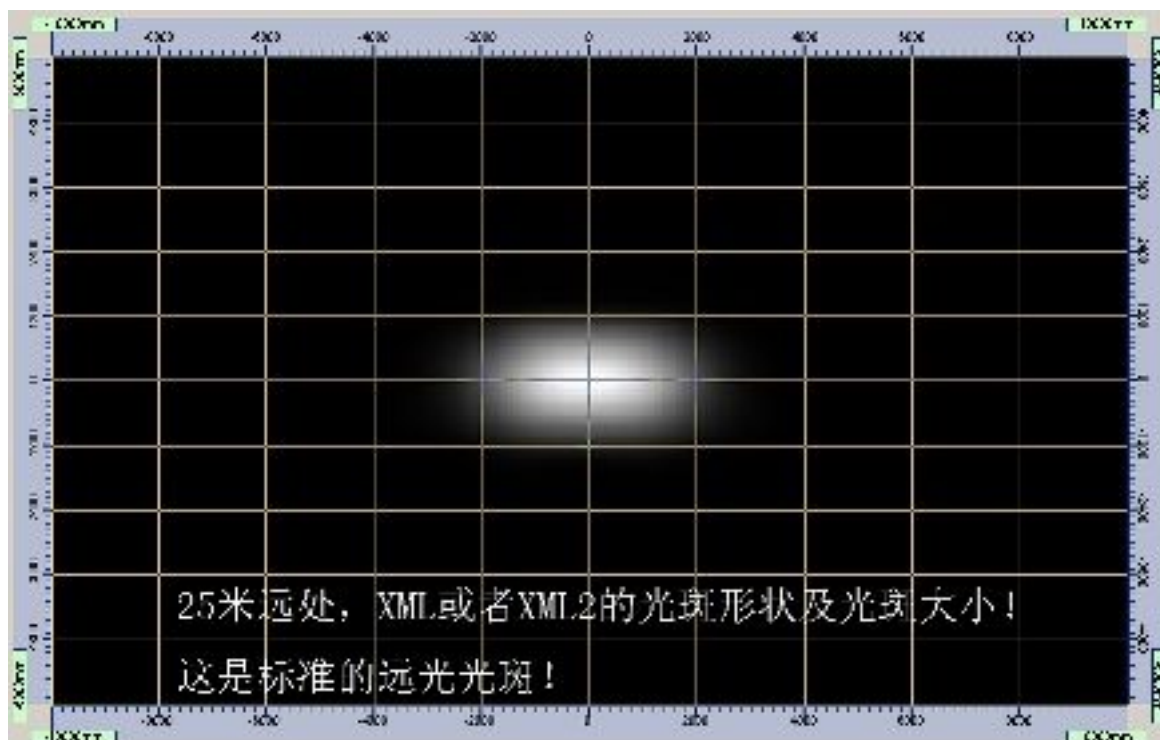
Drawing



Optical test report



Optical test report



Application Notes

(1) Please use a little water and soft fabric (air-laid paper) to clean the lens & reflector if necessary.

(2) Forbid to use industrial solvent to clean the lens, such as alcohol.

(3) The working temperature is $-40^{\circ}\text{C} \sim +80^{\circ}\text{C}$ for lens, under 120°C for reflector.

(4) Storage environment temperature is $0^{\circ}\text{C} \sim 40^{\circ}\text{C}$, humidity is 30%~95%。

Optic Lens has the function to change the ray of light, it is made of optical material, the effect shall be influenced once pollute. Please do not open the packing before use it, to avoid the dust pollution.

(5) Protect the product from the sun and other ultraviolet ray, as these will lead to aging, change color, crack, etc.

(6) Please wear gloves once install the lens, avoid to abrasion the lens surface.

(7) Forbid to use acidic or alkaline solution touch the product, avoid to generate the chemical reactions.