



CHEQUERS ELECTRONIC (CHINA) LIMITED
捷嘉電子(中國)有限公司

CRYSTAL FILTER SPECIFICATION

PART NO.: MCF45M15B

SPECIFICATION NO.:

Part no.	:	MCF45M15B
Printed on	:	15-Feb-08
Prepared	:	Frankie
Ver. Ctrl.	:	150208/F
Page	:	1 of 2

Address : Room 1101-2, Mongkok Commercial Centre, 16 Argyle St.,
Mongkok, Kowloon, Hong Kong SAR, China.
Phone : (852) 2391-6725, (852) 2391-7306, (852) 2391-6158
Fax : (852) 2789-3205, (852) 2789-3349
Homepage : <http://www.chequers-electronic.com>
E-mail : info@chequers-electronic.com

1. Scope

This specification shall cover the characteristics of MCF45M15B 4-pole crystal filter.

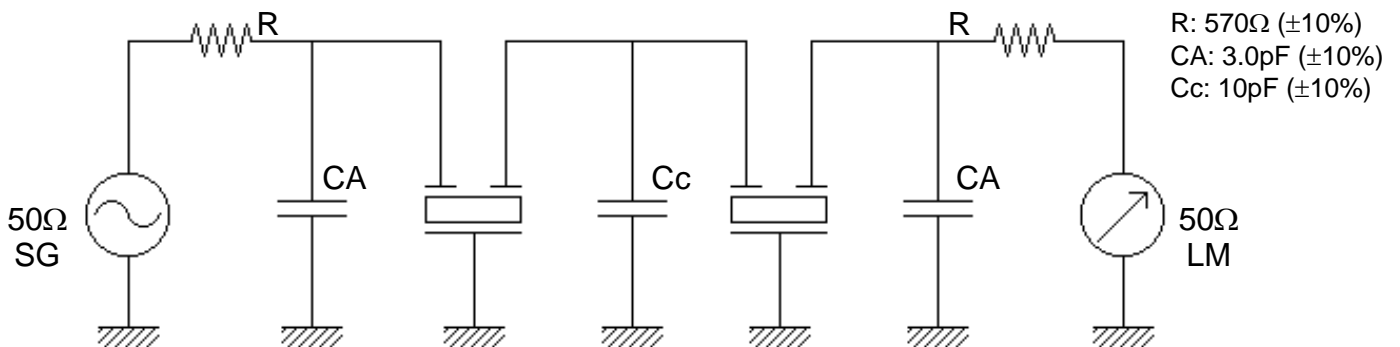
2. Part no.: MCF45M15B

3. Specification no.:

4. Electrical characteristics

Part no.	MCF45M15B
Center frequency	45.000MHz Fundamental
Passband width	± 7.5KHz min. (at 3dB)
Stop band attenuation	± 25KHz max. (at 35dB)
Ripple	1.0dB max.
Insertion loss	2.0dB max.
Termination impedance	0.62KΩ // 3.0pF // 10pF (±10%)
Operating temperature	-20°C to +70°C
Aging per year	±3ppm

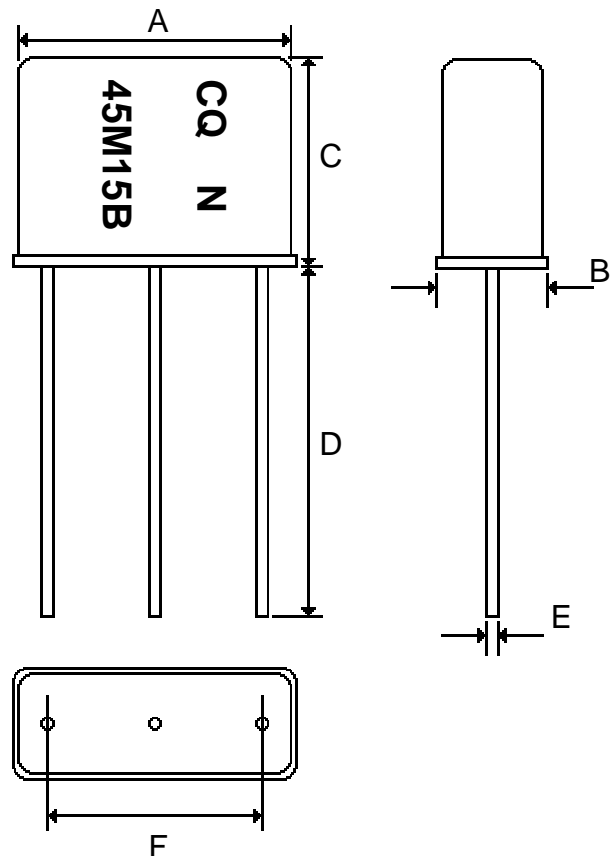
5. Test circuit



6. Marking & dimension

Dimension Holder type	A	B	C
UM-1	7.8±0.2	3.0±0.2	7.8±0.2
UM-5	7.8±0.2	3.0±0.2	5.8±0.2
HC-49/T	10.7±0.3	4.4±0.3	11.1±0.3
Dimension Holder type	D	E	F
UM-1	12.5±1.0	φ0.32±0.05	3.75±0.2
UM-5	12.5±1.0	φ0.35±0.05	3.75±0.2
HC-49/T	20.0±1.0	φ0.43±0.05 to 0.02	4.88±0.2

Unit: mm



Part no. :	MCF45M15B
Printed on :	15-Feb-08
Prepared :	Frankie
Ver. Ctrl. :	150208/F
Page :	2 of 2