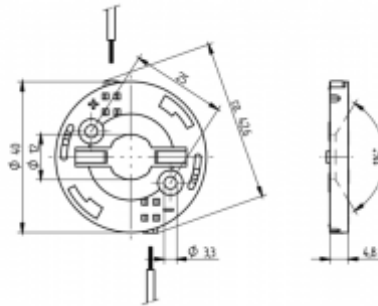


BJB///OEM-Line

47.319.6060

Spotlight connectors for COB LED modules



pkg. wt. part no.
504 3 g 47.319.6060.50

Connector for COBs

Suitable for the following LED models:

Manufacturer	LED model
Citizen	CL-L020/022
Edison	HM05/09
Lextar	Nimbus 500/1000
Prolight Opto	PACB 032
Tridonic	LES10

Approval: cURus

With integrated reflector interface
Easy pre-assembly by LED fixing lugs
Screw mount

Housing: PBT
Contacts: CuSn

Rating: 2A / 60 VDC

- Screw mounting: for screws M3 and locking washer
- Max. torque for screw fixing 0.5 Nm
- Strip length: 6+1 mm
- Polarity of LED must be observed
- Specifications of LED manufacturer must be observed
- VDE-Reg. No. E289

LED-LINE	T 110			
			0.5 mm ²	0.5 mm ²