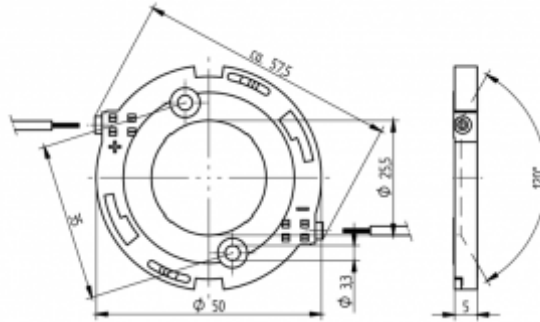


BJB///OEM-Line

47.319.2030

Spotlight connectors for COB LED modules



pkg. wt. part no.
504 5 g 47.319.2030.50

Connector for COBs

Suitable for the following LED models:

Manufacturer	LED model
Citizen	CL-L040/042
Edison	HM40
Lextar	Nimbus 2000/3000
Philips Lumileds	Luxeon® 1211/1212
Seoul Semiconductor	ZC25/40
Sunpu	G7

Approval: cURus

With integrated reflector interface
Easy pre-assembly by LED fixing lugs
Screw mount

Housing: PBT
Contacts: CuSn

Rating: 2A / 60 VDC

- Screw mounting: for screws M3 and locking washer
- Max. torque for screw fixing 0.5 Nm
- Strip length: 6+1 mm
- Polarity of LED must be observed
- Specifications of LED manufacturer must be observed
- VDE-Reg. No. E289

LED-LINE	T 110			
			0.5 mm ²	0.5 mm ²