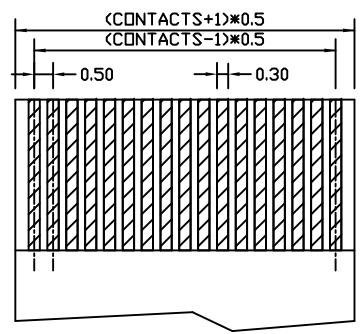
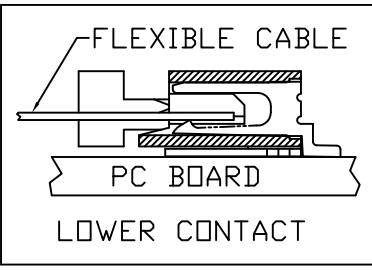
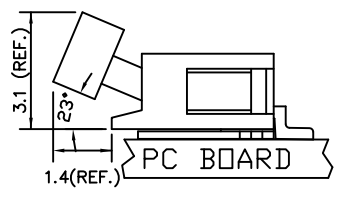


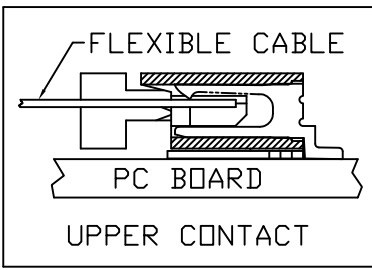
RECOMMENDED PCB LAYOUT



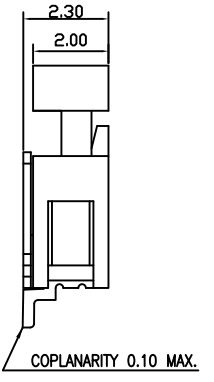
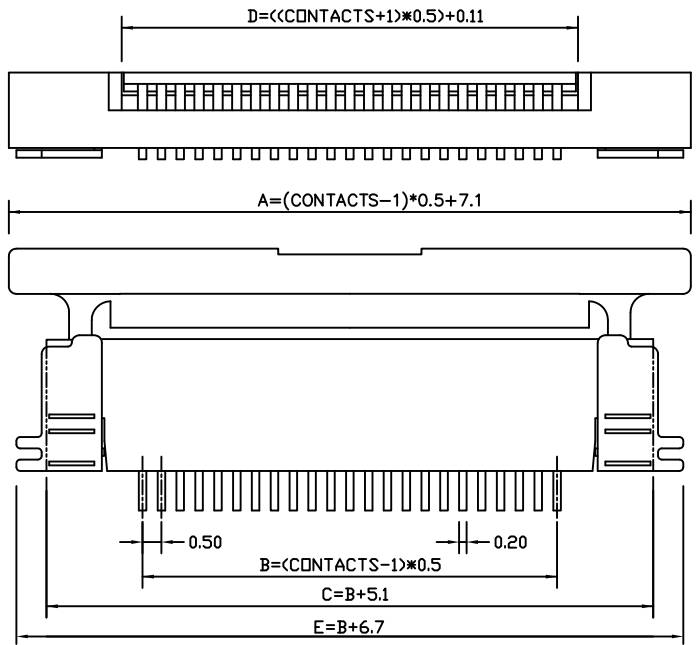
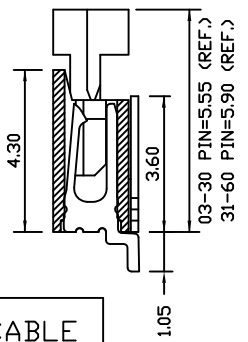
FPC DIMENSION  
THICKNESS 0.30 mm



LOWER CONTACT



UPPER CONTACT



PRODUCT NUMBER:  
311A-XX X X X-R  
1 2 3 4 5

- 1.Pin count  
03 to 60 Pin
- 2.Contact  
U:Upper contact  
L:Lower contact
- 3.Plating  
A:Tin  
B:3u" Gold Plating
- 4.Packing  
A:Reel  
B:Tube
- 5.RoHS

REV.	DESCRIPTION	DATE	REV.	DESCRIPTION	DATE	SIZE	REV.	FILE NAME
1			4			A4	1.0	311A-XXXXX-R_B_2
2			5					
3			6					
4			7					
5			8					
6			9					
7			10					

UNLESS OTHERWISE SPECIFIED TOLERANCE		
ANGLES	ANG.	±5°
LINEAR	0.	±0.3
	0.0	±0.25
	0.00	±0.20
SCALE	AS SHOWN	UNIT: mm
DRAWN	Willis	2012/08/03
CHECKED	Angel	2012/08/03
APPROVED	Ken	2012/08/03



www.attend.com.tw  
 DRAWN NAME:  
 FPC Connector Pitch:0.5mm H:2.0mm  
 PRODUCT NO. 311A-XXXXX-R  
 FILE NAME 311A-XXXXX-R\_B\_2

Revise:  
Revise:  
Revise:

PIN	A	B	C	D	E
8	10.60	3.50	8.60	4.61	10.20
10	11.60	4.50	9.60	5.61	11.20
11	12.10	5.00	10.10	6.11	11.70
12	12.60	5.50	10.60	6.61	12.20
14	13.60	6.50	11.60	7.61	13.20
20	16.60	9.50	14.60	10.61	16.20
24	18.60	11.50	16.60	12.61	18.20
26	19.60	12.50	17.60	13.61	19.20
28	20.60	13.50	18.60	14.61	20.20
30	21.60	14.50	19.60	15.61	21.20
32	22.60	15.50	20.60	16.61	22.20
34	23.60	16.50	21.60	17.61	23.20
40	26.60	19.50	24.60	20.61	26.20
45	29.10	22.00	27.10	23.11	28.70
50	31.60	24.50	29.60	25.61	31.20
54	33.60	26.50	31.60	27.61	33.20


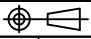
**FEATURE AND SPECIFICATIONS**

SIZES 03 TO 60 PIN.  
 FPC PITCH 0.5mm HORIZONTAL  
 VOLTAGE:50V MAX.  
 CURRENT:0.5A MAX.  
 CONTACT RESISTANCE:20 milliohms MAX.  
 INSULATION RESISTANCE:50 Megohms MIN.  
 DIELECTRIC WITHSTANDING VOLTAGE:250V AC.  
 TEMPERATURE:-40°C TO 85°C  
 FPC RETENTION FORCE: PER PIN 0.3N(0.03Kgf) MIN

**MATERIAL AND FINISH**

HOUSING: PA-46(CREAM) UL 94V-0  
 ACTUATOR:PPS(BLACK) UL 94V-0.  
 CONTACT:PHOSPHOR BRONZE.  
 HOLDDOWN:BRASS.  
 PLATING:100u" TIN, OVER 50u" NI

PRODUCT P/N	311A-XXXXA0-R Packing		
	PCS/REEL	REEL/Cartron	REEL NO.
311A-03XA0-R 311A-04XA0-R	2000	14	UR-13
311A-05XA0-R 311A-20XA0-R	2000	10	UR-14
311A-21XA0-R 311A-30XA0-R	2000	8	UR-15
311A-31XA0-R 311A-51XA0-R	2000	6	UR-16
311A-52XA0-R 311A-60XA0-R	2000	5	UR-17

				UNLESS OTHERWISE SPECIFIED TOLERANCE			 www.attend.com.tw	
ANGLES		ANG.		±5°				
LINEAR		0.		±0.3				
		0.00		±0.25				
SCALE		AS SHOWED		UNIT: mm				
DRAWN		Willis		2012/08/03		DRAWN NAME:		
CHECKED		Angel		2012/08/03		FPC Connector Pitch:0.5mm H:2.0mm		
APPROVED		Ken		2012/08/03		PRODUCT NO. 311A-XXXXX-R		
REV.	DESCRIPTION	DATE	REV.	DESCRIPTION	DATE	 SIZE A4 REV. 1.0 FILE NAME 311A-XXXXX-R_B_2		