

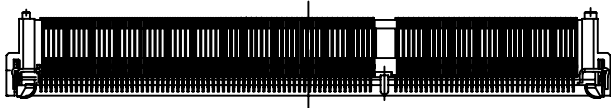
SWITCH CIRCUIT

MATERIAL AND FINISH AS BELOW

WHEN CARD IS EJECTED

WHEN CARD IS INSERTED

| | | | | |
|---|---------|---|---|--|
| A | Housing | LCP UL94V-0 Black | E | |
| B | Contact | Phosphor Bronze C5210, Contact Area: Gold Flash | F | |
| C | Latch | Stainless Steel SUS301 | G | |
| D | | | H | |



NOTES:
 DATE CODE 2202 (YWWDD)
 Y: 2 YEAR(2012)
 WW:20 WEEK(01~52)
 D: 2 DAY(01~07)

SPECIFICATION:

1. ELECTRICAL

- 1.1 Current Rating: 0.5A per pin
- 1.2 Voltage Rating: 25V AC/DC
- 1.3 Contact Resistance: 60mΩ
- 1.4 Insulation Resistance: 500MΩ
- 1.5 Dielectric Withstanding Voltage: 125VAC

2. MECHANICAL

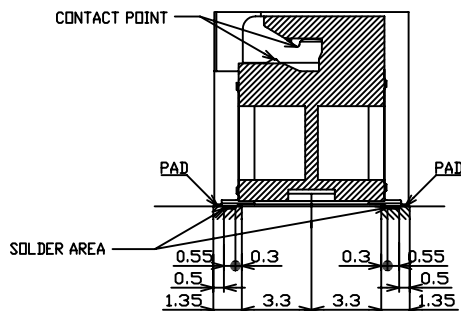
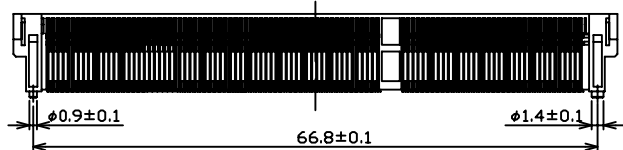
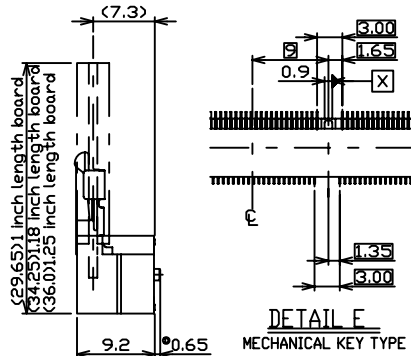
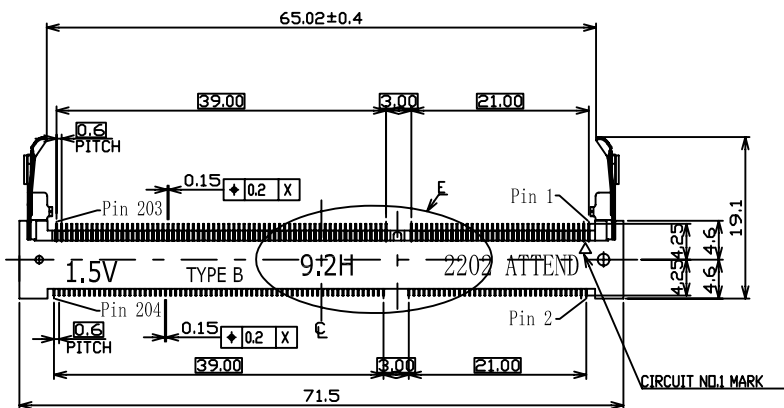
- 2.1 Durability: 25 Cycle
- 2.2 Latch Retention Force: 8 N/Pos. Min

3. ENVIRONMENTAL

- 3.1 Operating temperature range: -40°C~+85°C
- 3.2 Storage temperature range: -40°C~+85°C

4. SOLDER ABILITY

- 4.1 Recommended IR Reflow Temperature: 255°C 10Sec



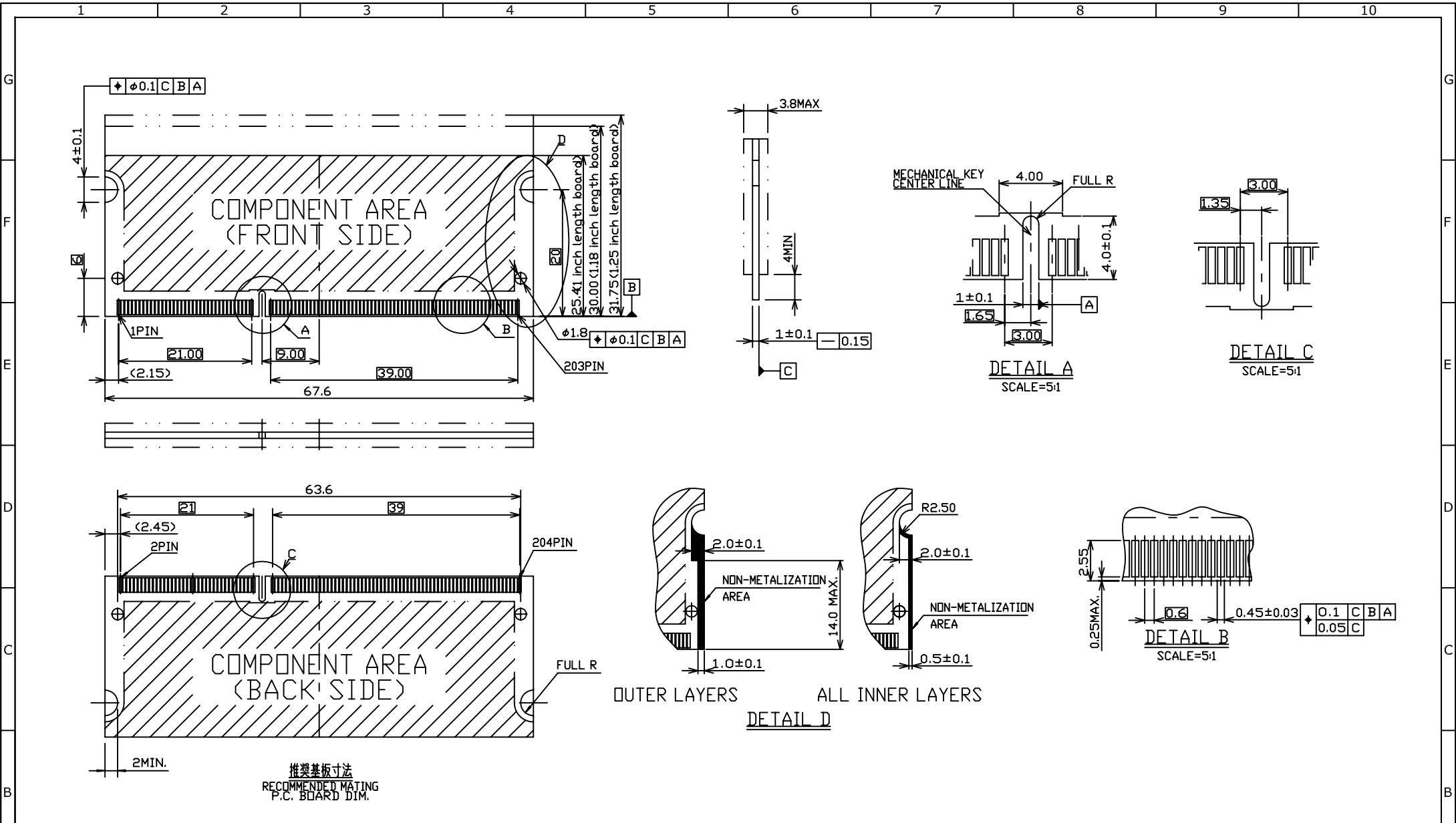
| | | | | | | | | | | | |
|----------------|----|----|---|----|----|----|----|----|-----|-----|-----|
| P1 | P2 | P3 | P4 | P5 | P6 | P7 | P8 | P9 | P10 | P11 | P12 |
| PIN ASSIGNMENT | | | | | | | | | | | |
| 122A-92A10 | | | SO DIMM DDR3 Socket 1.5V 204Pin Reverse Type 9.2H, Contact Area: Gold Flash | | | | | | | | |
| PRODUCT NO. | | | DESCRIPTION | | | | | | | | |

| | | |
|--------------------------------------|----------|------------|
| UNLESS OTHERWISE SPECIFIED TOLERANCE | | |
| ANGLES | ANG. | ±5° |
| LINEAR | 0. | ±0.3 |
| | 0.0 | ±0.25 |
| | 0.00 | ±0.20 |
| SCALE | AS SHOWN | UNIT: mm |
| DRAWN | Willis | 2012/12/05 |
| CHECKED | Angel | 2012/12/05 |
| APPROVED | Ken | 2012/12/05 |

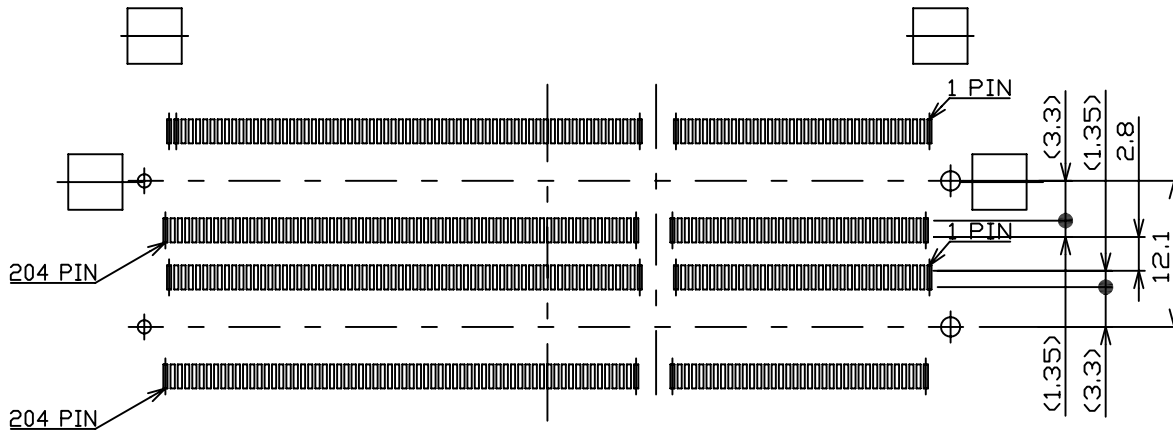


www.attend.com.tw
 DRAWN NAME:
 SO DIMM DDR3 Socket
 1.5V 204Pin 9.2H Reverse Type

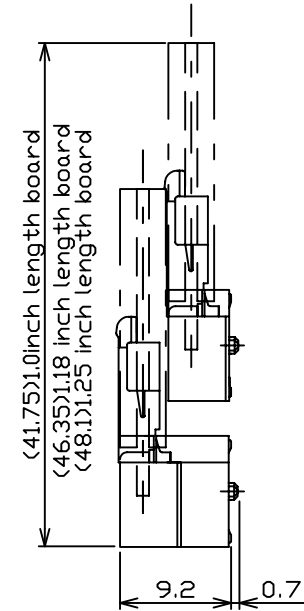
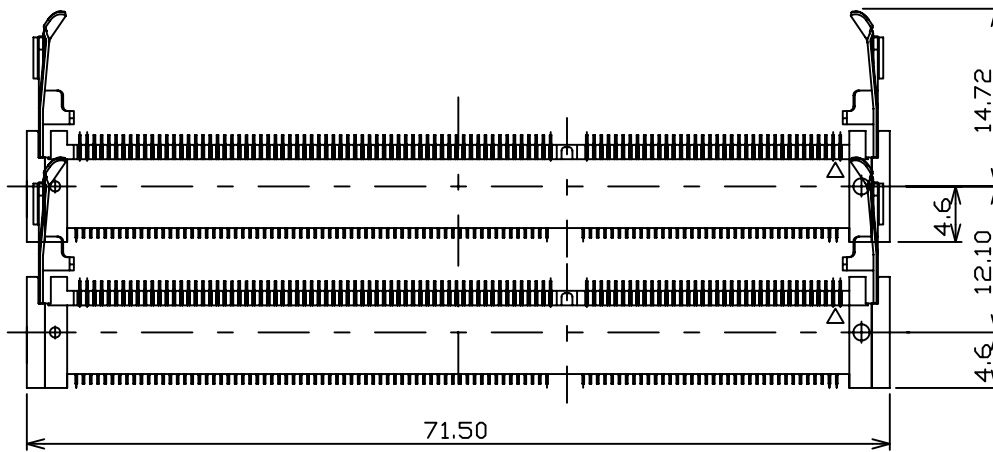
| | | | | | | | | | | | |
|------|-------------|------|------|-------------|------|------|----|------|-----|-----------|----------------|
| △ | Revise: | | | | | | | | | | |
| △ | Revise: | | | | | | | | | | |
| △ | Revise: | | | | | | | | | | |
| REV. | DESCRIPTION | DATE | REV. | DESCRIPTION | DATE | SIZE | A4 | REV. | 1.0 | FILE NAME | 122A-92A10_B_1 |



| | | | | | | | | | | |
|------|-------------|------|------|-------------|------|---|----------|------------|--|--|
| | | | | | | UNLESS OTHERWISE SPECIFIED TOLERANCE | | |  www.attend.com.tw | |
| | | | | | | ANGLES | ANG. | ±5° | | |
| | | | | | | LINEAR | | 0. | ±0.3 | |
| | | | | | | | | 0.00 | ±0.25 | |
| | | | | | | SCALE | AS SHOWN | UNIT: mm | DRAWN NAME: SO DIMM DDR3 Socket 1.5V 204Pin 9.2H Type | |
| | | | | | | DRAWN | Willis | 2012/12/05 | DRAWN NAME: SO DIMM DDR3 Socket 1.5V 204Pin 9.2H Type | |
| | | | | | | CHECKED | Angel | 2012/12/05 | PRODUCT NO. 122A-92A10 | |
| | | | | | | APPROVED | Ken | 2012/12/05 | FILE NAME 122A-92A10_B_1 | |
| REV. | DESCRIPTION | DATE | REV. | DESCRIPTION | DATE |  SIZE A4 | | REV. 1.0 | | |
| 1 | | | 4 | | | | | | | |



RECOMMENDED MOUNTING
P.C. BOARD PATTERN LAYOUT DIM.



Combination Dimension for H=5.2 connector
 (Only the combination of the P/N 122A-52A10 (H=5.2) and 122A-92A10 (H=9.2) is possible.)

| UNLESS OTHERWISE SPECIFIED TOLERANCE | | |
|--------------------------------------|----------|------------|
| ANGLES | ANG. | ±5° |
| LINEAR | 0. | ±0.3 |
| | 0.0 | ±0.25 |
| | 0.00 | ±0.20 |
| SCALE | AS SHOWN | UNIT: mm |
| DRAWN | Willis | 2012/12/05 |
| CHECKED | Angel | 2012/12/05 |
| APPROVED | Ken | 2012/12/05 |

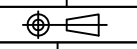


www.attend.com.tw

DRAWN NAME: SO DIMM DDR3 Socket
1.5V 204Pin 9.2H Reverse Type

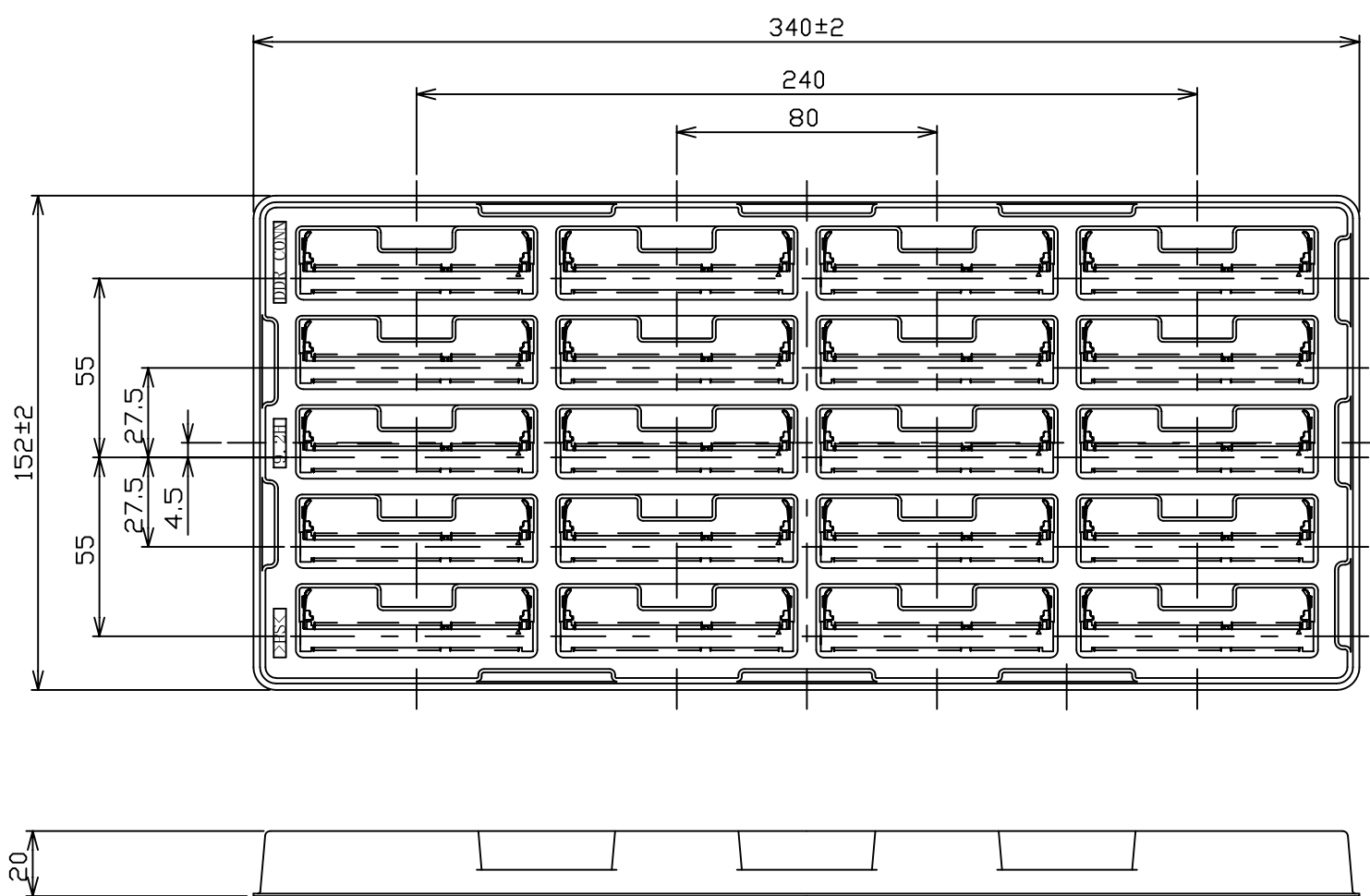
PRODUCT NO. 122A-92A10

| REV. | DESCRIPTION | DATE | REV. | DESCRIPTION | DATE |
|------|-------------|------|------|-------------|------|
| | | | | | |
| | | | | | |
| | | | | | |
| | | | | | |



SIZE A4 REV. 1.0

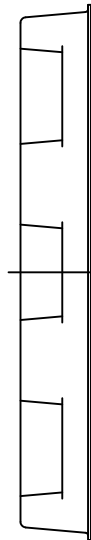
FILE NAME 122A-92A10_B_1



PACKAGING SPECIFICATION:

- 1. PACKING**
- 1.1 Quantity:**


 - 20Piece/Tray**
 - 160Piece/Inner Carton**
 - 480Piece/Outer Carton**



SOFT TRAY PACKAGING

| REV. | DESCRIPTION | DATE | REV. | DESCRIPTION | DATE |
|------|-------------|------|------|-------------|------|
| 1 | | | 4 | | |
| 2 | | | 5 | | |
| 3 | | | 6 | | |

| UNLESS OTHERWISE SPECIFIED TOLERANCE | | |
|--------------------------------------|----------|------------|
| ANGLES | ANG. | ±5° |
| | 0. | ±0.3 |
| LINEAR | 0.0 | ±0.25 |
| | 0.00 | ±0.20 |
| SCALE | AS SHOWN | UNIT: mm |
| DRAWN | Willis | 2012/12/05 |
| CHECKED | Angel | 2012/12/05 |
| APPROVED | Ken | 2012/12/05 |
| SIZE | A4 | REV. 1.0 |



ATTEND

www.attend.com.tw

DRAWN NAME: SO DIMM DDR3 Socket
1.5V 204Pin 9.2H Reverse Type

PRODUCT NO. 122A-92A10

FILE NAME 122A-92A10_D_1

△ Revise:

△ Revise:

△ Revise:

△

△

△