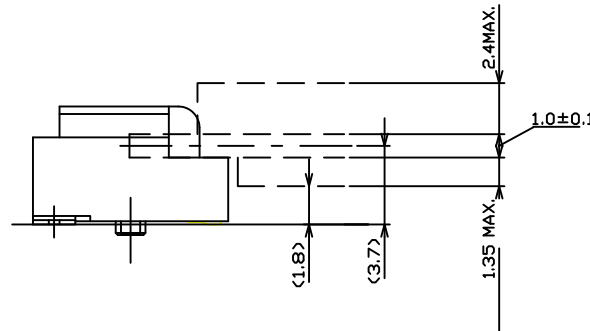
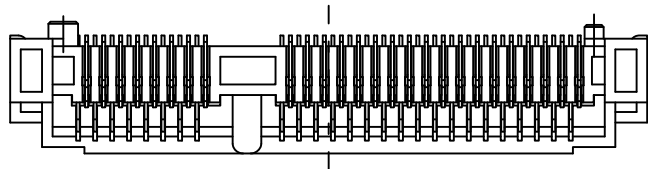
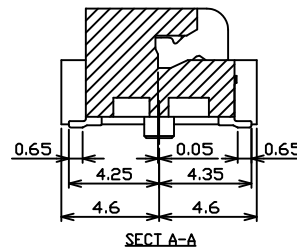
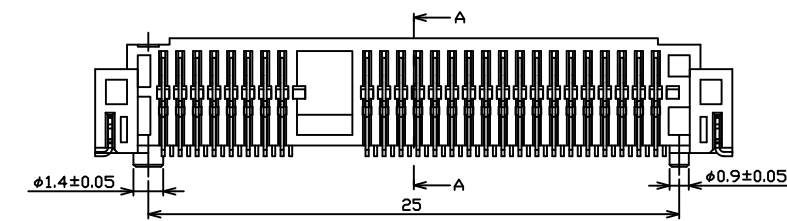
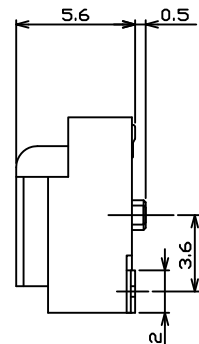
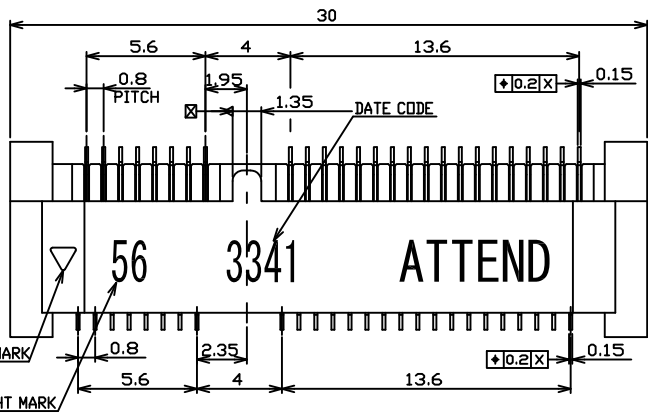


| | | | | | | | | | |
|----------------------|---|-----------------------|------------------------------|---|----------|--|---|---|----|
| 1 | 2 | 3 | 4 | 5 | 6 | 7 | 8 | 9 | 10 |
| SWITCH CIRCUIT | | | MATERIAL AND FINISH AS BELOW | | | | | | |
| WHEN CARD IS EJECTED | | WHEN CARD IS INSERTED | | A | Housing | LCP UL94V-0, Black | E | | |
| | | | | B | Contact | Phosphor Bronze C5210, Contact Area:Gold Flash Over Nickel | F | | |
| | | | | C | Holddown | Brass C2680, Tin Plated | G | | |
| | | | | D | | | H | | |



SPECIFICATION:

- 1. ELECTRICAL**
 - 1.1 Current Rating: 0.5A per pin
 - 1.2 Voltage Rating: 50V DC
 - 1.3 Contact Resistance: 55mΩ Max
 - 1.4 Insulation Resistance: 500MΩ Min
 - 1.5 Dielectric Withstanding Voltage: 300VAC
- 2. MECHANICAL**
 - 2.1 Durability: 100 Cycle
 - 2.2 Insertion Force: 2.3Kgf max.
 - 2.3 Extraction Force: 2.3Kgf max.
- 3. ENVIRONMENTAL**
 - 3.1 Operating temperature range: -40°C~+85°C
 - 3.2 Storage temperature range: -40°C~+85°C
- 4. SOLDER ABILITY**
 - 4.1 Recommended IR Reflow Temperature: 260°C 10Sec



| | | | | | | | | | | | |
|----|----|----|----|----|----|----|----|----|-----|-----|-----|
| P1 | P2 | P3 | P4 | P5 | P6 | P7 | P8 | P9 | P10 | P11 | P12 |
|----|----|----|----|----|----|----|----|----|-----|-----|-----|

| | | | | | | | | | | | |
|---|--|--|--|--|--|--|--|--|--|--|--|
| PIN ASSIGNMENT | | | | | | | | | | | |
| 119A-56A00-R04 Mini PCI Express Socket, Pitch:0.80mm H:5.6mm, Contact Area:Gold Flash | | | | | | | | | | | |

| | | | | | | | | | | | | | |
|-------------|--|--------------------------------------|----------|------------|-------------|---|----------------|---|------|------|------|---------------------------------|--------------------|
| PRODUCT NO. | | DESCRIPTION | | | | | | | | | | | |
| | | UNLESS OTHERWISE SPECIFIED TOLERANCE | | | | | | | | | | | |
| | | ANGLES | ANG. | ±5° | | | | | | | | | |
| | | LINEAR | 0. | ±0.3 | | | | | | | | | |
| | | | 0.0 | ±0.25 | | | | | | | | | |
| | | 0.00 | ±0.20 | | | | | | | | | | |
| | | SCALE | AS SHOWN | UNIT: mm | | | | | | | | www.attend.com.tw | |
| | | DRAWN | Willis | 2014/01/08 | | | | | | | | DRAWN NAME: | |
| | | CHECKED | Angel | 2014/01/08 | | | | | | | | Mini PCI Express Socket H:5.6mm | |
| | | APPROVED | Ken | 2014/01/08 | PRODUCT NO. | | 119A-56A00-R04 | | | | | | |
| REV. | | DESCRIPTION | | DATE | REV. | | DESCRIPTION | | DATE | SIZE | REV. | FILE NAME | |
| 1 | | 2 | | 3 | | 4 | | 5 | | 6 | A4 | 1.0 | 119A-56A00-R04_B_1 |

3

2

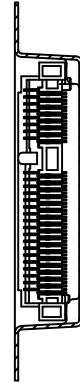
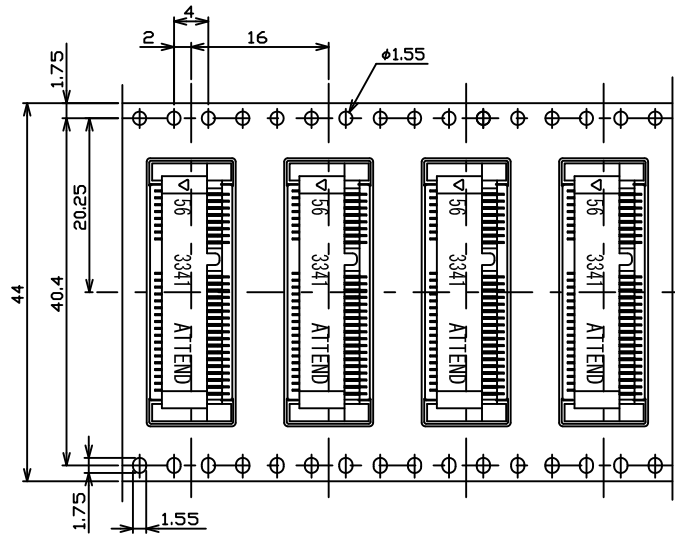
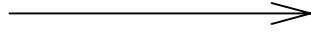
1

3

2

1

DIRECTION OFF TOP OF REEL

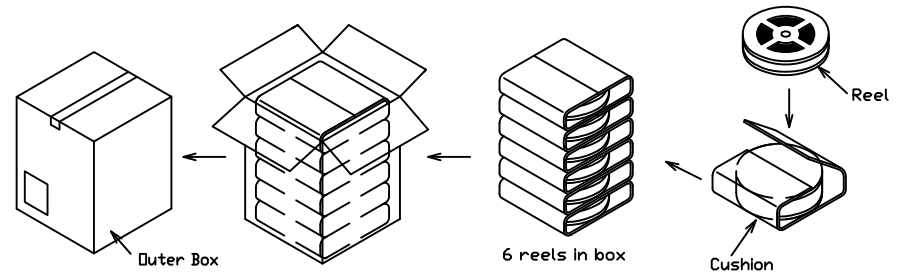
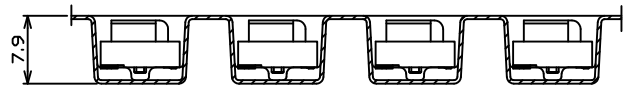
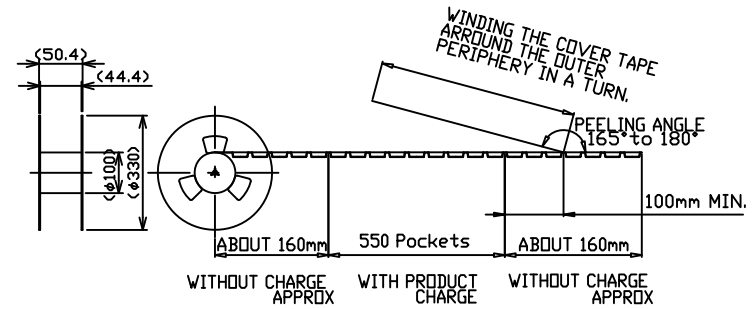


NOTE:

1. PEELING RESISTANCE: 0.1N~0.13N (10gf~130gf)
 PEELING ANGLE: 165°~180°
 PEELING SPEED: 300mm/min

2. PACKING STYLE

- 550PCS/REEL
- 6REEL/CARTON



BOX PACKING

| UNLESS OTHERWISE SPECIFIED TOLERANCE | | |
|--------------------------------------|----------|------------|
| ANGLES | ANG. | ±5° |
| LINEAR | 0. | ±0.3 |
| | 0.0 | ±0.25 |
| | 0.00 | ±0.20 |
| SCALE | AS SHOWN | UNIT: mm |
| DRAWN | Willis | 2014/01/08 |
| CHECKED | Angel | 2014/01/08 |
| APPROVED | Ken | 2014/01/08 |



www.attend.com.tw

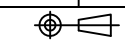
DRAWN NAME: Mini PCI Express Socket H:5.6mm

PRODUCT NO. 119A-56A00-R04

FILE NAME 119A-56A00-R04_D_1

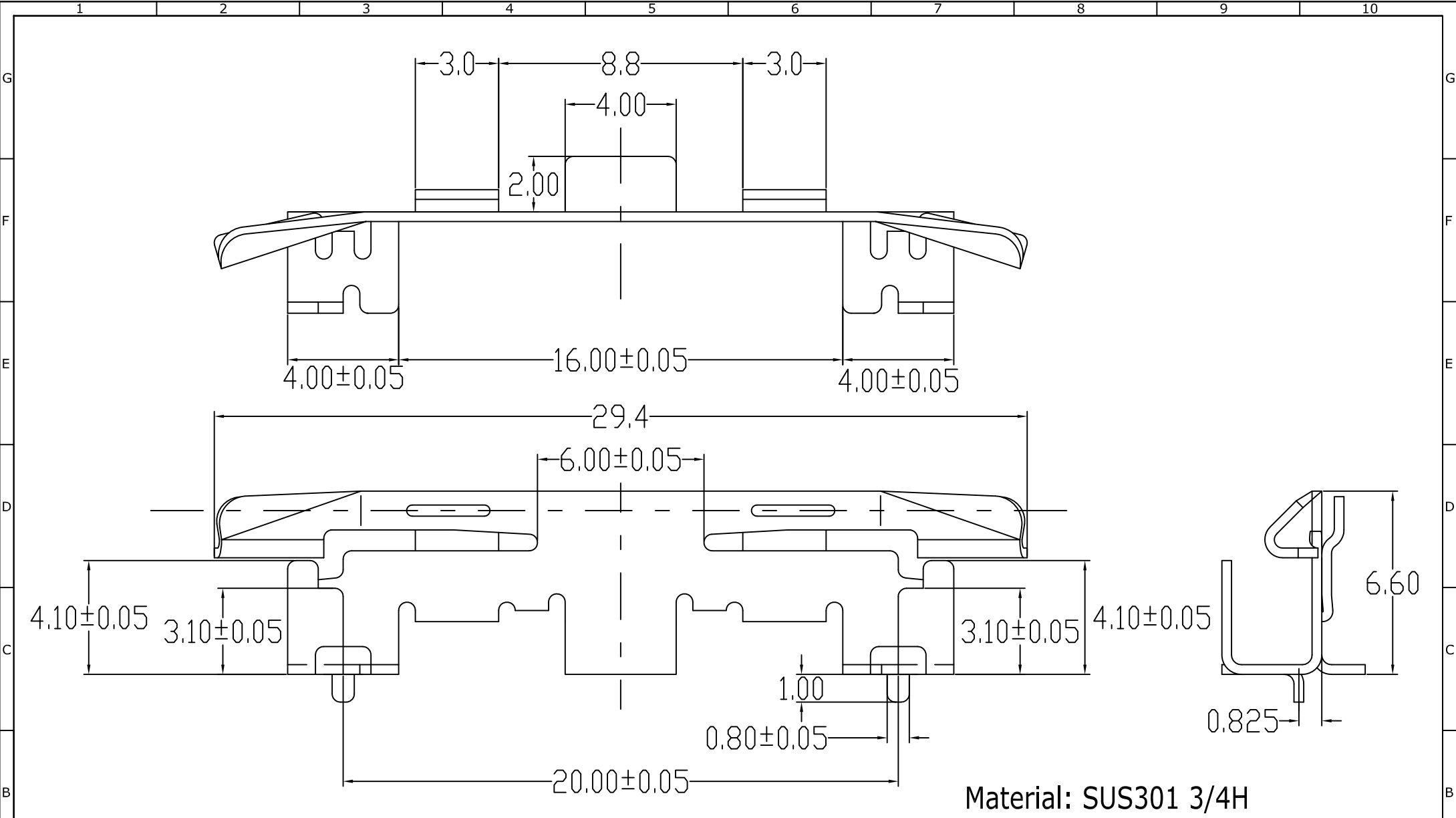
| REV. | DESCRIPTION | DATE | REV. | DESCRIPTION | DATE |
|------|-------------|------|------|-------------|------|
| 1 | | | 2 | | |
| 3 | | | 4 | | |
| 5 | | | 6 | | |
| 7 | | | 8 | | |
| 9 | | | 10 | | |

| | | | | | |
|---|---------|--|--|--|--|
| 3 | Revise: | | | | |
| 3 | Revise: | | | | |
| 3 | Revise: | | | | |



SIZE A4

REV. 1.0



Material: SUS301 3/4H

| UNLESS OTHERWISE SPECIFIED TOLERANCE | | |
|--------------------------------------|----------|------------|
| ANGLES | ANG. | ±5° |
| LINEAR | 0. | ±0.3 |
| | 0.0 | ±0.25 |
| | 0.00 | ±0.20 |
| SCALE | AS SHOWN | UNIT: mm |
| DRAWN | Willis | 2014/04/23 |
| CHECKED | Angel | 2014/04/23 |
| APPROVED | Ken | 2014/04/23 |



www.attend.com.tw

DRAWN NAME:
Mini PCI Express Latch 5.6H

PRODUCT NO. 119A-56LATCH

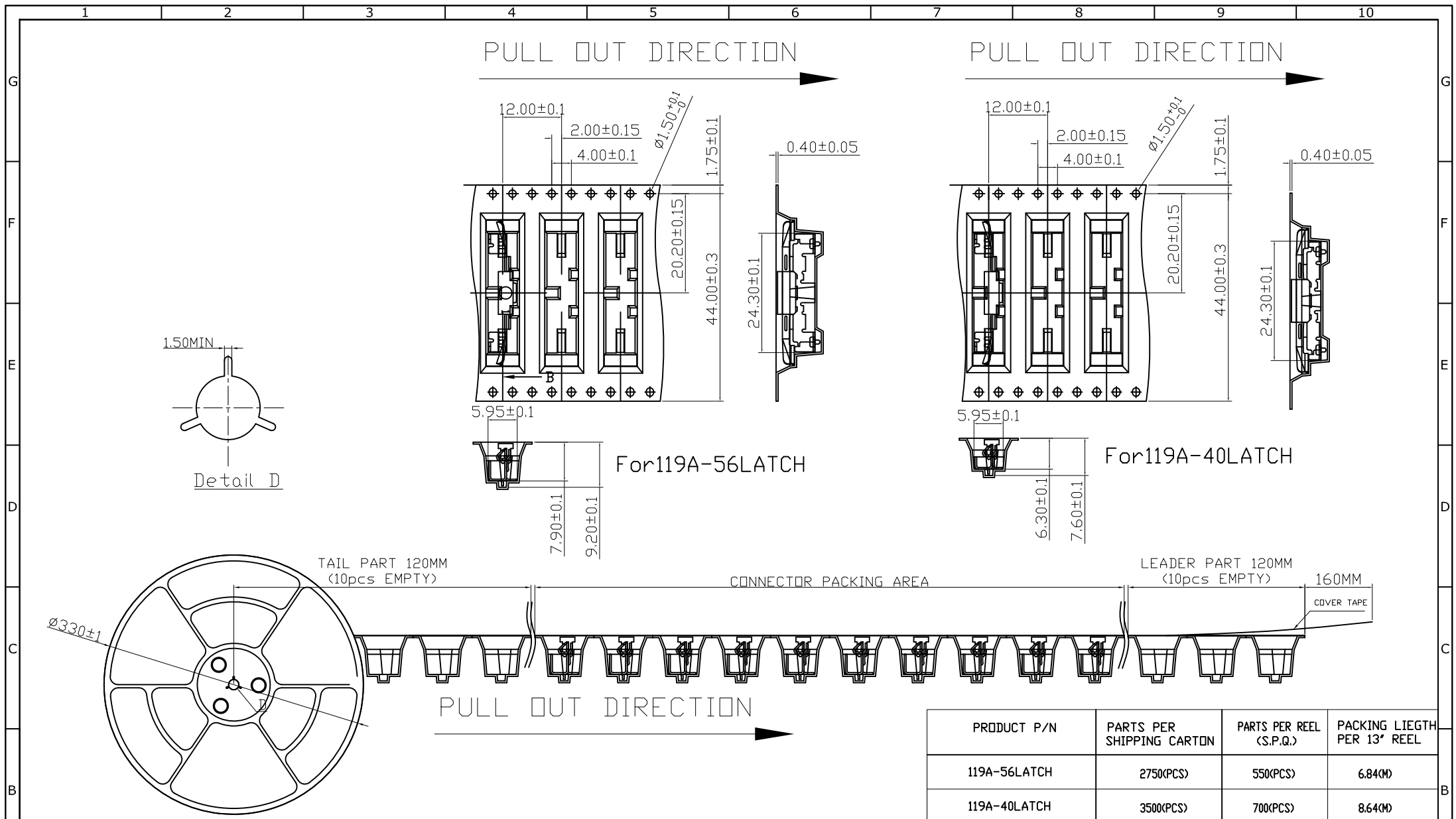
FILE NAME 119A-56LATCH_B_1

| REV. | DESCRIPTION | DATE | REV. | DESCRIPTION | DATE |
|------|-------------|------|------|-------------|------|
| 1 | | | 2 | | |
| 3 | | | 4 | | |
| 5 | | | 6 | | |
| 7 | | | 8 | | |
| 9 | | | 10 | | |



SIZE A4

REV. 1.0



| PRODUCT P/N | PARTS PER SHIPPING CARTON | PARTS PER REEL (S.P.Q.) | PACKING LIEGTH PER 13' REEL |
|--------------|---------------------------|-------------------------|-----------------------------|
| 119A-56LATCH | 2750(PCS) | 550(PCS) | 6.84(M) |
| 119A-40LATCH | 3500(PCS) | 700(PCS) | 8.64(M) |

| REV. | DESCRIPTION | DATE | REV. | DESCRIPTION | DATE |
|------|-------------|------|------|-------------|------|
| 1 | | | 4 | | |
| 2 | | | 5 | | |
| 3 | | | 6 | | |

| UNLESS OTHERWISE SPECIFIED TOLERANCE | | |
|--------------------------------------|----------|------------|
| ANGLES | ANG. | ±5° |
| LINEAR | 0. | ±0.3 |
| | 0.0 | ±0.25 |
| | 0.00 | ±0.20 |
| SCALE | AS SHOWN | UNIT: mm |
| DRAWN | Willis | 2014/04/23 |
| CHECKED | Angel | 2014/04/23 |
| APPROVED | Ken | 2014/04/23 |
| SIZE | A4 | REV. 1.0 |

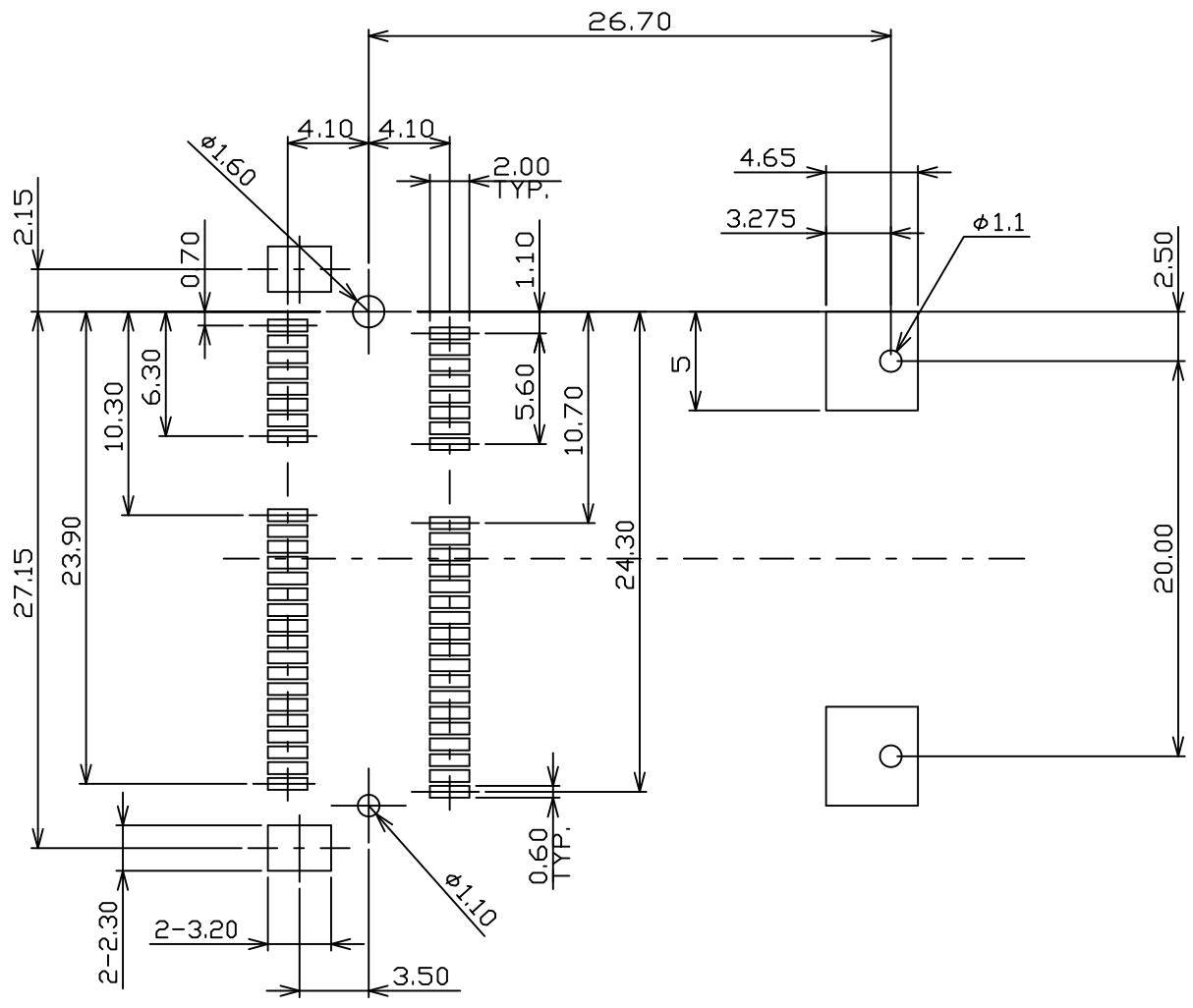
ATTEND
www.attend.com.tw

DRAWN NAME: Mini PCI Express Latch Packing

PRODUCT NO. 119A-XXLATCH
FILE NAME 119A-XXLATCH_D_1

A

A



RECOMMEND PC BOARD LAYOUT
GENERAL TOLERANCE: ±0.05mm

| UNLESS OTHERWISE SPECIFIED TOLERANCE | | |
|--------------------------------------|----------|------------|
| ANGLES | ANG. | ±5° |
| LINEAR | 0. | ±0.3 |
| | 0.0 | ±0.25 |
| | 0.00 | ±0.20 |
| SCALE | AS SHOWN | UNIT: mm |
| DRAWN | Willis | 2014/01/08 |
| CHECKED | Angel | 2014/01/08 |
| APPROVED | Ken | 2014/01/08 |



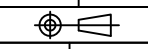
www.attend.com.tw

DRAWN NAME:
Mini PCI Express Socket H:5.6mm

PRODUCT NO. 119A-56A00-R04

FILE NAME 119A-56A00-R04_B_1

| REV. | DESCRIPTION | DATE | REV. | DESCRIPTION | DATE |
|------|-------------|------|------|-------------|------|
| | | | | | |
| | | | | | |
| | | | | | |
| | | | | | |
| | | | | | |
| | | | | | |
| | | | | | |
| | | | | | |
| | | | | | |



SIZE A4

REV. 1.0

Revise:

Revise:

Revise:

REV.

1

2

3

DATE

REV.

DESCRIPTION

6

DATE

8

9

10

A

A

B

B

C

C

D

D

E

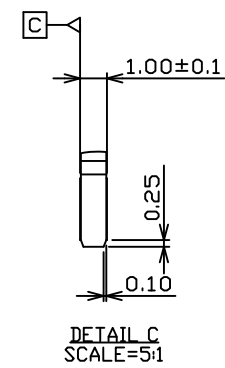
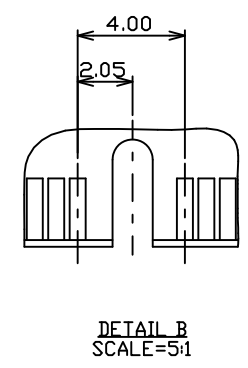
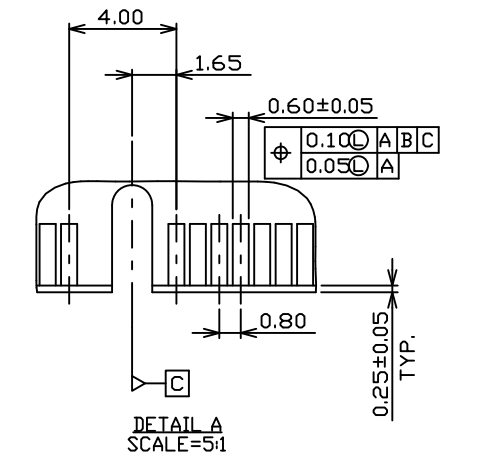
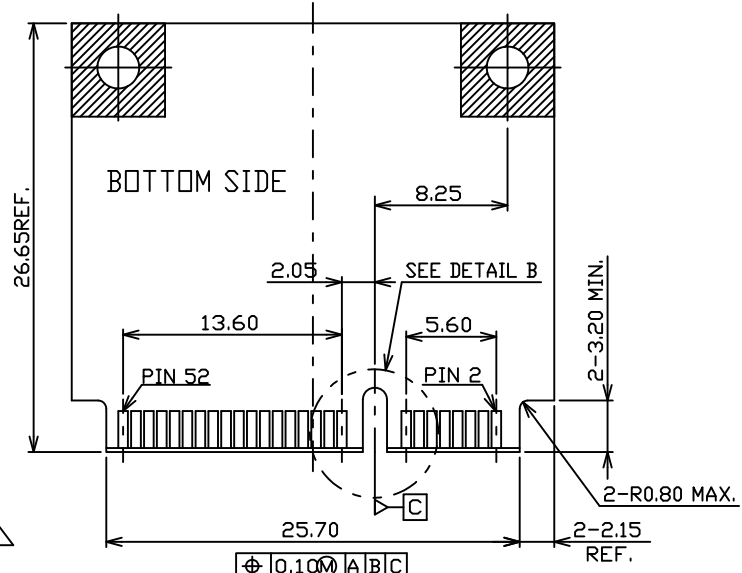
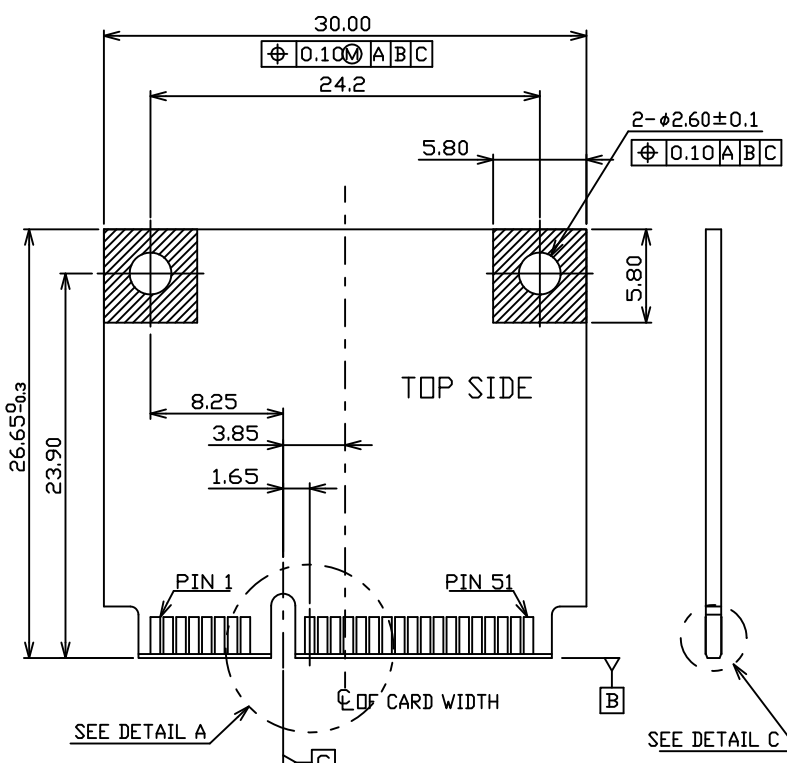
E

F

F


G

G



| REV. | DESCRIPTION | DATE | REV. | DESCRIPTION | DATE |
|------|-------------|------|------|-------------|------|
| 1 | | | 2 | | |
| 2 | | | 3 | | |
| 3 | | | 4 | | |
| 4 | | | 5 | | |
| 5 | | | 6 | | |
| 6 | | | 7 | | |

| UNLESS OTHERWISE SPECIFIED TOLERANCE | | |
|--------------------------------------|----------|------------|
| ANGLES | ANG. | ±5° |
| LINEAR | 0. | ±0.3 |
| | 0.0 | ±0.25 |
| | 0.00 | ±0.20 |
| SCALE | AS SHOWN | UNIT: mm |
| DRAWN | Willis | 2014/01/08 |
| CHECKED | Angel | 2014/01/08 |
| APPROVED | Ken | 2014/01/08 |



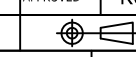
www.attend.com.tw

DRAWN NAME: Mini PCI Express Socket H:5.6mm

PRODUCT NO. 119A-56A00-R04

FILE NAME 119A-56A00-R04_B_1

⚠️ Revise:
 ⚠️ Revise:
 ⚠️ Revise:



SIZE A4
 REV. 1.0