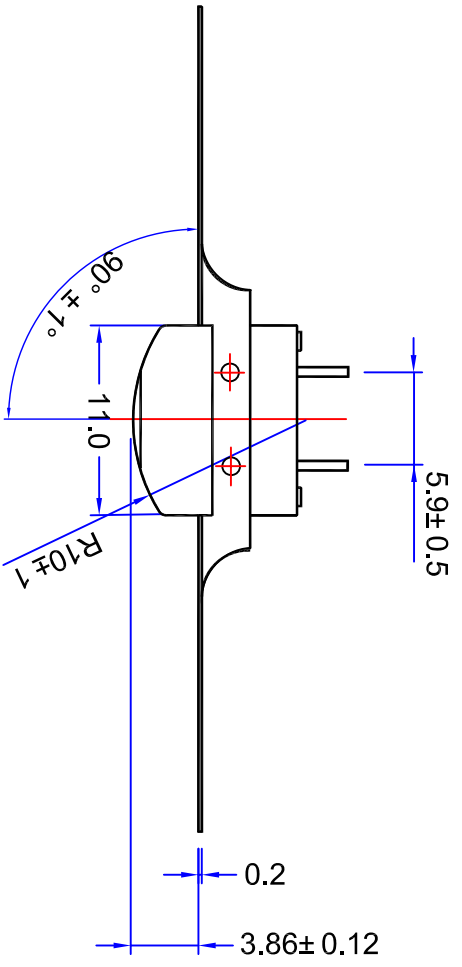
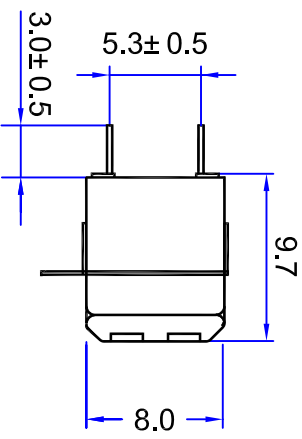
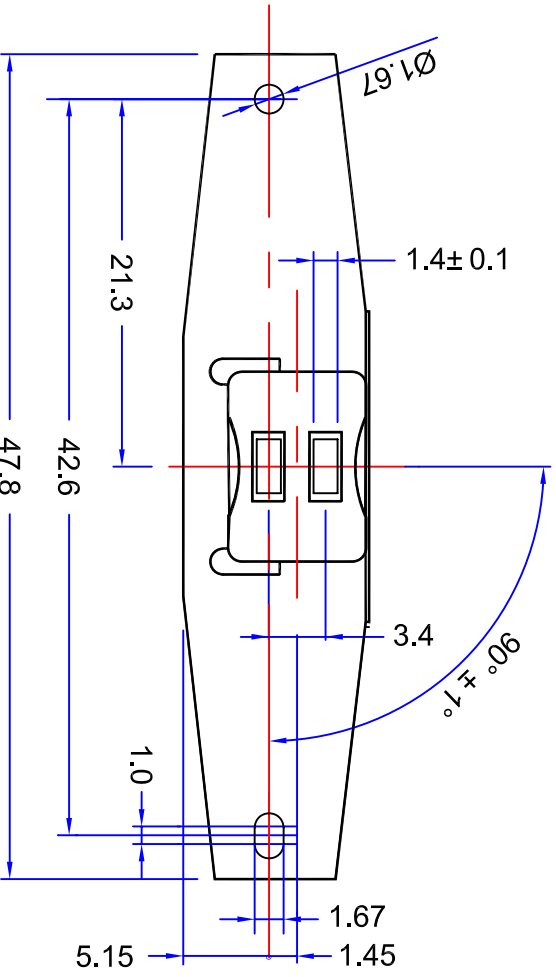


DRAWN BY	James	CHECKED BY	Sue	APPROVED BY	Matt	APPROVAL DATE: Mar 1 2012	PAGE 1 OF 1
----------	-------	------------	-----	-------------	------	---------------------------	-------------



SPECIFICATIONS

COIL INDUCTANCE	110mH ± 25% AT 1KHZ 100UA
COIL DCR	280Ω ± 20% AT D.C 100UA
INSULATION RESISTANCE	50MΩ MIN AT D.C 250V
EARTHING RESISTANCE	10Ω MAX AT 100UA
GAP LENGTH	12.5 ± 1μm
CORE TRACK(E.T.W.)	1.4 mm EACH
READ OUTPUT	35mV ± 25% AT 7.5IPS, 210BP1 LOAD 10KΩ//200pF
RESULATION	85% MIN 420/210 FCI
CORE MATERIAL	HARD PERMALLOY

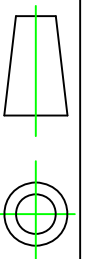
APOLLO APOLLO(ZHUHAI)ELEC CO., LTD.

TITLE TWO TRACK READ HEAD ASSY.

MODEL AP-R2003

THIS DRAWING AND SPECIFICATION IS THE PROPERTY OF APOLLO(ZHUHAI) ELECTRONICS CO.,LTD.AND SHALL NOT BE REPRODUCED, COPIED, OR USED AS THE BASIS FOR THE MANUFACTURE OR SALE OF APPARATUS OR DEVICES WITHOUT PERMISSION

UNLESS OTHERWISE SPECIFIED: ALL DIMENSIONS IN MM; TOLERANCE ± 0.2; NOT TO SCALE



FILE CODE
DWG NO JY0-3-160-ZG/A