

# EJECTOR HEADER 2.54mm



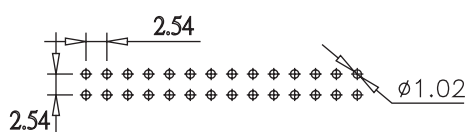
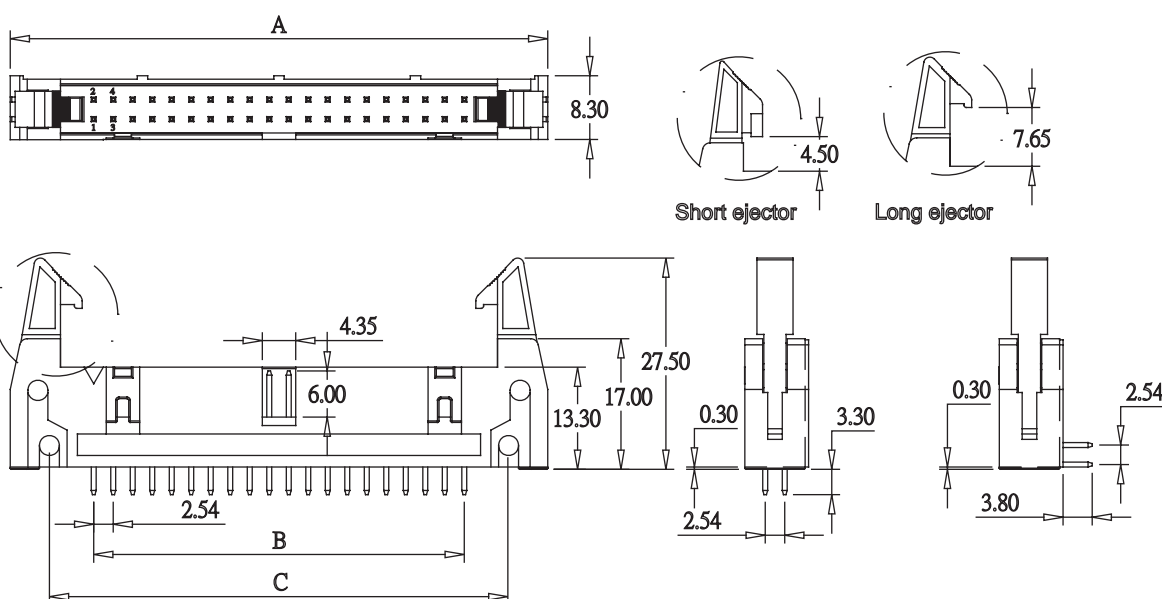
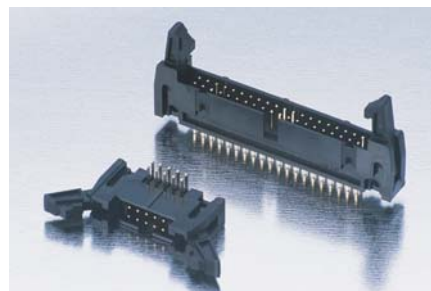
## EJECTOR HEADER 2.54mm Straight/Right Angle TYPE

### SPECIFICATION

Current Rate:3 AMP  
 Insulation Resistance:1000MΩ Min  
 Contact Resistance:20mΩ Max  
 Dielectric voltage:1000V AC for one minute  
 Operation Temperature:-40 °C to + 105°C

### MATERIAL

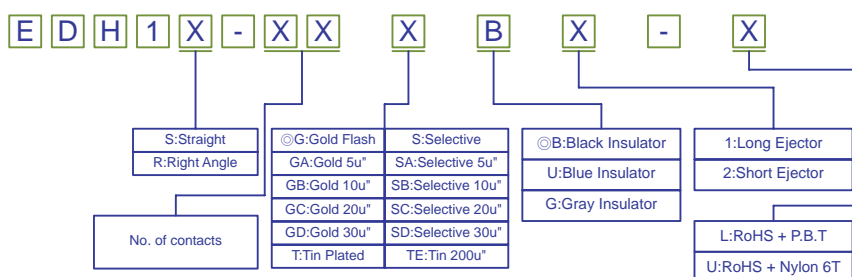
Insulator:Polyester,UL 94V-0  
 ◎ Standard:P.B.T or Nylon 6T  
 Contact Pin:Brass  
 Finish:Tin, Gold Plated  
 ◎Standard:Gold Flash all over



Recommended PCB layout  
 (PCB TOLERANCE ±0.05)

No. of Contacts	A	B	C
10	31.90	10.16	21.70
14	36.98	15.24	26.78
16	39.52	17.78	29.32
20	44.60	22.86	34.40
26	52.22	30.48	42.02
30	57.30	35.56	47.10
34	62.38	40.64	52.18
40	70.00	48.26	59.80
50	82.70	60.96	72.50
60	95.40	73.66	85.20
64	100.48	78.74	90.28

## ORDER INFORMATION



©:Standard Recommend

RoHS Compliant