

--	--	--

PRODUCT DRAWING	CUSTOMER NO.:	
	FILENAME:	REVISION:
DRAWING OF CU173A-01	ORIGINAL DATE: 10 APR 2006	TOTAL PAGES: 3
	EFFECTIVE DATE:	
<input checked="" type="checkbox"/> INITIATE <input type="checkbox"/> REVISE		

REVISIONS

REV	DESCRIPTION	DATE

ORIGINATOR	DESIGN MGR.
------------	-------------



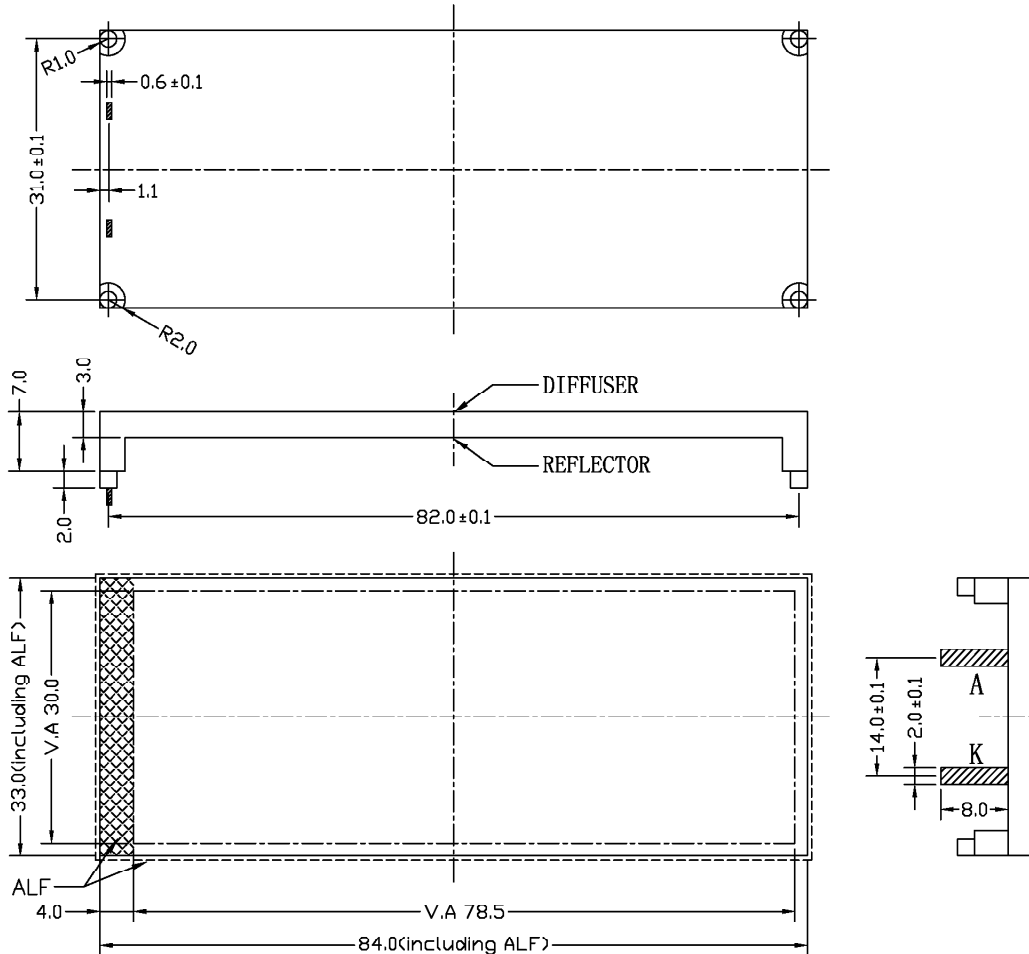
Please sign and fax back this page to confirm this drawing.
Please indicate if you need samples.

Authorized Signatures

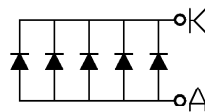
1. MECHANICAL OUTLINE

COLOR : Blue

Unspecified Tolerances is ± 0.2



2. CIRCUIT DIAGRAM (LED 1x5=5 dies)



3. STORAGE & SOLDERING CONDITIONS:

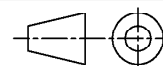
- Store with care. Storing the units in bad condition will cause the reflector sheet and decrease its adhesive power. Storage The products under the condition: temperature ($25^{\circ}\text{C} \pm 10^{\circ}\text{C}$) and humidity ($65^{\circ}\text{CRH} \pm 20^{\circ}\text{CRH}$) our recommendation.
- The Soldering Temperature is $260 \pm 5^{\circ}\text{C}$ and Soldering Time should be less than 3 sec, and soldering iron power is 30W or less than 30W.
- The soldering point should be farther than 1.6mm (1/10") from body .

Designed by:

Checked by:

File name:

Unit:
mm



Sheet:
2 of 3

4. ABSOLUTE MAXIMUM RATINGS

REV.

Unless specified, The Ambient temperature $T_a=25^{\circ}\text{C}$

Item	Symbol	Conditions	Rating	Unit
* Absolute maximum forward current	Ifm		125	mA
* Peak forward current	Ifp	1 msec Plus 10% Duty Cycle	300	mA
Reverse Voltage	Vr		5	v
* Power dissipation	Pd		400	mW
Operating Temperature Range	Topr		-30~+70°C	°C
Storage Temperature Range	Tstg		-40~+80°C	°C

*

For operation above 25°C , The Ifm Ifp & Pd must be derated, the Current derating is $-1.80\text{ mA}/^{\circ}\text{C}$ for DC drive and $-4.30\text{ mA}/^{\circ}\text{C}$ for Pulse drive, the Power dissipation is $-3.75\text{ mW}/^{\circ}\text{C}$. The product working current must not more than the 60 % of the Ifm or Ifp according to the working temperature.

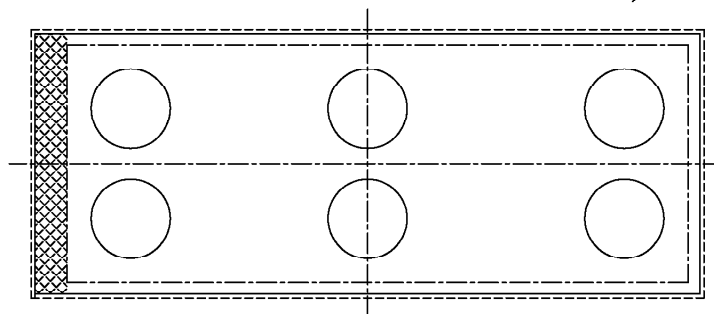
5. ELECTRICAL-OPTICAL CHARACTERISTICS

Unless specified, The Ambient temperature $T_a=25^{\circ}\text{C}$

Item	Symbol	min.	typ.	max.	Unit	Condition
Forward Voltage	Vf	3	3.2	3.4	v	If= 100 mA
Reverse Current	Ir			125	μA	Vr= 5 v
Peak wave length	λ_p		470		nm	If= 100 mA
Spectral Line Half width	$\Delta\lambda$		30		nm	If= 100 mA
* Luminance	Lv				cd/m^2	If= 100 mA

*

The luminance is the average value of 5 points, and
The $L_{v\text{max.}}/L_{v\text{min.}}$ is less than 1.5 Typical (max 1.7).
The measurement instrument is BM-7/Tes 1330A luminance



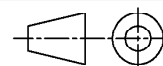
Designed by:

Checked by:

File name:

Unit:

mm



Sheet:

3 of 3