

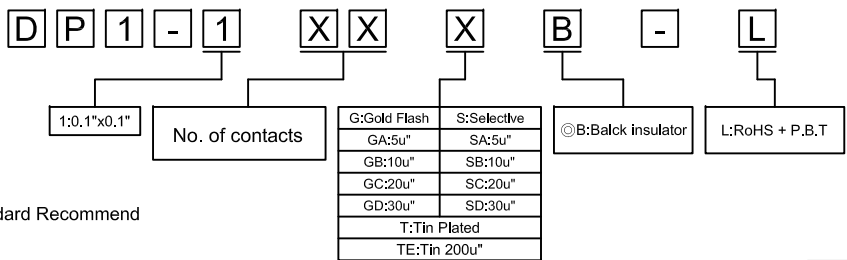
**SPECIFICATION**

Current Rate:1 AMP  
 Insulation Resistance:1000M Ω Min  
 Contact Resistance:20m Ω Max  
 Dielectric voltage:500V AC for one minute  
 Operation Temperature:-40°C to +105°C

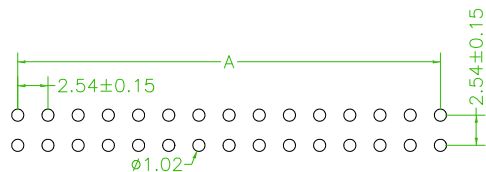
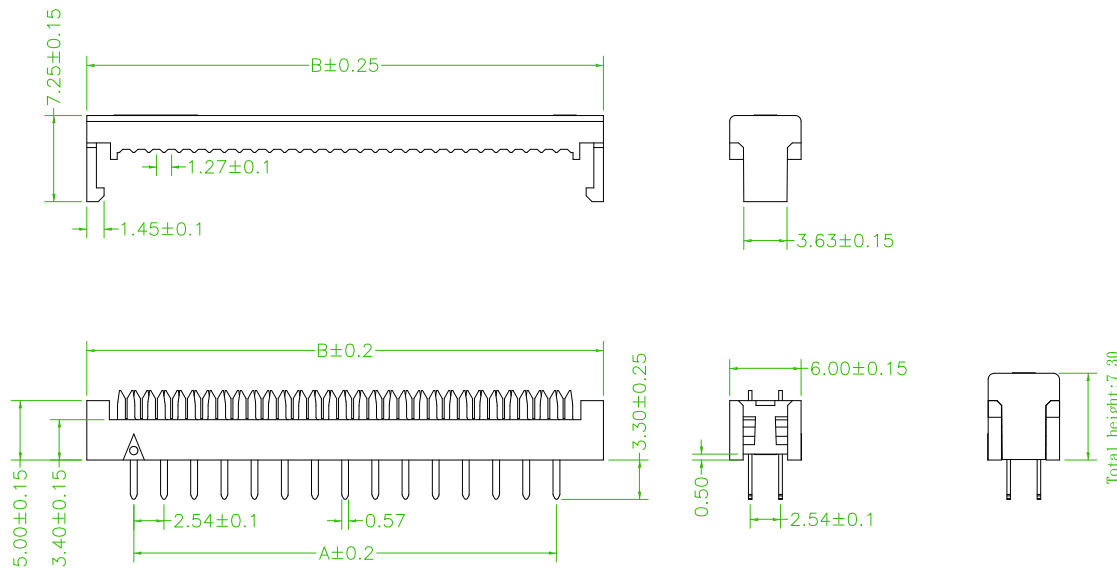
**MATERIAL**

Insulator:PBT , UL94V-0  
 Contact Pin:Copper Alloy

**ORDER INFORMATION**



Pin	Dim. A	Dim. B
06P	5.08	12.98
08P	7.62	15.52
10P	10.16	18.06
12P	12.70	20.60
14P	15.24	23.14
16P	17.78	25.68
18P	20.32	28.22
20P	22.86	30.76
24P	27.94	35.84
26P	30.48	38.38
30P	35.56	43.46
34P	40.64	48.54
40P	48.26	56.16
44P	53.34	61.24
50P	60.96	68.86
60P	73.66	81.56
64P	78.74	86.64



RECOMMEND P.C.B BOARD LAYOUT

<p>Amtek Technology Co., Ltd.                  TEL:886-2-2260-6878                  FAX:886-2-2260-6030</p>	品名 TITLE	DIP PLUG 2.54mm			
	品號 PART NO.	DP1-1XX-L		日期 DATE	2015/10/12
	圖號 DRAWING NO.	版本 REV.	A	繪圖 DRAWN	Roy
	客戶品號 CUSTOMER P/N	比例 SCALE	FREE	核對 CHECKED	Owen
	公差 TOLERANCE	.X ±0.20 .XX ±0.15	單位 UNIT	mm	核准 APPROVED

AREA	REV.	DESCRIPTION	DATE