

# ATTENUATORS

Type N, up to 18 GHz, 20 Watts

## SPECIFICATIONS:

Models: XXN20W-XX, XXN20W-XXF & XXN20W-XXM

**RoHS**  
Compliant

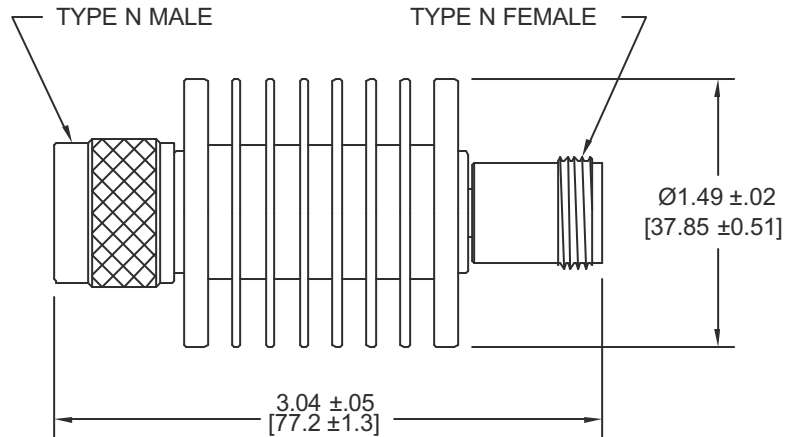
<b>Electrical:</b>			
Frequency Range	DC - 18.0 GHz		
Standard Freq. Values	6, & 18 GHz		
Standard dB Values	0, 3, 6, 10, 20, 30 & 40 dB		
Attenuation Accuracy	DC - 6 GHz	6 - 12.4 GHz	12.4 - 18 GHz
3 & 6 dB	±0.30 dB	±0.50 dB	±0.75 dB
10 & 20 dB	±0.50 dB	±0.75 dB	±1.00 dB
30 & 40 dB	±0.75 dB	±1.00 dB	±1.50 dB
<b>VSWR</b>			
DC - 6 GHz	1.20:1 Max.		
6 - 12.4 GHz	1.30:1 Max.		
12.4 - 18 GHz	1.40:1 Max.		
Input Power	20 Watts Avg. @ 25°C		
	Derated Linearly to 4 Watts @ +125°C		
Peak Power	500 Watts Max.		
	(5uSec Pulse, .05% Duty Cycle)		
Impedance	50 Ohms		
Operating Temp Range	-65°C to +125°C		
<b>Mechanical:</b>			
Type N Connectors	Passivated Stainless Steel		
	Mates with MIL-STD-348		
Conductors	Gold Plated Beryllium Copper		
Housing	Anodized Aluminum		



Model Number: **XXN20W-XX**  
Male/Female Connectors  
Length: 3.04 ±.05 [77.2 ±1.3]  
Pictured

Model Number: **XXN20W-XXF**  
Female/Female Connectors  
Length: 3.12 ±.05 [79.3 ±1.3]

Model Number: **XXN20W-XXM**  
Male/Male Connectors  
Length: 2.95 ±.05 [74.9 ±1.3]



## HOW TO ORDER:

Model Number: **XXN20W-XXY**

Freq. Range: 6 = DC - 6 GHz, 18 = DC - 18 GHz  
 Connector Configuration: = Male/Female, F = Fem/Fem, M = Male/Male  
 dB Value

## Ordering Examples:

Model Number: **18N20W-20**  
DC - 18 GHz; 20 dB; Type N - Male/Fem

Model Number: **6N20W-02F**  
DC - 6 GHz; 2 dB; Type N - Fem/Fem

Note: Dimensions in Brackets are Expressed in Millimeters and are for Reference Only.  
Design specifications are subject to change without notice.  
Contact factory for technical specifications before purchasing or use.

XXN20W-XX: REV D (M)



Aeroflex / Inmet, Inc. • 300 Dino Drive, Ann Arbor, MI 48103 • U.S.A.  
888-244-6638 or 734-426-5553 • FAX: 734-426-5557  
www.aeroflex-inmet.com • inmet-sales@aeroflex.com