

Fixed Coaxial Attenuators



Model 40

Model 57

High Power Fixed Coaxial Attenuator

Type N Connectors

dc to 1.5 GHz

dc to 5.0 GHz

150 Watts

RoHS



Features

- Quality connectors with special high temperature support beads.
- Designed to meet environmental requirements of MIL-A-3933.

Specifications

NOMINAL IMPEDANCE: 50 Ω

FREQUENCY RANGE: Model 40: dc to 1.5 GHz
Model 57: dc to 5.0 GHz

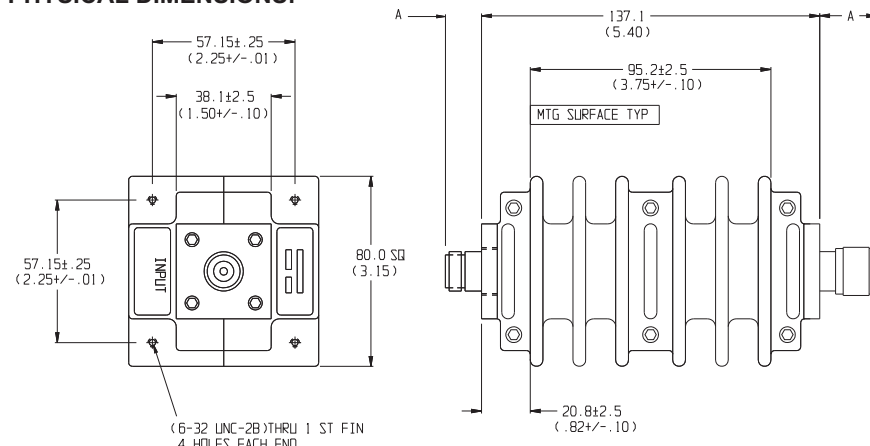
Nominal ATTN (dB)	Deviation (dB)		
	40	57	57-LIM
3*	± 0.50	± 1.25	---
6, 10	± 0.50	± 1.25	± 1.75
20, 30	± 0.50	± 1.50	± 2.00
40	± 0.50	± 2.00	± 2.00

MAXIMUM SWR:		
Frequency (GHz)	Input	Output
dc - 2 (1.5*)	1.10	1.20 (1.10*)
2 - 5	1.15	1.20

* Model 40 only!

3rd ORDER INTERMODULATION (57-XX-XX-LIM ONLY): Reflected Levels (IM3), -100 & Through Levels (IM3), -110 dBc with two input signals @ 869 MHz and 891 MHz with average carrier power levels of +43 dBm each. Option only available 6, 10, 20, 30, 40 dB.

PHYSICAL DIMENSIONS:



Connector	DIM A
N Male	22.9 (0.90)
N Female	15.0 (0.59)

NOTE:

- All dimensions are given in mm (inches) and are maximum, unless otherwise specified.
- Unit available with RoHS compliant materials, specify when ordering.

POWER RATING (mounted horizontally with fins vertical): 150 watts **average** (unidirectional) to 55°C ambient temperature, derated linearly to 10% @ 125°C. Note: 3 dB model can handle 300 Watts **average** (unidirectional). 10 kilowatt **peak** (5 μsec pulse width; 0.75% duty cycle). Maximum power rating into output port is 20 watts average.

POWER COEFFICIENT: <0.0001 dB/dB/watt

TEMPERATURE COEFFICIENT: <0.0004 dB/dB/°C

TEMPERATURE RANGE: -55°C to 125°C

TEST DATA: Insertion loss test data supplied at 0.05, 1, 2, 3, 4, and 5 GHz (Model 40 at 0.05 and 1.5 GHz). Other test data can be provided at additional cost.

CONNECTORS: Type N connectors per MIL-STD-348 interface dimensions - mate nondestructively with MIL-C-39012 connectors.

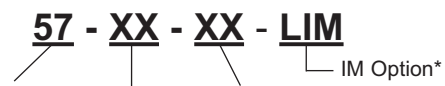
Connector Options	Type/Description
3	Type N, Female
4	Type N, Male

CONSTRUCTION: Aluminum alloy body, stainless steel connectors; gold plated beryllium female copper contacts and stainless steel male contacts.

WEIGHT: 1,130 g (2 lbs, 8 oz.) maximum

MODEL NUMBER DESCRIPTION:

Example:



Basic Model Number: 57
 Attenuation Value (dB): XX
 Connector Options: XX (1st digit is input side, 2nd digit is output side)
 IM Option*: LIM

* Add -LIM for Low Intermodulation option. Option only available with Model 57 in 6, 10, 20, 30, 40 dB and is not available through Express.