



152 series

USB B TYPE

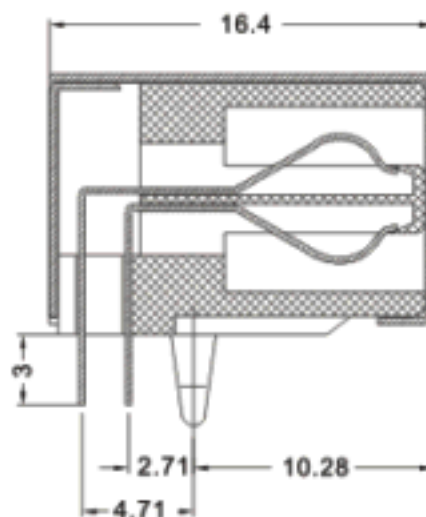
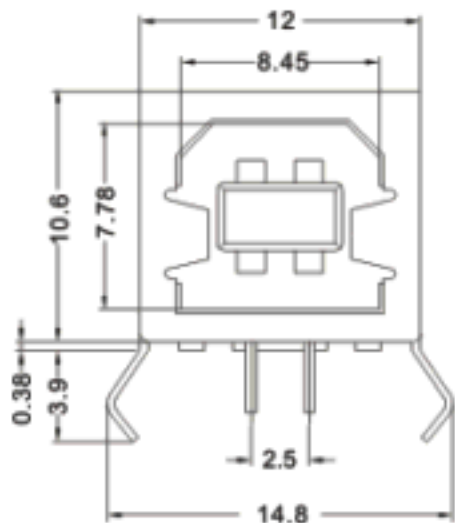
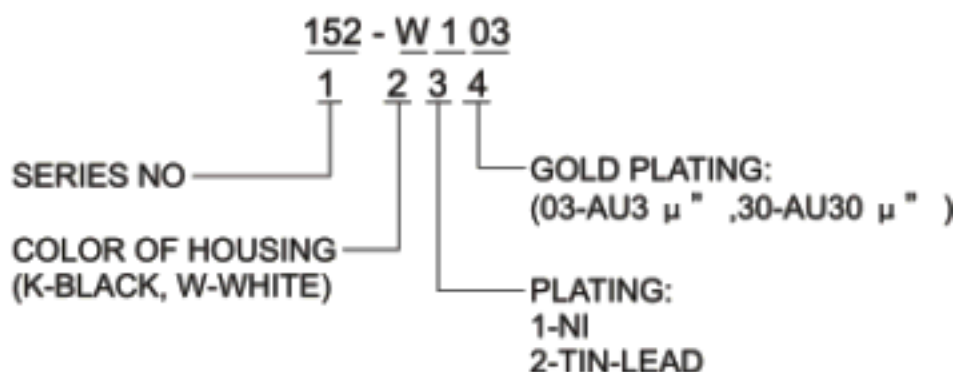
Specifications:

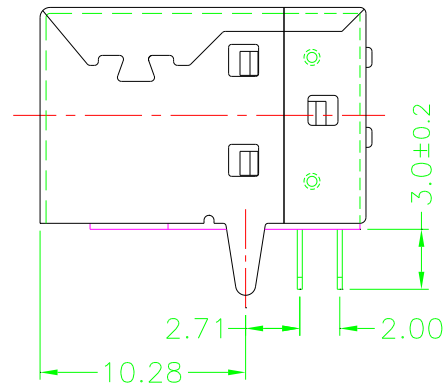
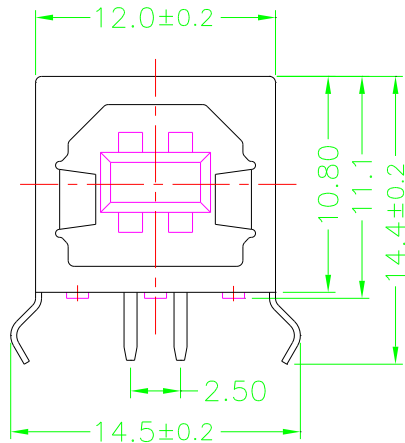
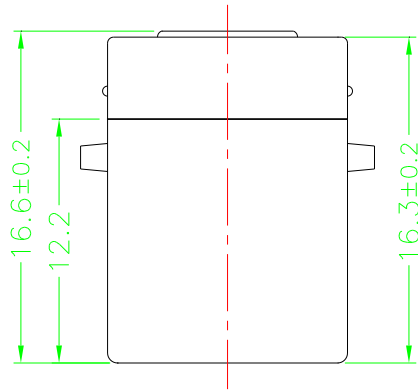
Contact Resistance: 30m Ω max.
 Insulator Resistance: 1000M Ω min.at DC 500V
 Current Rating: 1AMP
 Voltage Rating: 30V AC

Dielectric Withstanding

Housing: PBT&30% Glass Fiber(UL 94V-0)
 Contact: Phosphor Bronze
 Dielectric Strength: AC 500V For 1 minute

How To Order





Specifications:

Contact Resistance: 30mΩ max.

Insulator Resistance: 1000MΩ min.at DC 500V

Current Rating: 1AMP

Dielectric Withstanding

Dielectric Strength: AC 500V For 1 minute

Contact: Phosphor Bronze

Housing: PBT &30% Glass Fiber(UL 94V-0)

设计/Designed by	绘图/Drawing by	审核/Checked by	批准/Approved by	未注公差 General Tolerance	
				x. ±0.2	x." ±2°
				.x ±0.1	.x" ±1°
				.xx ±0.05	.xx" ±0.5°
				.xxx ±0.01	
 新亚联合科技 XINYA UNITED TECH CO.,LTD.		图名/Title		文件编号/File No.	
		152产品图		QJ/XYT-12117	
		备注 /Remark		页序/Sheet	
				单位/units: mm	