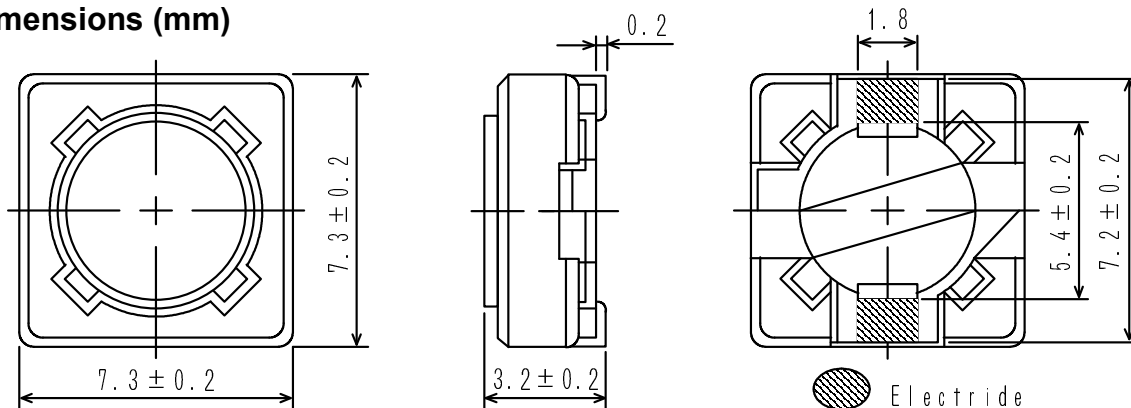
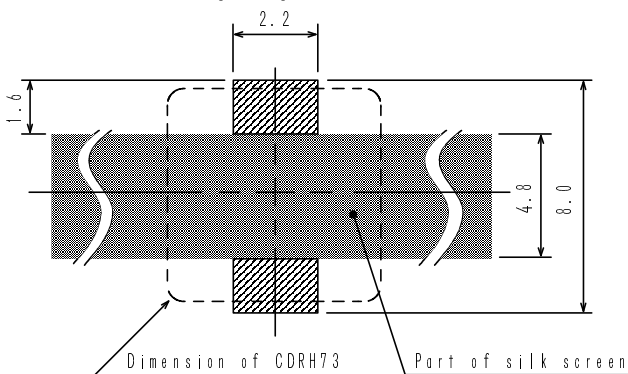


Type: CDRH73
◆ Product Description

- 7.5×7.5mm Max.(L×W), 3.4mm Max. Height.
- Inductance range: 10 μ H~1.0mH.
- Rated current range: 0.16~1.68A.
- In addition to the standard versions of inductors shown here, custom inductors are available to meet your exact requirements.


◆ Feature

- Magnetically shielded construction.
- Storage temperature range: -40°C ~+100°C.
- Operating temperature range: -40°C ~+100°C (Including coil's self temperature rise).
- Ideally used in Notebook PC, LCD TV,DVD, Game machine, STB ,Projector, etc as DC-DC converter inductors.
- RoHS compliance.

◆ Dimensions (mm)

◆ Land Pattern (mm)


Type: CDRH73
◆ Specification

Part No. ※	Stamp	Inductance (μ H) 1 kHz/1V	D.C.R.(Ω) Max.(Typ.) (at 20°C)	Rated Current (A)※1
CDRH73NP-100M□	100	10 \pm 20%	72m (55m)	1.68
CDRH73NP-120M□	120	12 \pm 20%	98m (75m)	1.52
CDRH73NP-150M□	150	15 \pm 20%	0.13 (96m)	1.33
CDRH73NP-180M□	180	18 \pm 20%	0.14 (0.11)	1.20
CDRH73NP-220M□	220	22 \pm 20%	0.19 (0.15)	1.07
CDRH73NP-270M□	270	27 \pm 20%	0.21 (0.16)	0.96
CDRH73NP-330M□	330	33 \pm 20%	0.24 (0.18)	0.91
CDRH73NP-390M□	390	39 \pm 20%	0.32 (0.25)	0.77
CDRH73NP-470M□	470	47 \pm 20%	0.36 (0.28)	0.76
CDRH73NP-560M□	560	56 \pm 20%	0.47 (0.36)	0.68
CDRH73NP-680M□	680	68 \pm 20%	0.52 (0.40)	0.61
CDRH73NP-820M□	820	82 \pm 20%	0.69 (0.53)	0.57
CDRH73NP-101M□	101	100 \pm 20%	0.79 (0.61)	0.50
CDRH73NP-121M□	121	120 \pm 20%	0.89 (0.69)	0.49
CDRH73NP-151M□	151	150 \pm 20%	1.27 (1.02)	0.43
CDRH73NP-181M□	181	180 \pm 20%	1.45 (1.16)	0.39
CDRH73NP-221M□	221	220 \pm 20%	1.65 (1.32)	0.35
CDRH73NP-271M□	271	270 \pm 20%	2.31 (1.85)	0.32
CDRH73NP-331M□	331	330 \pm 20%	2.62 (2.10)	0.28
CDRH73NP-391M□	391	390 20%	2.94 (2.35)	0.26
CDRH73NP-471M□	471	470 \pm 20%	4.18 (3.35)	0.24
CDRH73NP-561M□	561	560 \pm 20%	4.67 (3.73)	0.22
CDRH73NP-681M□	681	680 \pm 20%	5.73 (4.58)	0.19
CDRH73NP-821M□	821	820 \pm 20%	6.54 (5.23)	0.18
CDRH73NP-102M□	102	1000 \pm 20%	9.44 (7.55)	0.16

※ Description of part name

CDRH73NP-100M□
└─ B Box
└─ C Carrier Tape

※1. Rated current: The DC current at which the inductance decreases to 75% of it's nominal value or when $\Delta t=40^{\circ}\text{C}$, whichever is lower($T_a=20^{\circ}\text{C}$).