

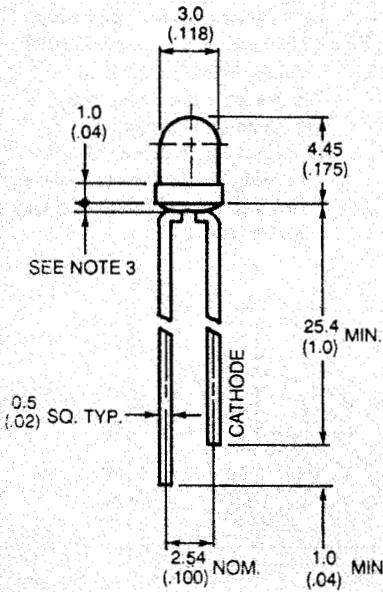
L-354XX series ...

3mm Dia LOW PROFILE LED LAMP

MAIN FEATURES :

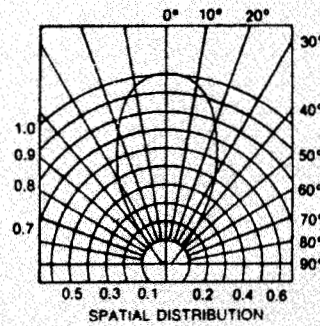
- ⊙ 3mm DIA LOW PROFILE LED LAMP
- ⊙ STANDARD 1" LEAD
- ⊙ I.C. COMPATIBLE
- ⊙ LOW POWER CONSUMPTION

◆ PACKAGE DIMENSIONS

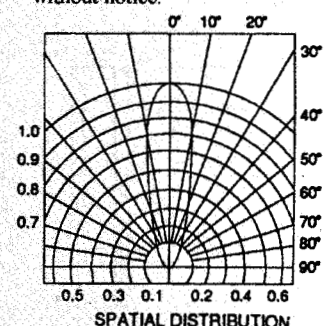


Notes:

1. All Dimension are in millimeter.
2. Tolerance is $\pm 0.25\text{mm}(0.010")$ unless otherwise specified.
3. Protruded resin under flange is 1.5mm(0.59") max.
4. Lead spacing is measured where the leads emerge from the package.
5. Specification are subject to change without notice.



L-354XD



L-354XC&XT

◆ SELECTION GUIDE AND APPLICATION INFORMATION (RATINGS AT 25°C AMBIENT)

Part No.	Chip		Lens Color	Wave Length λ p(nm)	Absolute Maximum Ratings				Electro-Optical Characteristics			View Angle (deg)			
	Raw Material	Emitted Color			$\Delta\lambda$ nm	Pd mW	If mA	If (Peak)	Vf(V) Min.	Vf(V) Typ.	Vf(V) Max.		If (Rec)	Iv (mcd) Min.	Iv (mcd) Typ.
L-354RD	GaAsP	Red	Red Diffused	655	40	110	40	200	1.5	1.7	2.0	10~20	0.5	3.0	60
L-354HD	GaP	Bright Red	Red Diffused	700	90	45	15	50	1.7	2.1	2.8	5~10	0.8	5.0	60
L-354ED	GaAsP/GaP	Hi. effi Red	Red Diffused	635	45	100	30	160	1.7	2.0	2.8	10~20	3.0	20.0	60
L-354ED-E	GaAsP/GaP	Orange	Orange Diffused	635	45	100	30	160	1.7	2.0	2.8	10~20	3.0	20.0	60
L-354GD	GaP	Green	Green Diffused	565	30	100	30	160	1.7	2.1	2.8	10~20	2.5	12.5	60
L-354YD	GaAsP/GaP	Yellow	Yellow Diffused	585	30	100	30	160	1.7	2.1	2.8	10~20	2.5	12.5	60
L-354AD	GaAsP/GaP	Amber	Amber Diffused	585	30	100	30	160	1.7	2.1	2.8	10~20	2.5	12.5	60
L-354I D	GaAlAs	Hi. effi Red	Red Diffused	625	20	60	20	160	1.6	1.8	2.1	10~20	20.0	50.0	60
L-354SRD	GaAlAs	Super Red	Red Diffused	660	20	60	20	160	1.6	1.8	2.1	10~20	50.0	100	60
L-354LRD	GaAlAs	Super Red	Red Diffused	660	20	60	20	160	1.6	1.8	2.1	10~20	100	200	60
L-354URD	GaAlAs	Super Red	Red Diffused	660	20	60	20	160	1.6	1.8	2.1	10~20	200	300	60
L-354HT	GaP	Bright Red	Red Transparent	700	90	45	15	50	1.7	2.1	2.8	5~10	5.0	10.0	30
L-354ET	GaAsP/GaP	Hi. effi Red	Red Transparent	635	45	100	30	160	1.7	2.0	2.8	10~20	12.0	40.0	30
L-354ET-E	GaAsP/GaP	Orange	Orange Transparent	635	45	100	30	160	1.7	2.0	2.8	10~20	12.0	40.0	30
L-354GT	GaP	Green	Green Transparent	565	30	100	30	160	1.7	2.1	2.8	10~20	8.0	20.0	30
L-354YT	GaAsP/GaP	Yellow	Yellow Transparent	585	30	100	30	160	1.7	2.1	2.8	10~20	8.0	20.0	30
L-354AT	GaAsP/GaP	Amber	Amber Transparent	585	30	100	30	160	1.7	2.1	2.8	10~20	8.0	20.0	30
L-354I T	GaAlAs	Hi. effi Red	Red Transparent	625	20	60	20	160	1.6	1.8	2.1	10~20	40.0	100	30
L-354SRT	GaAlAs	Super Red	Red Transparent	660	20	60	20	160	1.6	1.8	2.1	10~20	100	200	30
L-354LRT	GaAlAs	Super Red	Red Transparent	660	20	60	20	160	1.6	1.8	2.1	10~20	200	350	30
L-354URT	GaAlAs	Super Red	Red Transparent	660	20	60	20	160	1.6	1.8	2.1	10~20	350	500	30
L-354HC	GaP	Bright Red	Water Clear	700	90	45	15	50	1.7	2.1	2.8	5~10	5.0	15.0	30
L-354EC	GaAsP/GaP	Hi. effi Red	Water Clear	635	45	100	30	160	1.7	2.0	2.8	10~20	12.0	50.0	30
L-354GC	GaP	Green	Water Clear	565	30	100	30	160	1.7	2.1	2.8	10~20	8.0	30.0	30
L-354YC	GaAsP/GaP	Yellow	Water Clear	585	30	100	30	160	1.7	2.1	2.8	10~20	8.0	30.0	30
L-354I C	GaAlAs	Hi. effi Red	Water Clear	625	20	60	20	160	1.6	1.8	2.1	10~20	50.0	150	30
L-354SRC	GaAlAs	Super Red	Water Clear	660	20	60	20	160	1.6	1.8	2.1	10~20	150	500	30
L-354LRC	GaAlAs	Super Red	Water Clear	660	20	60	20	160	1.6	1.8	2.1	10~20	500	700	30
L-354URC	GaAlAs	Super Red	Water Clear	660	20	60	20	160	1.6	1.8	2.1	10~20	700	1000	30