

FEATURES AND SPECIFICATIONS

Features and Benefits

- Performance levels 1 and 2
- Flux proof option
- Dual opposing beam contact
- Board lock option
- Coding option
- Solder tails for 1.6mm (.062") and 3.2mm (.125") PCBs

Reference Information

Product Specification: PS-85042-0001

Packaging: Tray

UL File No.: E29179

CSA File No.: LR19980-390

Mates With:

85003—Right angle male style C

85013—Straight male style R

Electrical

Current: 1.5A

Contact Resistance: 20mΩ max.

Mechanical

Mating Force: 0.93N max.

Physical

Housing: Glass-filled polyester, UL 94 V-0

Contact: Copper Alloy

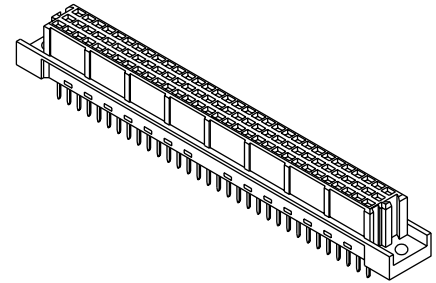
Operating Temperature: -55 to +125°C



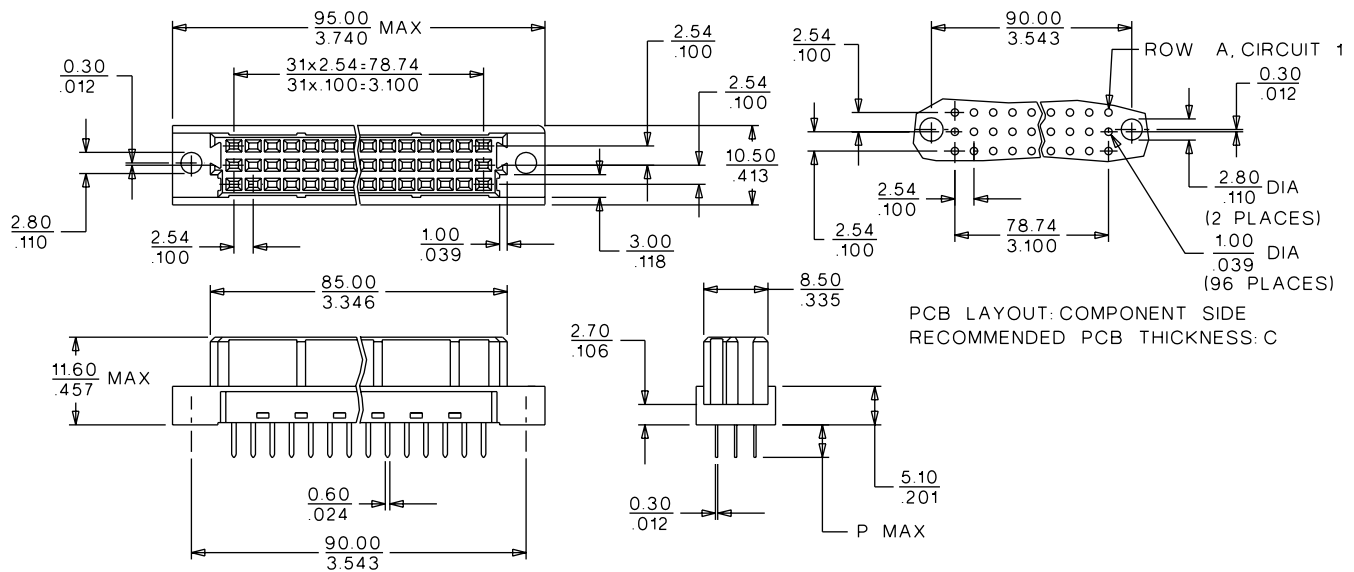
2.54mm (.100") Pitch DIN 41612/IEC 603-2 Connector

85042

Female Style C



CATALOG DRAWING (FOR REFERENCE ONLY)



ORDERING INFORMATION AND DIMENSIONS

Circuits	Order No.		Contact Loading	Rows	Solder Tail Dimension P	Option(s)
	Performance Level* 1	Performance Level* 2				
32	85042-3316	85042-0397	Even only	a, c	2.9 (.114)	Board locks, flux proof
					4.5 (.177)	
64	85042-1299	85042-0268	Full	a, c	2.9 (.114)	Board locks
	85042-3639	85042-2529				Flux-proof
		85042-2359				Coding
		85042-3524			4.5 (.177)	Coding
	85042-1249	85042-0177				Flux-proof
		85042-0189				Board locks
		85042-0191				
	85042-4696					

Circuits	Order No.		Contact Loading	Rows	Solder Tail Dimension P	Option(s)	
	Performance Level* 1	Performance Level* 2					
96	85042-1304	85042-0385	Full	a, b, c	2.9 (.114)	Board locks	
		85042-1079				Flux-proof	
		85042-2347				Coding	
	85042-5213	85042-3548				4.5 (.177)	Coding
	85042-1043	85042-0270					Flux-proof
	85042-0505	85042-0282			Board locks		
		85042-0294					
		85042-1213					

For other versions contact Molex

* Performance levels based on test conditions per DIN 41612, part 5:

1: >500 mating cycles. 10 day industrial environment (S02)

2: >400 mating cycles. 4 day industrial environment (S02)

Backplane Connector Systems

