

FEATURES AND SPECIFICATIONS

Features and Benefits

- Double cantilever design
- Single beam terminal is available for low insertion force 7821 Series (contact Molex)
- For low-level current and voltage use Gold plating
- Phosphor Bronze is recommended for rated current
- Complete line of terminal crimping equipment available (see Application Tooling section of this catalog)

Reference Information

Product Specification: PS-08-50
 Packaging: Reel or bag
 Tooling Information: See crimp tooling section
 UL File No.: E29179
 CSA File No.: LR19980
 Use With: 2139, 3069 and 41695
 Designed In: Inches

Electrical

Voltage: 250V AC max.
 Current:

AWG	18	20	22	24	26
Phosphor Bronze (A) max.	7.00	6.25	5.50	5.00	4.50
Brass (A) max.	5.00	4.75	4.50	4.25	4.00

Contact Resistance: 6mΩ max.
 Dielectric Withstanding Voltage: 1500V AC
 Insulation Resistance: 50K MΩ min.

Mechanical

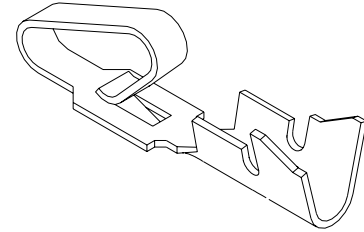
Contact Insertion Force: 1.8kg (4 lb) max.
 Contact Retention to Housing: 3.6kg (8 lb) min.
 Wire Pull-Out Force: 20 lb max./18 AWG
 Normal Force: 0.75kg (1.65 lb)
 Durability: 25 cycles max.

Physical

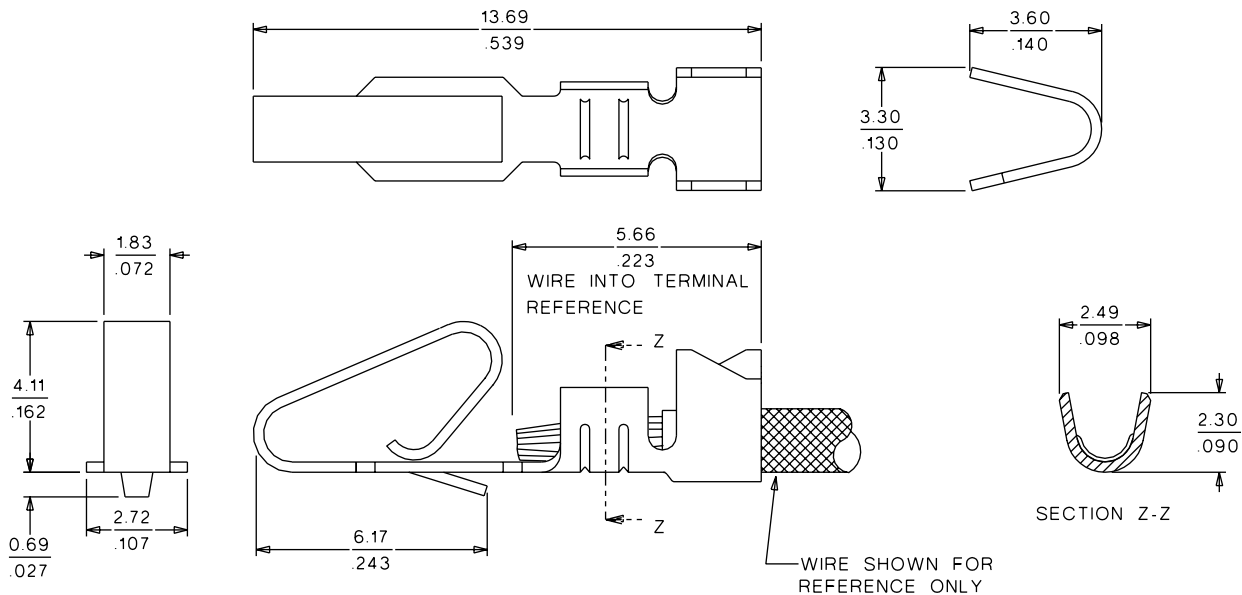
Contact: Brass or Phosphor Bronze
 Plating: See Table
 Operating Temperature: Phosphor Bronze—0 to +75°C
 Brass—0 to +50°C

molex® 3.96mm (.156") Pitch KK® Crimp Terminal

2478/2578



CATALOG DRAWING (FOR REFERENCE ONLY)



Note: 2478 shown

ORDERING INFORMATION AND DIMENSIONS

Wire Size AWG	Insulation OD	Series	Material	Order No.					
				Tin Plating		Gold Plating No. 1		Gold Plating No. 2	
				Bag	Reel	Bag	Reel	Bag	Reel
18-20	2.79 (.110) max.	2478	Phosphor Bronze	• 08-52-0072	• 08-52-0071	• 08-58-0122	• 08-58-0121	• 08-65-0115	• 08-65-0114
18-20	2.79 (.110) max.	2478	Brass	08-50-0106	08-50-0105	08-56-0106	08-56-0105	08-55-0104	08-55-0103
22-26	1.65 (.065) max.	2578	Phosphor Bronze	• 08-50-0134	• 08-50-0133	• 08-58-0126	• 08-58-0125	• 08-65-0117	• 08-65-0116
22-26	1.65 (.065) max.	2578	Brass	08-50-0108	08-50-0107	08-56-0108	08-56-0107	08-55-0106	08-55-0105

• US Standard Product, available through Molex franchised distributors
 Recommended wire range assumes stranded wire
 Plating No. 1: 20µ" min. Gold in contact area with a flash overall
 Plating No. 2: 15µ" min. Gold in contact area only

3.00 to 7.92mm (.118 to .312") Pitch

D