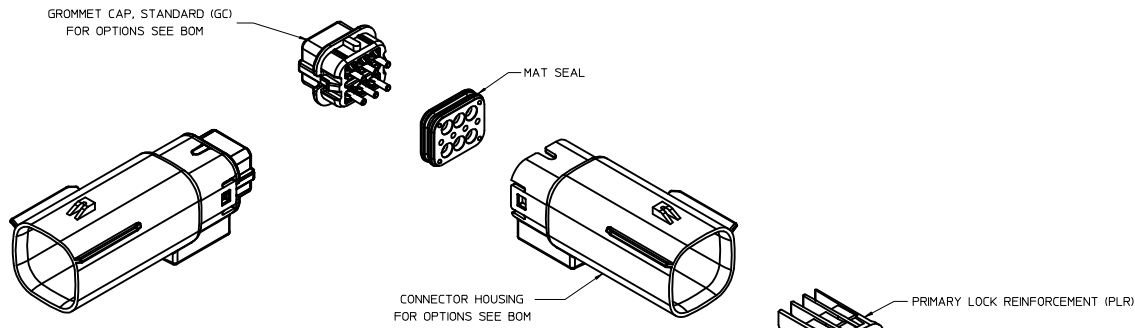
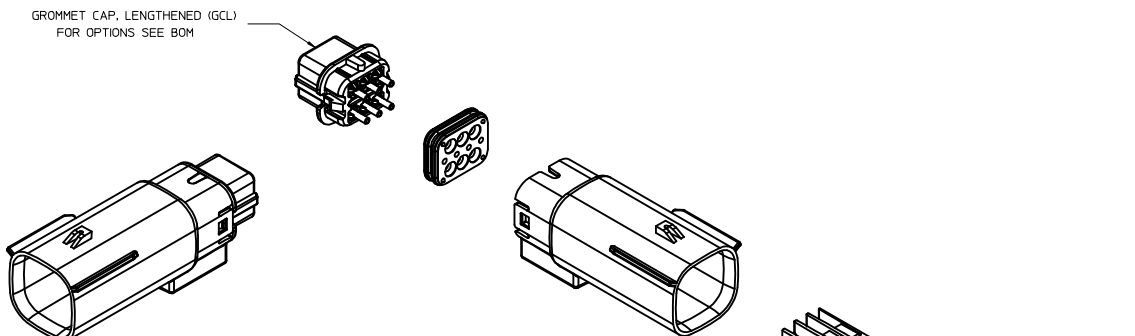


TABLE OF CONTENTS	
SHEET NO.	SHEET DESCRIPTION
1	NOTES
2	KEY CONFIGURATIONS
3	BLADE SEALED ASSEMBLY
4	SYSTEM PACKAGING
5	BACKSHELL NOTES
6	BACKSHELL
7	BACKSHELL CONFIGURATIONS
8	BOM



MX150 2X3 BLADE SEALED ASSEMBLY - STANDARD (STD)



MX150 2X3 BLADE SEALED ASSEMBLY - LENGTHENED
UNLESS COMPONENT NOTED, SEE STANDARD ASSEMBLY

NOTES: VALID UNLESS OTHERWISE SPECIFIED

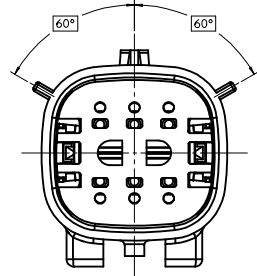
1. GENERAL:
 - a. APPLICATION SPECIFICATION SEE: AS-33472-100
CONTAINS: PRODUCT INTRODUCTION, PRODUCT SUMMARY, CONNECTOR ASSEMBLY, PACKAGING INFORMATION, CONNECTOR MATING, SERVICE INSTRUCTIONS, ELECTRICAL CONTINUITY CHECKING, CRIMPING, AND TROUBLESHOOTING.
-DESIGNED TO MATE WITH RECEPTACLE SEALED ASSEMBLY SPECIFIED IN MOLEX CHARTED DRAWING SD-33472-061 AND SD-33472-071.
-FOR 15mm BLADE TERMINALS TO BE USED WITH THIS ASSEMBLY SEE MOLEX DRAWING SD-33000-001
- SYSTEM TO BE USED WITH WIRE WITHIN DIAMETER RANGE OF 1.2mm TO 2.69mm.
-ASSEMBLY SHIPPED WITH PLR IN PRE-LOCK POSITION
-IN THE EVENT THAT THE PLR IS FOUND IN THE SEATED (FINAL LOCK) POSITION, REFER TO MOLEX SPECIFICATION PS-34646-001, AVAILABLE AT www.molex.com <<http://www.molex.com>>
-ASSEMBLY CONFORMS TO SAE/USCAR-2 REV.4 WITH THE FOLLOWING EXCEPTIONS: TERMINAL INSERTION FORCE FOR WIRE DIAMETER ABOVE 2.5mm NOT EXCEEDING 2.69mm SHALL NOT EXCEED 45 NEWTONS.
 - b. PRODUCT SPECIFICATION SEE: PS-33472-000
CONTAINS: PRODUCT INTRODUCTION, PRODUCT SUMMARY, RATINGS (CURRENT, TEMPERATURE, SEALING, AND FLAMMABILITY), AND PRODUCT VALIDATION.
 - c. PACKAGING SPECIFICATION PER MOLEX DRAWING: PK-31300-435
 - d. PARTS MUST BE IN COMPLIANCE TO MOLEX CHEMICAL SUBSTANCES FOR PRODUCTS AND PACKAGING SPECIFICATION: ES-40000-5016
 - e. DATA MUST BE SUBMITTED UNDER THE MOLEX PART NUMBER TO IMDS (COMPANY ID#13255)
2. DESIGN - MATERIALS:
 - a. SEE BOM TABLE
3. DESIGN - GEOMETRY:
 - a. THIS IS A 100% CAD GENERATED PART. THE CAD MATHEMATICAL DATA IS THE MASTER FOR THIS PART. FOR DIMENSIONAL OR ANY INFORMATION NOT SHOWN ON THIS DRAWING, ANALYZE THE CAD MODEL.
 - b. GEOMETRIC DIMENSIONS AND TOLERANCES PER ASME Y14.5M - 1994
 - c. EDGES AND UNDIMENSIONED DETAILS PER ISO13715
 - d. CORNERS SHOWN AS SHARP TO BE R 0.2 MAX.
 - e. LETTERING SHALL BE 0.15 MAX RAISED IN 0.25 MAX RECESS PAD. THIS INCLUDES RECYCLING CODE, CAVITY ID, VENDOR IDENTIFICATION, AND CUSTOMER MATERIAL NUMBER.
 - f. VISUAL DEFECTS SHALL MEET COSMETIC STANDARD PS-45499-002 (Class B).
 - g. LASER MARKING: TBD

INSPECTION NUMBER LOG
LAST NUMBER USED: 5
ADDED:
REMOVED: 2

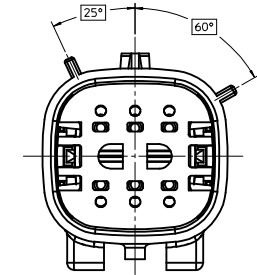
AA2	UPDATED BACKSHELL INFORMATION
AA1	UPDATED BACKSHELL INFORMATION
AA	UPDATED GROMMET CAP
Z7	RENAMED BACKSHELLS
Z6	ADDED PASS THRU CHARTED DIMENSIONS
Z5	UPDATED USCAR EXCEPTIONS
Z4	UPDATED DRW/ADDED BACKSHELL
REV	DESCRIPTION

REVISED IEC NO. UAU2013-1966 DRAWN/CUNNINGHAM 2013/06/11 CHKD: APPR:VKOSHY 2013/06/20 REVISIONS: 28	QUALITY SYMBOLS	GENERAL TOLERANCES (UNLESS SPECIFIED)	DIMENSION STYLE	SCALE	DESIGN UNITS	THIRD ANGLE PROJECTION	TITLE	DOCUMENT NO.	SHEET NO.	
	$\nabla=0$ $\nabla=0$ $\nabla=0$	mm INCH 4 PLACES ± --- ± --- 3 PLACES ± --- ± --- 2 PLACES ± 0.10 ± --- 1 PLACE ± 0.3 ± --- 0 PLACE ± ±	MM ONLY	2:1	METRIC		DRAWN BY DATE MDICK 2011/07/22 CHECKED BY DATE MDICK 2011/12/19 APPROVED BY DATE	MX150 2X3 BLADE SEALED ASSEMBLY MAT SEAL molex	SD-33482-061	1 OF 8
	ANGULAR ± 3 ° DRAFT WHERE APPLICABLE MUST REMAIN WITHIN DIMENSIONS	MATERIAL NO. SEE BOM	THIS DRAWING CONTAINS INFORMATION THAT IS PROPRIETARY TO MOLEX INCORPORATED AND SHOULD NOT BE USED WITHOUT WRITTEN PERMISSION							
	SIZE									

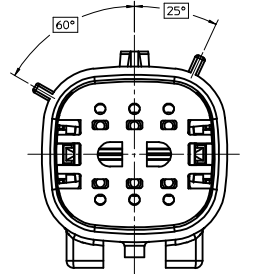
KEY CONFIGURATIONS



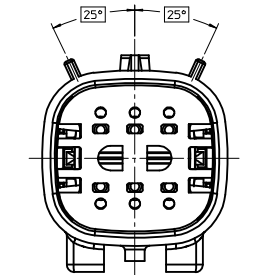
KEY A



KEY B



KEY C



KEY D

REVISED DEC NO. 04/2013-1966 DRAWN/CUNNINGHAM 2013/06/11 CHKD: APPR:VKOSHY 28	QUALITY SYMBOLS	GENERAL TOLERANCES (UNLESS SPECIFIED)	DIMENSION STYLE	SCALE	DESIGN UNITS	THIRD ANGLE PROJECTION
	▽=0	mm INCH	MM ONLY	4:1	METRIC	☉
	▽=0	4 PLACES ± --- ± ---	DRAWN BY	DATE	TITLE	
	▽=0	3 PLACES ± --- ± ---	MDICK	2011/07/22		
	▽=0	2 PLACES ± 0.10 ± ---	CHECKED BY	DATE		
	▽=0	1 PLACE ± 0.3 ± ---	MDICK	2011/12/19		
		0 PLACE ± ±	APPROVED BY	DATE		
		ANGULAR ± 3 °	MATERIAL NO.	DOCUMENT NO.		
		DRAFT WHERE APPLICABLE MUST REMAIN WITHIN DIMENSIONS	SEE BOM	SD-33482-061		
			SIZE D	THIS DRAWING CONTAINS INFORMATION THAT IS PROPRIETARY TO MOLEX INCORPORATED AND SHOULD NOT BE USED WITHOUT WRITTEN PERMISSION		

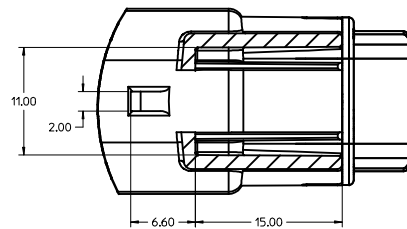
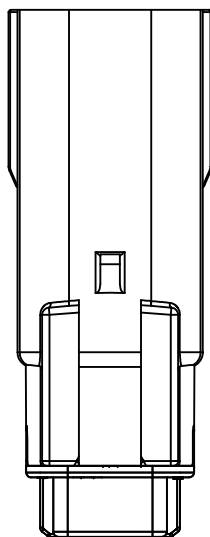
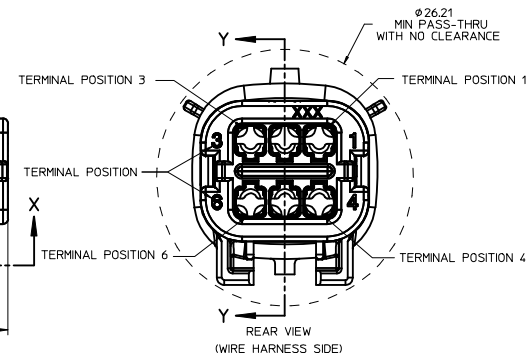
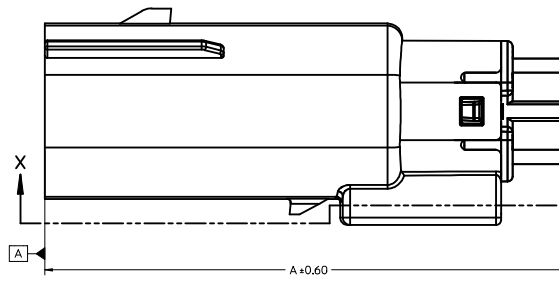
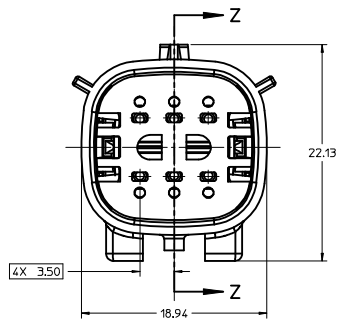
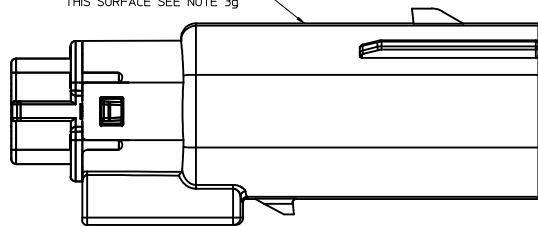
MX150 2X3 BLADE
SEALED ASSEMBLY
MAT SEAL

molex

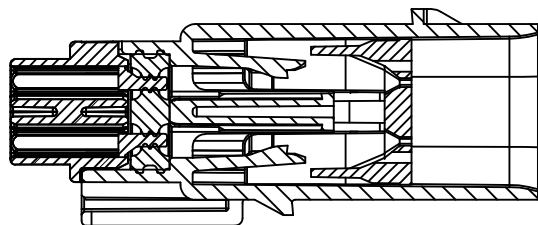
SHEET NO.
2 OF 8

BLADE SEALED ASSEMBLY

OPTIONAL LASER MARKING ON THIS SURFACE SEE NOTE 3g

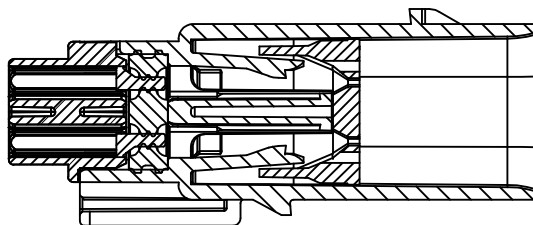


Partial X-X
SCALE 4:1



PRIMARY LOCK REINFORCEMENT (PLR) SHOWN IN PRE-STAGED POSITION

SECTION Z-Z

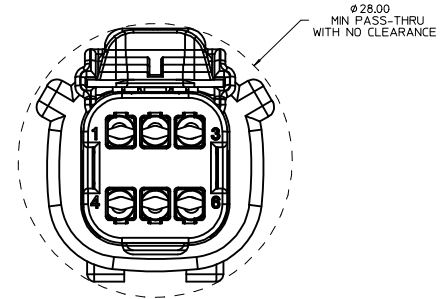
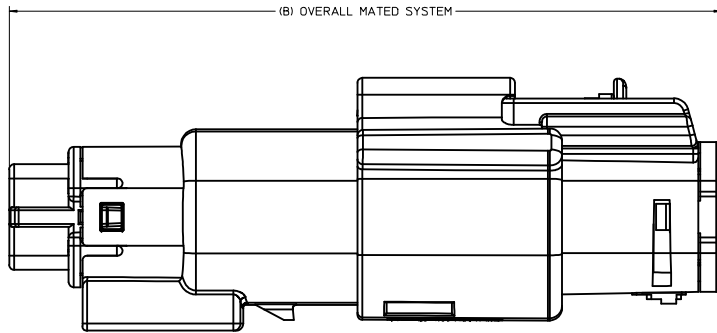


PRIMARY LOCK REINFORCEMENT (PLR) SHOWN IN FINAL-LOCK POSITION

SECTION Y-Y

CHARTED DIMENSIONS	
CONFIGURATION	A
MX150 2X3 BLADE SEALED ASSEMBLY - STANDARD	53.85
MX150 2X3 BLADE SEALED ASSEMBLY - LENGTHENED	55.85

REVISED IEC NO. UAU2013-1966 DRAWN: CUNNINGHAM 2013/06/11 CHKD: APPR: WOSHY 2013/06/20 28	QUALITY SYMBOLS	GENERAL TOLERANCES (UNLESS SPECIFIED)	DIMENSION STYLE	SCALE	DESIGN UNITS	THIRD ANGLE PROJECTION	
	∇=0 ∇=0 ∇=0	mm INCH 4 PLACES ± --- ± --- 3 PLACES ± --- ± --- 2 PLACES ± 0.10 ± --- 1 PLACE ± 0.3 ± --- 0 PLACE ± ±	MM ONLY	4:1	METRIC	DRAWN BY DATE MDICK 2011/07/22 CHECKED BY DATE MDICK 2011/12/19 APPROVED BY DATE	MX150 2X3 BLADE SEALED ASSEMBLY MAT SEAL molex
	ANGULAR ± 3 ° DRAFT WHERE APPLICABLE MUST REMAIN WITHIN DIMENSIONS	MATERIAL NO.	SEE BOM	DOCUMENT NO.	SD-33482-061	SHEET NO.	3 OF 8
	SIZE D THIS DRAWING CONTAINS INFORMATION THAT IS PROPRIETARY TO MOLEX INCORPORATED AND SHOULD NOT BE USED WITHOUT WRITTEN PERMISSION						



CHARTED DIMENSIONS	
CONFIGURATION	B
MX150 2X3 BLADE SEALED ASSEMBLY - STANDARD	72.78
MX150 2X3 BLADE SEALED ASSEMBLY - LENGTHENED	74.79

CHARTED DIMENSIONS	
CONFIGURATION	C
MX150 2X3 RECEPTACLE SEALED ASSEMBLY WITHOUT CLIPSLLOT	30.50
MX150 2X3 RECEPTACLE SEALED ASSEMBLY WITH CLIPSLLOT	28.00

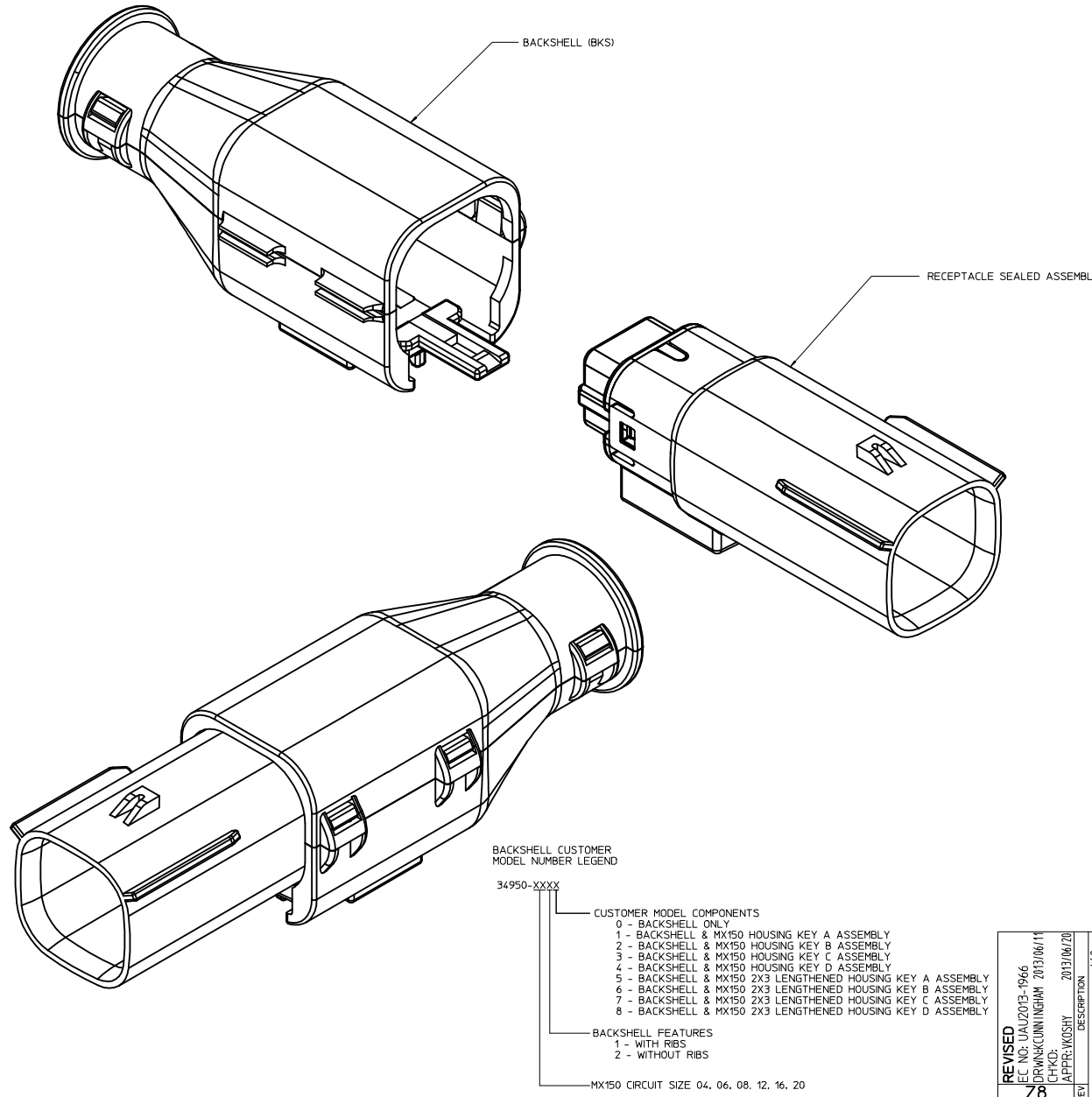
REVISED IEC NO. UAU2013-1966 DRAWN: CUNNINGHAM 2013/06/11 CHKD: APPR: WOSHY 28 REV DESCRIPTION 2013/06/20	QUALITY SYMBOLS ▽=0 ▽=0 ▽=0	GENERAL TOLERANCES (UNLESS SPECIFIED) mm INCH 4 PLACES ± --- ± --- 3 PLACES ± --- ± --- 2 PLACES ± 0.10 ± --- 1 PLACE ± 0.3 ± --- 0 PLACE ± ± ANGULAR ± 3 ° DRAFT WHERE APPLICABLE MUST REMAIN WITHIN DIMENSIONS	DIMENSION STYLE MM ONLY DRAWN BY DATE MD LCK 2011/07/22 CHECKED BY DATE MD LCK 2011/12/19 APPROVED BY DATE	SCALE 4:1 DESIGN UNITS METRIC THIRD ANGLE PROJECTION	TITLE MX150 2X3 BLADE SEALED ASSEMBLY MAT SEAL molex	MATERIAL NO. SEE BOM	DOCUMENT NO. SD-33482-061	SHEET NO. 4 OF 8
	THIS DRAWING CONTAINS INFORMATION THAT IS PROPRIETARY TO MOLEX INCORPORATED AND SHOULD NOT BE USED WITHOUT WRITTEN PERMISSION							
	SIZE D							
	THIS DRAWING CONTAINS INFORMATION THAT IS PROPRIETARY TO MOLEX INCORPORATED AND SHOULD NOT BE USED WITHOUT WRITTEN PERMISSION							

BACKSHELL NOTES

BACKSHELL NOTES: VALID UNLESS OTHERWISE SPECIFIED

1. GENERAL:

- a. APPLICATION SPECIFICATION SEE: AS-34951-001
 - DESIGNED TO MATE WITH BLADE SEALED ASSEMBLY SPECIFIED IN MOLEX DRAWING SD-33482-061.
 - SYSTEM TO BE USED WITH WIRE WITHIN DIAMETER RANGE OF 1.2mm TO 2.69mm.
 - COMPONENTS ARE OPTIONAL AND MUST BE PURCHASED SEPARATELY
 - BACKSHELL DESIGN IS OWNED BY SCHLEMMER
 - FOR ADDITIONAL INFORMATION SEE THE BACKSHELL COMPONENT DRAWING SD-34950-0001.



BACKSHELL CUSTOMER MODEL NUMBER LEGEND

34950-XXXX

CUSTOMER MODEL COMPONENTS

- 0 - BACKSHELL ONLY
- 1 - BACKSHELL & MX150 HOUSING KEY A ASSEMBLY
- 2 - BACKSHELL & MX150 HOUSING KEY B ASSEMBLY
- 3 - BACKSHELL & MX150 HOUSING KEY C ASSEMBLY
- 4 - BACKSHELL & MX150 HOUSING KEY D ASSEMBLY
- 5 - BACKSHELL & MX150 2X3 LENGTHENED HOUSING KEY A ASSEMBLY
- 6 - BACKSHELL & MX150 2X3 LENGTHENED HOUSING KEY B ASSEMBLY
- 7 - BACKSHELL & MX150 2X3 LENGTHENED HOUSING KEY C ASSEMBLY
- 8 - BACKSHELL & MX150 2X3 LENGTHENED HOUSING KEY D ASSEMBLY

BACKSHELL FEATURES

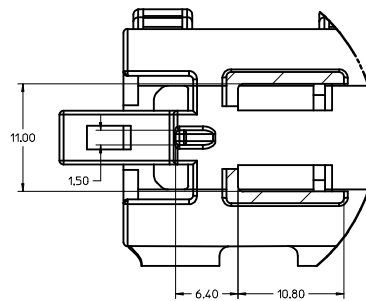
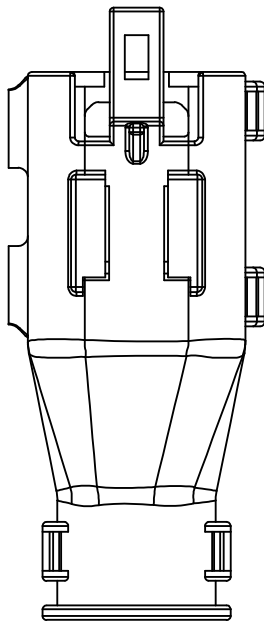
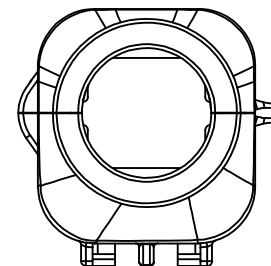
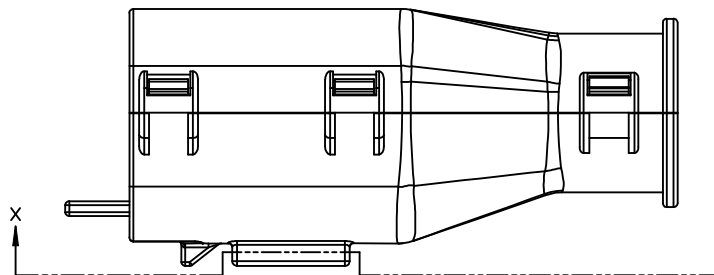
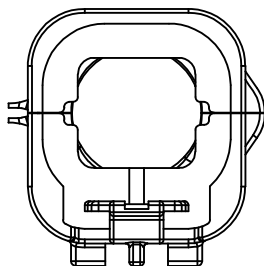
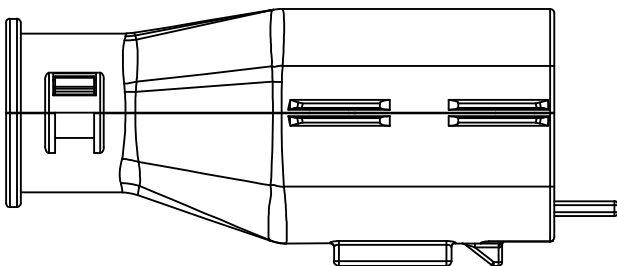
- 1 - WITH RIBS
- 2 - WITHOUT RIBS

MX150 CIRCUIT SIZE 04, 06, 08, 12, 16, 20

REVISED DEC NO. UAU2013-1966 DRAWN/CUNNINGHAM 2013/06/11 CHKD: 28 APP:VKOSHY 2013/06/20	QUALITY SYMBOLS	GENERAL TOLERANCES (UNLESS SPECIFIED)	DIMENSION STYLE MM ONLY	SCALE 4:1	DESIGN UNITS METRIC	THIRD ANGLE PROJECTION
	▽=0 ▽=0 ▽=0	4 PLACES ± mm 3 PLACES ± INCH 2 PLACES ± 0.10 1 PLACE ± 0.3 0 PLACE ±	DRAWN BY DATE 2011/07/22 CHECKED BY DATE 2011/12/19 APPROVED BY DATE	TITLE MX150 2X3 BLADE SEALED ASSEMBLY MAT SEAL		
	ANGULAR ± 3 ° DRAFT WHERE APPLICABLE MUST REMAIN WITHIN DIMENSIONS	MATERIAL NO. SEE BOM	DOCUMENT NO. SD-33482-061		SHEET NO. 5 OF 8	
SIZE D THIS DRAWING CONTAINS INFORMATION THAT IS PROPRIETARY TO MOLEX INCORPORATED AND SHOULD NOT BE USED WITHOUT WRITTEN PERMISSION						

20 19 18 17 16 15 14 13 12 11 10 9 8 7 6 5 4 3 2 1

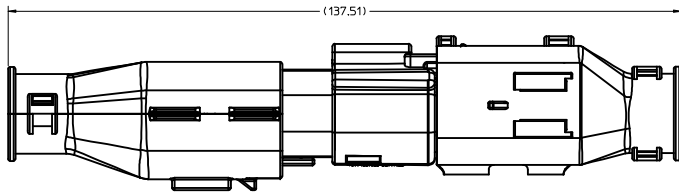
BACKSHELL
THE VIEWS ON THIS SHEET ARE
IN THE CLOSED UN-ASSEMBLED POSITION



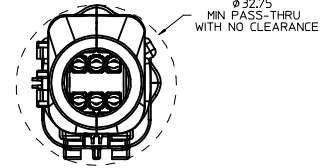
Partial X-X
SCALE 4:1

REVISED IEC NO. UAU2013-1966 DRAWN/CUNNINGHAM 2013/06/11 CHKD: APPR:VKOSHY 2013/06/20 REV DESCRIPTION Z8	QUALITY SYMBOLS	GENERAL TOLERANCES (UNLESS SPECIFIED)	DIMENSION STYLE	SCALE	DESIGN UNITS	THIRD ANGLE PROJECTION
	∇=0 ∇=0 ∇=0	mm INCH 4 PLACES ± --- ± --- 3 PLACES ± --- ± --- 2 PLACES ± 0.10 ± --- 1 PLACE ± 0.3 ± --- 0 PLACE ± ±	MM ONLY	4:1	METRIC	DRAWN BY DATE MD LCK 2011/07/22 CHECKED BY DATE MD LCK 2011/12/19 APPROVED BY DATE
	ANGULAR ± 3 ° DRAFT WHERE APPLICABLE MUST REMAIN WITHIN DIMENSIONS	MATERIAL NO.	DOCUMENT NO.	TITLE MX150 2X3 BLADE SEALED ASSEMBLY MAT SEAL molex		SHEET NO.
	SEE BOM SIZE D	SEE BOM	SD-33482-061	THIS DRAWING CONTAINS INFORMATION THAT IS PROPRIETARY TO MOLEX INCORPORATED AND SHOULD NOT BE USED WITHOUT WRITTEN PERMISSION		6 OF 8

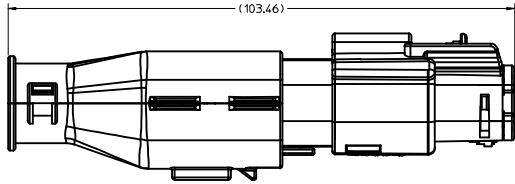
19 18 17 16 15 14 13 12 11 10 9 8 7 6 5 4 3 2 1



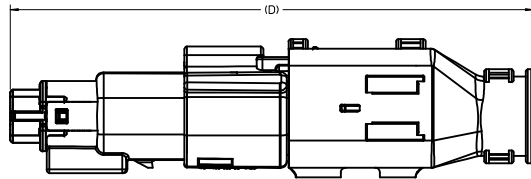
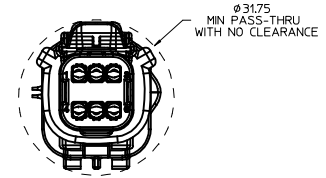
OVERALL MATED SYSTEM WITH BLADE AND RECEPTACLE BACKSHELL



BACKSHELL CONFIGURATIONS

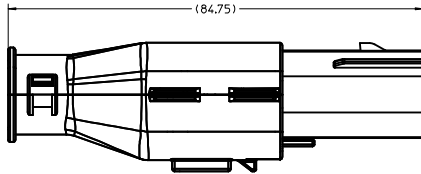
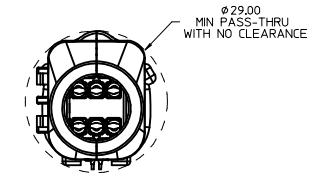


OVERALL MATED SYSTEM WITH BLADE BACKSHELL

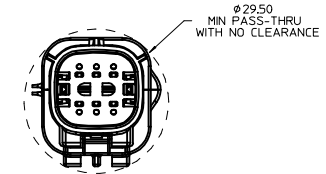


OVERALL MATED SYSTEM WITH RECEPTACLE BACKSHELL

CHARTED DIMENSIONS	
CONFIGURATION	D
MX150 2X3 BLADE SEALED ASSEMBLY - STANDARD	106.83
MX150 2X3 BLADE SEALED ASSEMBLY - LENGTHENED	108.71



BLADE SEALED ASSEMBLY WITH BLADE BACKSHELL



REVISED IEC NO. UAU2013-1966 DRAWN: CUMMINGHAM 2013/06/11 CHKD: APPR: WOSHY 2013/06/20 REVISIONS: 28	QUALITY SYMBOLS $\nabla=0$ $\nabla=0$ $\nabla=0$	GENERAL TOLERANCES (UNLESS SPECIFIED) <table border="1"> <thead> <tr> <th></th> <th>mm</th> <th>INCH</th> </tr> </thead> <tbody> <tr> <td>4 PLACES</td> <td>\pm---</td> <td>\pm---</td> </tr> <tr> <td>3 PLACES</td> <td>\pm---</td> <td>\pm---</td> </tr> <tr> <td>2 PLACES</td> <td>\pm0.10</td> <td>\pm---</td> </tr> <tr> <td>1 PLACE</td> <td>\pm0.3</td> <td>\pm---</td> </tr> <tr> <td>0 PLACE</td> <td>\pm</td> <td>\pm</td> </tr> </tbody> </table>		mm	INCH	4 PLACES	\pm ---	\pm ---	3 PLACES	\pm ---	\pm ---	2 PLACES	\pm 0.10	\pm ---	1 PLACE	\pm 0.3	\pm ---	0 PLACE	\pm	\pm	DIMENSION STYLE MM ONLY	SCALE 2:1	DESIGN UNITS METRIC	THIRD ANGLE PROJECTION
		mm	INCH																					
	4 PLACES	\pm ---	\pm ---																					
	3 PLACES	\pm ---	\pm ---																					
2 PLACES	\pm 0.10	\pm ---																						
1 PLACE	\pm 0.3	\pm ---																						
0 PLACE	\pm	\pm																						
			DRAWN BY MD LCK 2011/07/22	DATE 2011/07/22	TITLE MX150 2X3 BLADE SEALED ASSEMBLY MAT SEAL																			
			CHECKED BY MD LCK 2011/12/19	DATE 2011/12/19	molex																			
			APPROVED BY	DATE	MATERIAL NO. SEE BOM	DOCUMENT NO. SD-33482-061																		

SIZE D THIS DRAWING CONTAINS INFORMATION THAT IS PROPRIETARY TO MOLEX INCORPORATED AND SHOULD NOT BE USED WITHOUT WRITTEN PERMISSION

ASSEMBLY DESCRIPTION	ASSEMBLY PART NUMBER	A	B	C	D	D	GC	GCL	1	2	3	4	5	6	STATUS	COMMENTS	BACKSHELL WITH RIBS	BACKSHELL WITHOUT RIBS		
KEY A, BLACK	33482-0640	A					GC					4			SALEABLE		34950-0610	34950-0620		
KEY A W/ LENGTHENED CAP, BLACK	33482-0639	A					GC	GCL	1	2	3	4	5	6	SALEABLE		34950-0610	34950-0620		
KEY C, DARK GRAY	33482-0638	A				C	GC					3			SALEABLE		34950-0610	34950-0620		
KEY A, BLACK	33482-0637	A					GC				2			6	SALEABLE		34950-0610	34950-0620		
KEY A W/ LENGTHENED CAP, BLACK	33482-0636	A					GC					3			SALEABLE		34950-0610	34950-0620		
KEY C W/ LENGTHENED CAP, DARK GRAY	33482-0635	A				C	GC					3			SALEABLE		34950-0610	34950-0620		
KEY D W/ LENGTHENED CAP, STONE GRAY	33482-0634	A					D	GC							TOOLED BUT NOT VALIDATED		34950-0610	34950-0620		
KEY C W/ LENGTHENED CAP, DARK GRAY	33482-0633	A				C	GC								SALEABLE		34950-0610	34950-0620		
KEY B W/ LENGTHENED CAP, LIGHT GRAY	33482-0632	B					GC								TOOLED BUT NOT VALIDATED		34950-0610	34950-0620		
KEY A W/ LENGTHENED CAP, BLACK	33482-0631	A					GC								SALEABLE		34950-0610	34950-0620		
KEY A, BLACK	33482-0630	A					GC					3		6	SALEABLE		34950-0610	34950-0620		
KEY D, STONE GRAY	33482-0629	A				D	GC								TOOLED BUT NOT VALIDATED		34950-0610	34950-0620		
KEY C, DARK GRAY	33482-0628	A				C	GC								SALEABLE		34950-0610	34950-0620		
KEY A, BLACK	33482-0627	A					GC					2	3	5	6	SALEABLE		34950-0610	34950-0620	
KEY A, BLACK	33482-0626	A					GC				1	2	3	4	5	6	SALEABLE		34950-0610	34950-0620
KEY B, LIGHT GRAY	33482-0625	B					GC				1			5		TOOLED BUT NOT VALIDATED		34950-0610	34950-0620	
KEY A, BLACK	33482-0624	A					GC							6	SALEABLE		34950-0610	34950-0620		
KEY A, BLACK	33482-0623	A					GC							5	SALEABLE		34950-0610	34950-0620		
KEY A, BLACK	33482-0622	A					GC						4	5	6	SALEABLE		34950-0610	34950-0620	
KEY A, BLACK	33482-0621	A					GC				1			4	5	6	SALEABLE		34950-0610	34950-0620
KEY A, BLACK	33482-0620	A					GC				1	2	3	4	5	6	SALEABLE		34950-0610	34950-0620
KEY A, BLACK	33482-0619	A					GC					2	3	4	5	6	SALEABLE		34950-0610	34950-0620
KEY A, BLACK	33482-0618	A					GC							5	6	SALEABLE		34950-0610	34950-0620	
KEY A, BLACK	33482-0617	A					GC					2			SALEABLE		34950-0610	34950-0620		
KEY A, BLACK	33482-0616	A					GC						3		SAME AS P/N 33482-0606		34950-0610	34950-0620		
VOID KEY	33482-0615																			
KEY D, GREEN	33482-0614					D	GC					3	4		TOOLED BUT NOT VALIDATED		34950-0610	34950-0620		
KEY C, BROWN	33482-0613					C	GC					3	4		TOOLED BUT NOT VALIDATED		34950-0610	34950-0620		
KEY B, LIGHT GRAY	33482-0612	B					GC					3	4		TOOLED BUT NOT VALIDATED		34950-0610	34950-0620		
KEY A, BLACK	33482-0611	A					GC					3	4		SALEABLE		34950-0610	34950-0620		
VOID KEY	33482-0610																			
KEY D, GREEN	33482-0609					D	GC					3			TOOLED BUT NOT VALIDATED		34950-0610	34950-0620		
KEY C, BROWN	33482-0608					C	GC					3			TOOLED BUT NOT VALIDATED		34950-0610	34950-0620		
KEY B, LIGHT GRAY	33482-0607	B					GC					3			TOOLED BUT NOT VALIDATED		34950-0610	34950-0620		
KEY A, BLACK	33482-0606	A					GC					3			SALEABLE		34950-0610	34950-0620		
VOID KEY	33482-0605																			
KEY D, GREEN	33482-0604					D	GC								NOT RECOMMENDED, SEE 33482-0629		34950-0610	34950-0620		
KEY C, BROWN	33482-0603					C	GC								NOT RECOMMENDED, SEE 33482-0628		34950-0610	34950-0620		
KEY B, LIGHT GRAY	33482-0602	B					GC								TOOLED BUT NOT VALIDATED		34950-0610	34950-0620		
KEY A, BLACK	33482-0601	A					GC								SALEABLE		34950-0610	34950-0620		
		A	B	C	D	D	GC	GCL	1	2	3	4	5	6						

STANDARD PLR	NATURAL	SPS/NYLON GF20
MAT SEAL	BURNT ORANGE	INHERENTLY LUBRICATED SILICONE
GROMMET CAP, LENGTHENED	BLACK	SPS/NYLON GF20
GROMMET CAP, STANDARD	BLACK	SPS/NYLON GF20
HOUSING KEYING OPTION D	STONE GRAY	SPS/NYLON GF20
HOUSING KEYING OPTION C	DARK GRAY	SPS/NYLON GF20
HOUSING KEYING OPTION D	GREEN	SPS/NYLON GF20
HOUSING KEYING OPTION C	BROWN	SPS/NYLON GF20
HOUSING KEYING OPTION B	LIGHT GRAY	SPS/NYLON GF20
HOUSING KEYING OPTION A	BLACK	SPS/NYLON GF20
DESCRIPTION	COLOR	MATERIAL

BOM/APPLICABLE COMPONENTS TABLE

ABREVIATION	COMPONENT
A	HOUSING KEY A
B	HOUSING KEY B
C	HOUSING KEY C
D	HOUSING KEY D
GC	GROMMET CAP, STANDARD
GCL	GROMMET CAP, LENGTHENED
M	MAT SEAL
P	PLR, STANDARD
BKS	BACKSHELL

CAVITY WITH A NUMBER INDICATES BLOCKED TERMINAL POSITION
CAVITY WITHOUT A NUMBER INDICATES OPEN TERMINAL POSITION

OPTIONAL ATTACHMENTS
SOLD SEPARATELY

REVISED IEC NO. UAU2013-1966 DRAWN/CUNNINGHAM 2013/06/11 CHKD: APPR:VKOSHY 2013/06/20 REV:	QUALITY SYMBOLS ∇=0 ∇=0 ∇=0	GENERAL TOLERANCES (UNLESS SPECIFIED) mm INCH 4 PLACES ± .010 ± .0005 3 PLACES ± .010 ± .0005 2 PLACES ± 0.10 ± .004 1 PLACE ± 0.3 ± .012 0 PLACE ± ±	DIMENSION STYLE MM ONLY DRAWN BY DATE MDICK 2011/07/22 CHECKED BY DATE MDICK 2011/12/19 APPROVED BY DATE	SCALE DESIGN UNITS METRIC THIRD ANGLE PROJECTION	TITLE MX150 2X3 BLADE SEALED ASSEMBLY MAT SEAL	MATERIAL NO. SEE BOM	DOCUMENT NO. SD-33482-061	SHEET NO. 8 OF 8
	DRAFT WHERE APPLICABLE MUST REMAIN WITHIN DIMENSIONS		THIS DRAWING CONTAINS INFORMATION THAT IS PROPRIETARY TO MOLEX INCORPORATED AND SHOULD NOT BE USED WITHOUT WRITTEN PERMISSION					