

# Customer Information Sheet

DRAWING No.: M20-610XXXX

SHEET 2 OF 2

IF IN DOUBT - ASK

(C)

NOT TO SCALE

THIRD ANGLE PROJECTION

ALL DIMENSIONS IN mm

**NOTES:**

1. ALL TOLERANCES ARE  $\pm 0.20$  UNLESS OTHERWISE STATED.
2. THIS ITEM CAN BE USED WITH OPTIONAL SPACER M20-6142098 (FOR 20-WAY) OR M20-6143298 (FOR 32-WAY).

**SPECIFICATION:**

**MATERIAL:**

MOULDING (05 FINISH) = GLASS FILLED PBT UL94V-0 BLACK  
 MOULDING (45 FINISH) = HIGH TEMP NYLON 6T UL94V-0, BLACK  
 CONTACTS = PHOSPHOR BRONZE

**FINISH:**

CONTACTS = 0.08  $\mu$  GOLD OVER NICKEL

**ELECTRICAL:**

CURRENT RATING = 3A MAX  
 CONTACT RESISTANCE = 30 MILLIOHMS MAX  
 INSULATION RESISTANCE = 5,000 MEGOHMS MIN  
 VOLTAGE PROOF = 1,000V AC FOR 1 MINUTE

**MECHANICAL:**

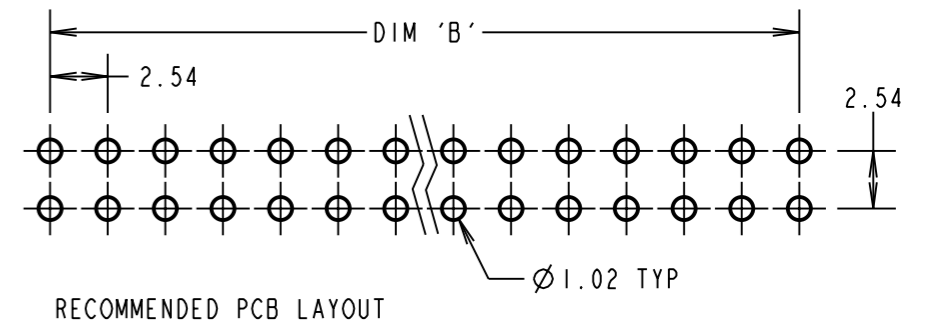
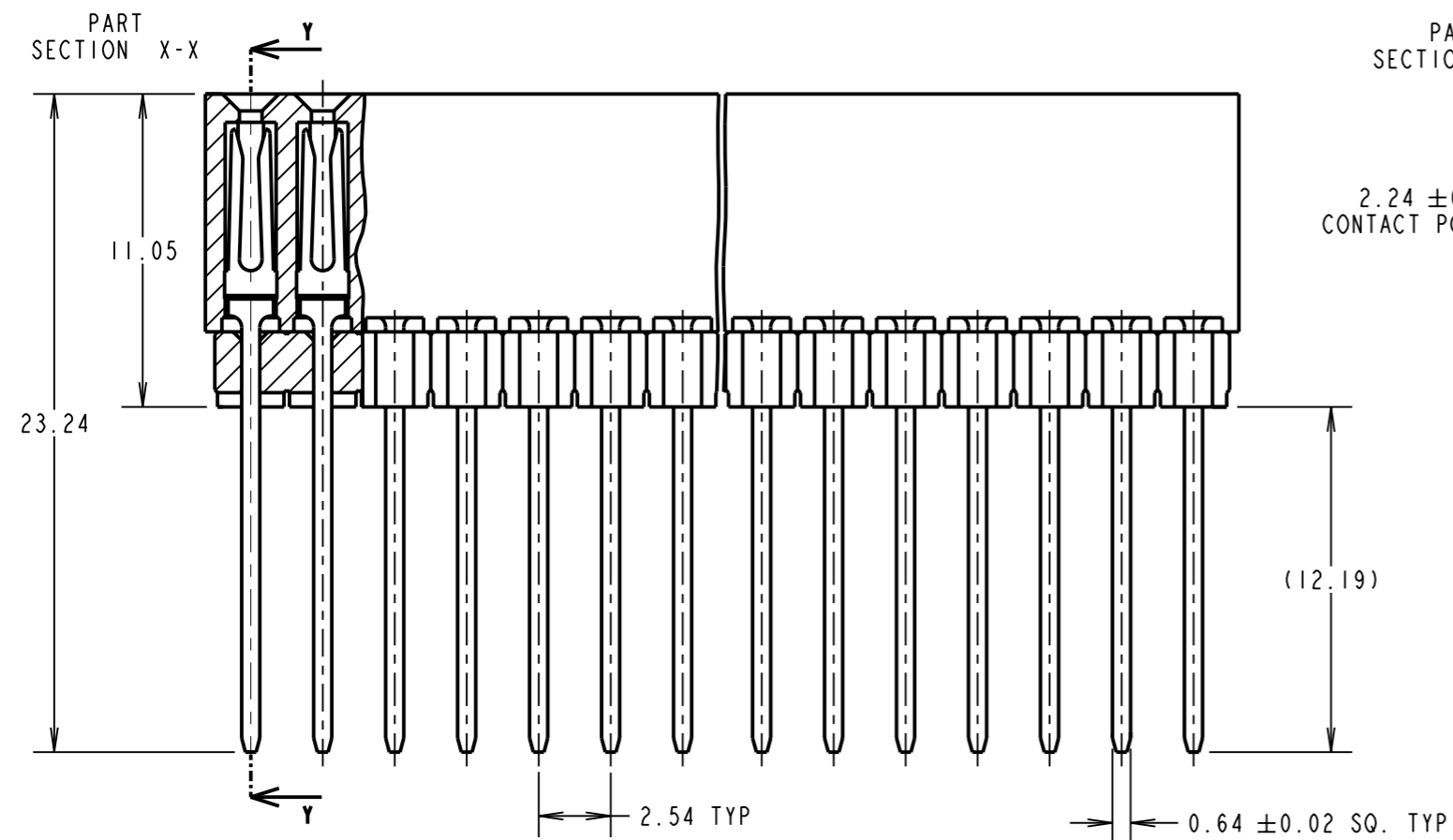
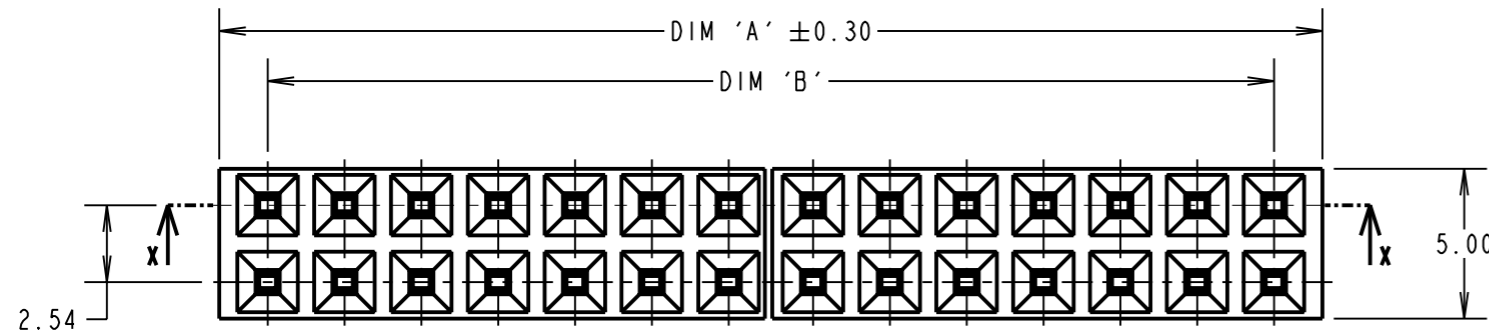
INSERTION FORCE (PER CONTACT) = 2.0N/MAX  
 WITHDRAWAL FORCE (PER CONTACT) = 0.3N MIN

**ENVIRONMENTAL:**

TEMPERATURE RANGE = -55°C TO +105°C

**PACKING:**

TUBE



No. OF WAYS PER ROW	DIM 'A'	DIM 'B'
20	51.46	48.26
32	81.94	78.74

ORDER CODE:  
**M20-610XXXX**

No. OF WAYS PER ROW  
 20, 32

FINISH:  
 05 = GOLD  
 45 = GOLD (RoHS COMPLIANT)

CP	9	03.12.09	10582
NAME	ISS.	DATE	C/NOTE
APPROVED: C.PENROSE			
CHECKED: R.ADDE			
DRAWN: W.J.BOURNE			
CUSTOMER REF.:			
ASSEMBLY DRG:			

**HARWIN**

HARWIN USA TEL: 603 893 5376 FAX: 603 893 5396 mis@harwin.com	HARWIN Europe (UK) TEL: 023 9231 4545 FAX: 023 9231 4590 mis@harwin.co.uk	HARWIN Asia TEL: +65 6 779 4909 FAX: +65 6 779 3868 mis@harwin.com.sg
--	--	--

THIS DRAWING AND ANY INFORMATION OR DESCRIPTIVE MATTER SET OUT HEREON ARE CONFIDENTIAL AND COPYRIGHT PROPERTY OF THE HARWIN GROUP AND MUST NOT BE DISCLOSED, LOANED, COPIED OR USED FOR MANUFACTURING, TENDERING OR FOR ANY OTHER PURPOSE WITHOUT THEIR WRITTEN PERMISSION.

**TOLERANCES**  
 X. =  $\pm 1$ mm  
 X.X =  $\pm 0.25$ mm  
 X.XX =  $\pm 0.10$ mm  
 X.XXX =  $\pm 0.01$ mm  
 ANGLES =  $\pm 5^\circ$   
 UNLESS STATED

**MATERIAL:**  
 SEE ABOVE

**FINISH:**  
 SEE ABOVE

**S/AREA:**  
 mm<sup>2</sup>

**TITLE:**  
 PCI04 CONNECTOR (STACKTHROUGH)

**DRAWING NUMBER:**  
**M20-610XXXX**

SHT  
 2 OF 2