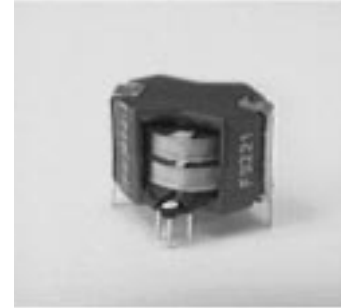


The 4 wire interface between Subscriber Terminals and the Network Termination has been standardized by CCITT recommendation I.430. It uses a passive bus which provides separate receive and transmit loops operating at 192 Kbits/s.

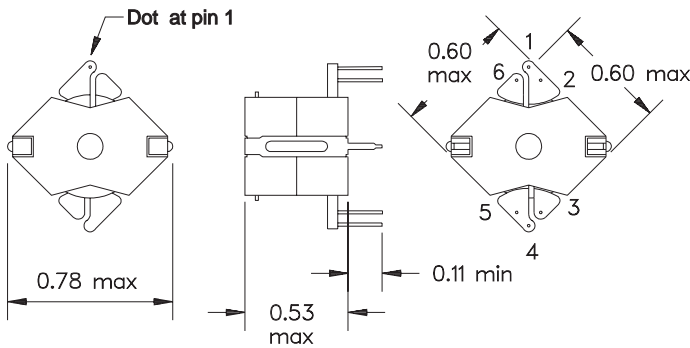
Two versions of TPW3852 have been designed and approved for use with the following devices:

<b>TEW3852</b>	Siemens	PEB2080
		PEB2081
		PEB2085
		PEB2086
<b>TPW3852-4</b>	AMD	Am79C30A
<b>TPW3852-4</b>	Mitel	MT8930A, -B, -C
		MT8931B, -C

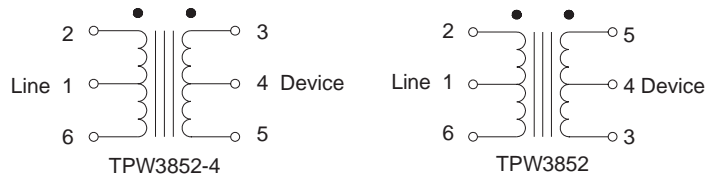
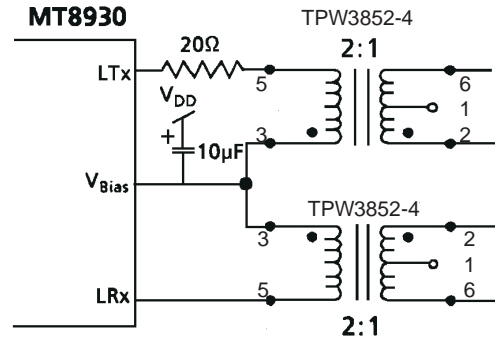
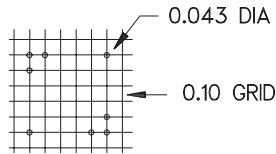
(See schematic below for correct connections.)



MECHANICAL



All dimensions are in inches



ELECTRICAL		TPW3852	TPW3852-4
Device		PEB2080 PEB2085 PEB2086 Am79C30A	MT8930A, -B, -C MT8931B, -C
Turns ratio	(2 - 6) : (5 - 3)	1 : 2	1 : 2
Inductance	(2 - 6)	> 22 mH	> 20 mH
Leakage Ind.	(2 - 6)	< 12 μH	< 6.0 μH
DC Resistance	(2 - 6) (3 - 5)	1.0 Ω 9.0 Ω	3.2 Ω 6.3 Ω
Output Impedance		Conforms to the impedance mask specified in I.430	
Pulse Characteristics		Conforms to the pulse mask specified in I.430	
Dielectric Strength, (rms)		1500 V	1500 V

ISSUE: G 98/04/06 3852.chp