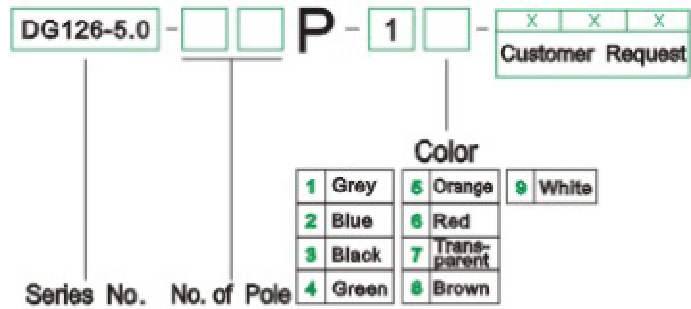


PCB universal screw terminal block



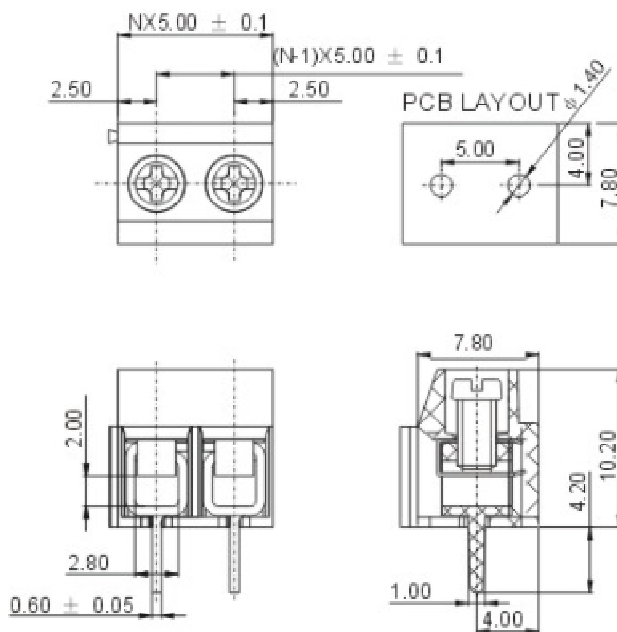
HOW TO ORDER:



[PDF Download](#)

Model: DG126-5.0

Capability	
Rated voltage/Rated current	300V/10A
Wire range	26-14 AWG, 1.5 mm ²
Withstanding voltage	AC2000V/1Min
Insulation resistance	5000MΩ/1000V
Contact resistance	20 mΩ
Temp. Range	-40 °C~+105 °C
MAX Soldering	+250 °C for 5 Sec
Torque	0.4Nm (3.6Lb.in)
Strip length	6-7 mm
Specification	
Housing	PA66, UL94V-0
Screws	M2.5, steel, Zinc plated
Wire guard	Stainless steel
Pin header	Brass, Tin plated



[[↑](#) Returns to this series product]