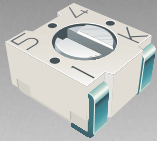


*RoHS COMPLIANT



BOURNS®

Features

- Surface Mount 3 mm Square Single-Turn Cermet / Sealed
- Compatible with surface mount manufacturing processes
- Rotor stop for "in-circuit" adjustment
- 100 cycle rotational and seal life
- Patent #5043695 assembly for seal integrity
- Plastic housing for RF applications
- RoHS compliant* - see [processing information](#) on lead free surface mount trimmers

3313 - 3 mm Trimming Potentiometer

Electrical Characteristics

Standard Resistance Range

.....10 ohms to 2 megohms
(see standard resistance table)
Resistance Tolerance±20 % std.
End Resistance.....1 % or 3 ohms max.
(whichever is greater)

Contact Resistance Variation

.....3 % or 3 ohms

Adjustability

Voltage Divider.....±0.1 %
Rheostat±0.2 %
Resolution.....Infinite
Insulation Resistance500 vdc.
100 megohms min.

Dielectric Strength

Sea Level500 vac
70,000 Feet.....350 vac
Adjustment Angle220° nom.

Environmental Characteristics

Max. Soldering Exposure

.....260 °C/5 seconds

Power Rating (200 volts max.)

70 °C0.125 watt
125 °C0 watt

Operating Temp. Range

.....-55 °C to +125 °C

Temperature Coefficient

.....≤100 ohms ±150 ppm/°C;
>100 ohms ±100 ppm/°C

Seal Test.....85 °C Fluorinert†

HumidityMIL-STD 202, Method 106
(no vibration) TRS ±3 %;
IR 10 megohms

Vibration.....20 G TRS ±1 %; VRS ±1 %

Shock.....100 G TRS ±1 %; VRS ±1 %

Load Life1000 hours

@ 70 °C Rated Power; TRS ±3 %

Rotational Life100 cycles TRS ±3 %

Thermal Shock.....5 cycles
TRS ±2 %; VRS ±1 %

Physical Characteristics

Mechanical Angle250 ° nom.

Torque50 g-cm max.

Stop Strength.....200 g-cm min.

Pushover Strength ("S" only)

.....1.6 Kilograms (3.5 lbs) minimum

FlammabilityU.L. 94V-0

Weight.....Approx. 0.01 oz.

MarkingResistance code

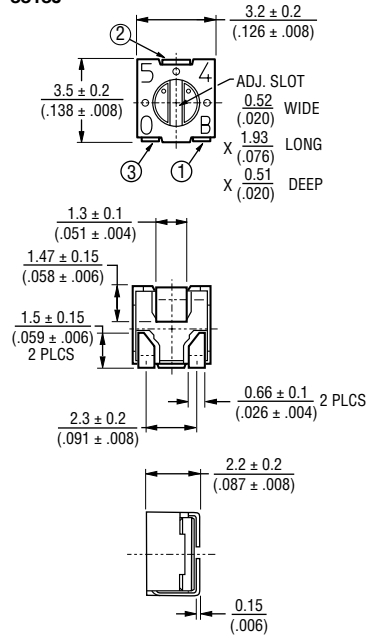
and date code

Wiper.....50 % (Actual TR) ±10 %

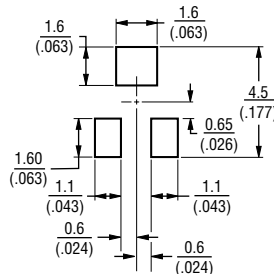
Standard Packaging ...1000 pcs./7 " reel

Adjustment ToolH-91

3313J



RECOMMENDED LAND PATTERN



TOLERANCES: ± 0.25 (.010) EXCEPT WHERE NOTED

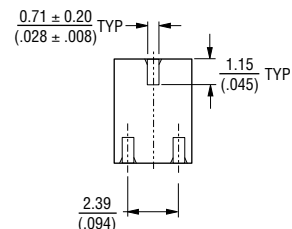
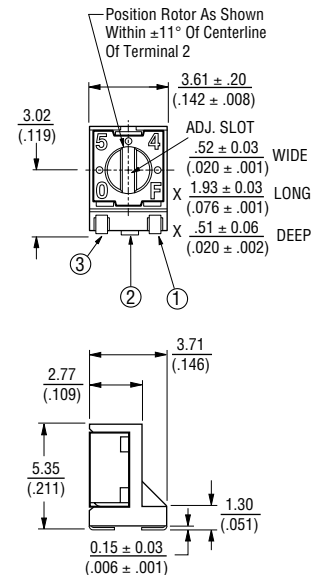
DIMENSIONS ARE: $\frac{\text{MM}}{\text{(INCHES)}}$

How To Order

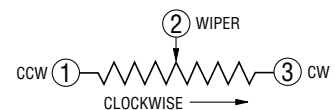
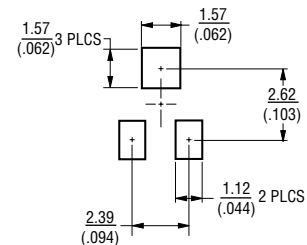
3313 J - 1 - 502 E

Model _____
 Style _____
 Standard or Modified Product Indicator
 -1 = Standard Product
 Resistance Code _____
 Embossed Tape
 1000 pcs. / 7 " Reel (Standard)

3313S



RECOMMENDED LAND PATTERN



*RoHS Directive 2002/95/EC Jan 27 2003 including Annex.
 †"Fluorinert" is a registered trademark of 3M Co.
 Specifications are subject to change without notice.
 Customers should verify actual device performance in their specific applications.

