

Features

- Compact
- Lightweight
- Long life
- Infinite resolution
- Free shaft rotation
- AC or DC
- Shaft options available
- Flexible wire leads
- Economical
- RoHS compliant*

3048 Linear Motion Potentiometer

Specifications†

Standard Electrical Travel
0.2, 0.3, 0.4, 0.5 in.
 (5.08, 7.62, 10.16, 12.70 mm)

Standard Resistances
1K ohms to 50K ohms (± 20 %)

Independent Linearity± 5 %

ResolutionInfinite

Power Rating @ 70 °C (158 °F)
 Range 2, 30.12 watt
 Range 4, 50.25 watt

Operating Temperature Range
-55 °C to +125 °C

Temperature Coefficient1000 PPM/°C

Insulation Resistance.....50 megohms
 @ 500 VDC

BacklashNegligible

Shaft Actuating Force4 oz. max.
 @ 70 °F

Life500,000 cycles

Shock50 G for 7 msec

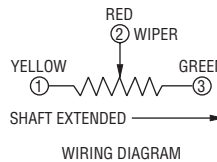
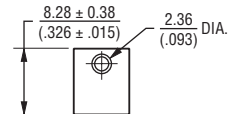
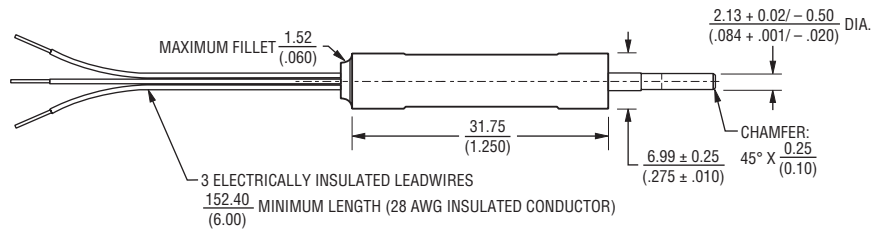
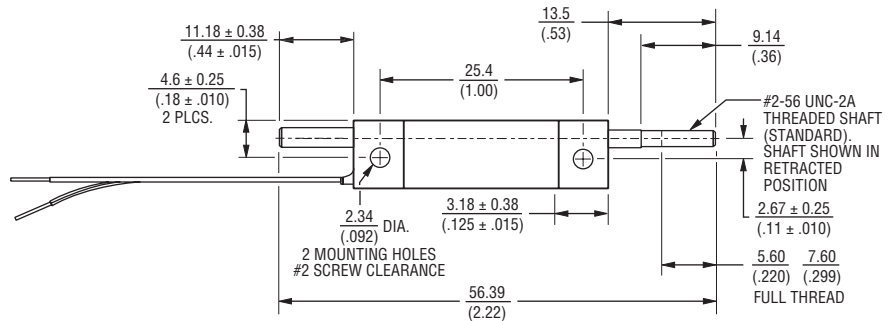
Vibration20 G, 10-2 kHz

MarkingManufacturer's trademark,
 resistance code, wiring diagram,
 date code, manufacturer's model
 number and style

Specifications are typical. Contact factory for special requirements.

† Specifications applicable from 5 % to 95 % of electrical travel.

Product Dimensions



TOLERANCES: ± $\frac{.010}{(0.25)}$ EXCEPT WHERE NOTED

DIMENSIONS ARE: $\frac{MM}{(INCHES)}$

How to Order

Model 3048 L - 2 - 502

Style _____

Range (Travel) _____
 2 = 0.2 " (5.08 mm)
 3 = 0.3 " (7.62 mm)
 4 = 0.4 " (10.16 mm)
 5 = 0.5 " (12.70 mm)

Resistance Value _____

Standard Resistance Table

Resistance (Ohms)	Resistance Code
1,000	102
2,500	252
5,000	502
10,000	103
20,000	203
50,000	503