

Features

- ◆ Module for true current sharing operation
- ◆ Alarm outputs, redundancy OK signal
- ◆ Hot swappable inputs
- ◆ Remote On/Off
- ◆ International safety approval package
- ◆ 3-year product warranty



With this module and two power supplies of the TSP series (of same type) a highly reliable, redundant power system can be configured without any additional components. This module enforces the equivalent sharing of the output current of the power supplies. In the event of a failed or disconnected power supply, the second unit will automatically supply the full current to the load. The redundancy of the system is monitored and, indicated by an alarm output. The inputs are hot swappable.

Models

Order Code	Input	Max Power per Input	Output Voltage adjust.	Output Current max. **	Output Power max.
TSP-REM360*	2 x 24 VDC	2 x 360 W	24 VDC	15.0 A	360 W
TSP-REM600*	2 x Control input	2 x 600 W	(24–27 VDC)	25.0 A	600 W

* For ATEX / IECEx compliant model add appendix -EX to order code.

** Maximum current at nominal V_{out}

Redundancy Module	Possible TSP input source
TSP-REM360	TSP 90-124 TSP 90-124N TSP 180-124 TSP 360-124
TSP-REM600	TSP 600-124

Output Specifications

Output Voltage adjustable range with potentiometer	24 – 27 VDC
Ripple and noise (20 MHz bandwidth)	230 mVp-p typ.
Capacitive load	unlimited

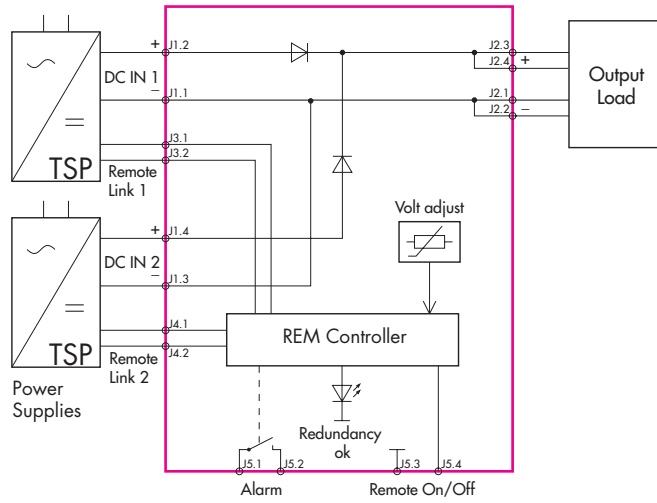
General Specifications

Operating temperature		-25°C to +70°C max. derating above +40°C : 1.5 %/K
Storage temperature		-25°C to +85°C max.
Temperature coefficient		0.02 %/K
Humidity (non condensing)		5 % to 90 % rel. H max.
Reliability, calculated MTBF at +25°C acc. to IEC 61709	- TSP-REM360 - TSP-REM600	>2 Mio h >1.9 Mio h
Remote On/Off		by ext. contact: contact open = On contact closed = Off
Alarm relay contact		30 VDC / 1.0 A
Redundancy OK signal (Alarm)		trigger threshold at 18...22VDC, contact open one or both
Remote link cable (0.5 m)		2 cables included (order code TSPJC) www.tracopower.com/products/tsp-rc-cable.pdf
Degree of protection		IP 20 (IEC/EN 60529)
Isolation		according to IEC/EN 60950-1, UL 60950-1, UL 508
Altitude during operation		lba.
Safety standard		IEC/EN 60950-1, UL 60950-, EN60079, UL60079, UL508
Safety approvals	- UL 508 - CSA (UL60079-15-2 class 1, division 2) - CB test certificate IEC 60950-1 (SIQ for EN) -  II3G Ex nA nC IIC T4 Gc	www.tracopower.com/products/tsp-rem-ul508.pdf www.tracopower.com/products/tsp-rem-csa.pdf www.tracopower.com/products/tsp-rem-cb.pdf www.tracopower.com/products/tsp-rem-atex.pdf
Electromagnetic compatibility		in correspondence to connected units (no internal switching device)
Environment	- Vibration acc. IEC 60068-2-6; - Shock acc. IEC 60068-2-27	3 axis, sine sweep, 10 – 55 Hz, 1 g, 1 oct/min 3 axis, 15 g half sine, 11 ms
Enclosure material		aluminium (chassis) / stainless steel (cover)
Mounting	- DIN-rail mounting - Wall mounting (option)	for DIN-rails as per EN 50022-35x15/7.5 (snap-on with self-locking spring) with wall mounting bracket - see page 4
Connection		detachable screw terminals (plugs included) 2 terminals per output
Installation instructions		www.tracopower.com/products/tsp-rem-inst.pdf

All specifications valid at nominal input voltage, full load and +25°C after warm-up time unless otherwise stated.

Function

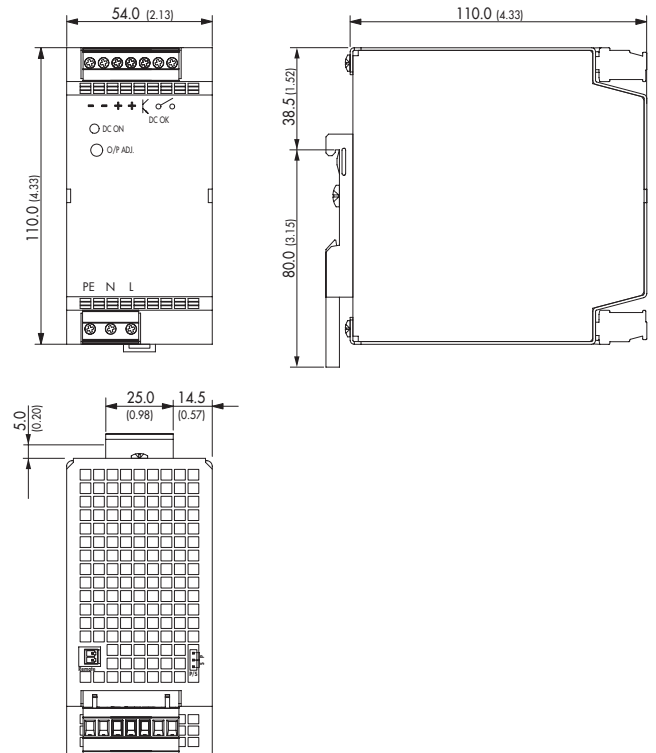
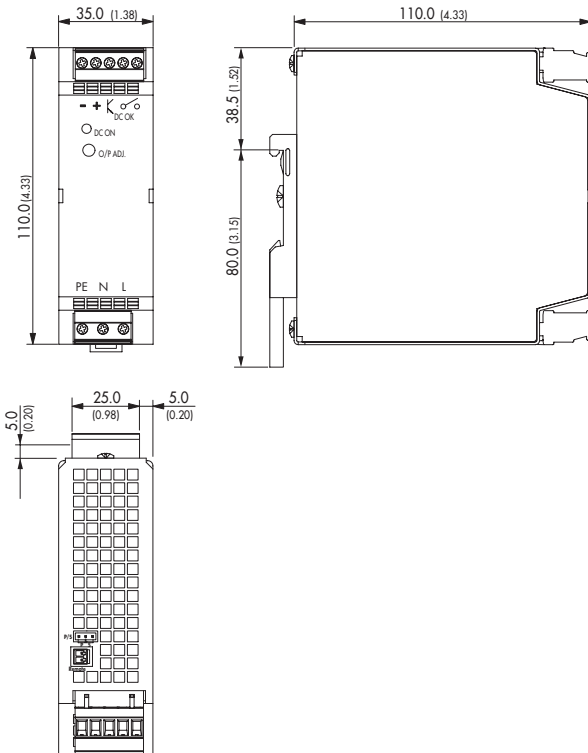
Function Diagram:



Outline Dimensions

TSP-REM360

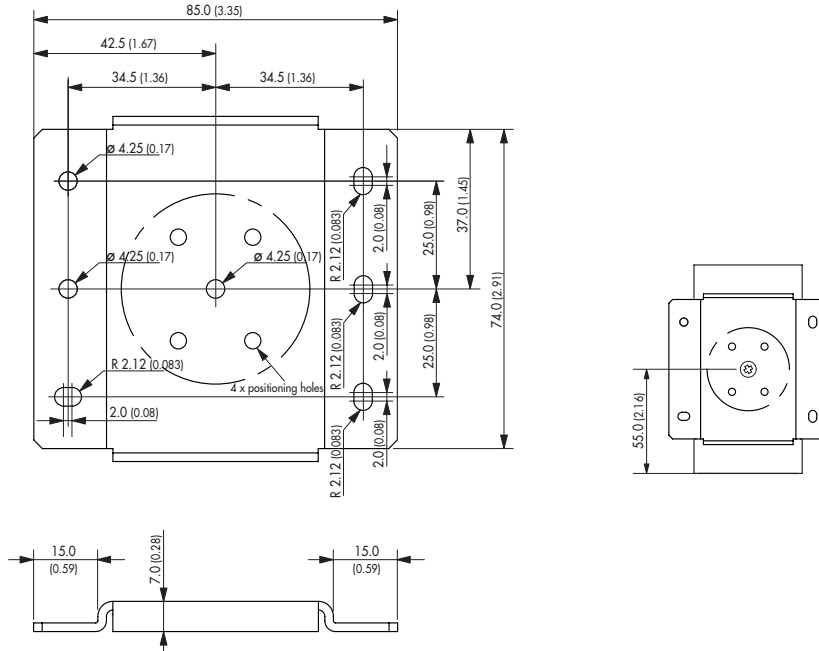
TSP-REM600



TSP-WMK Wall Mounting Bracket

Ordercode of Kit	For Models	Content of Kit
TSP-WMK03	TSP-REM360, TSP-REM600	1 bracket

TSP-WMK03



Material: 2 mm Mild Steel
Tolerance: ±0.1 mm (± 0.004)