

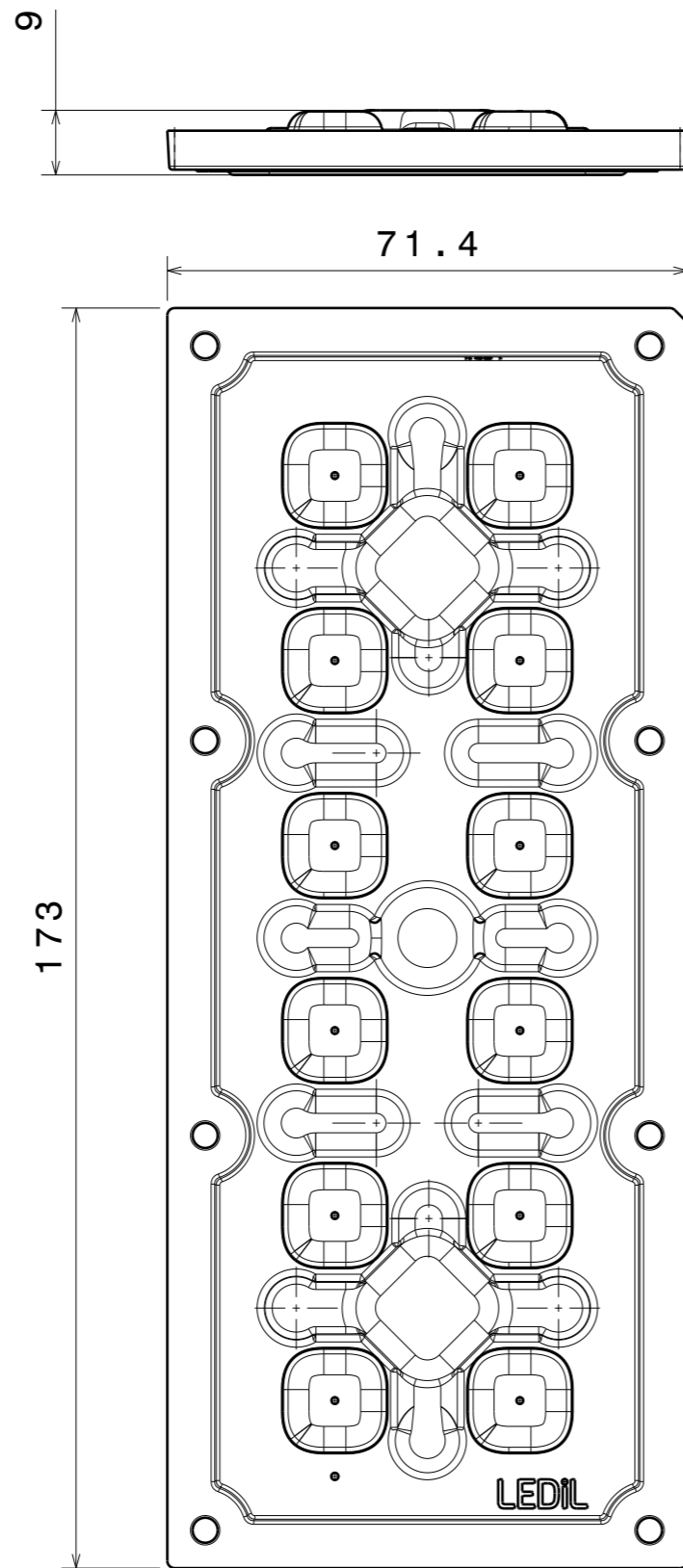
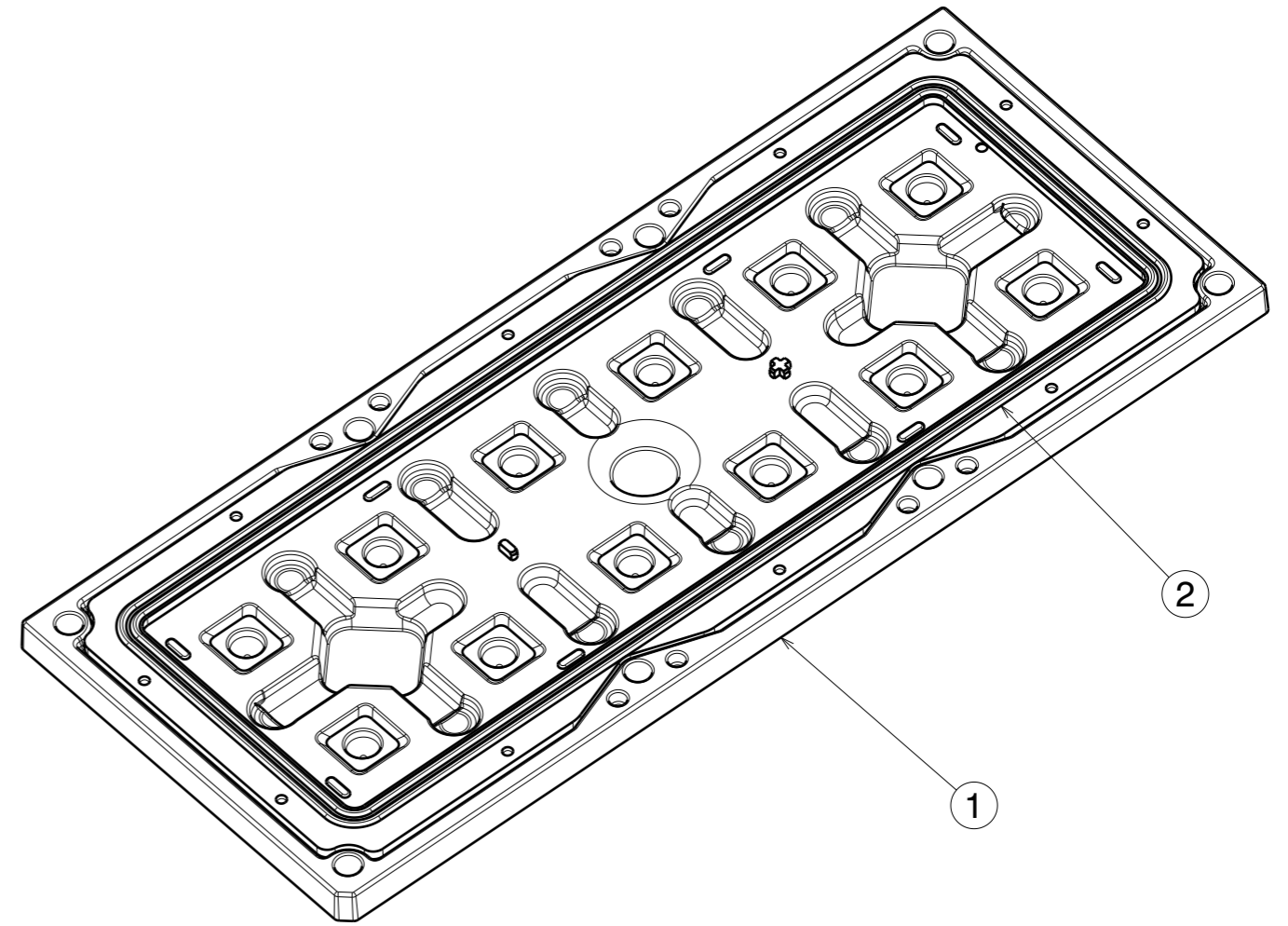
DETAILS

Product Number	CS15020_STRADA-IP-2X6-VSM
Family	Strada-IP
Type	Lens
Color	clear
Diameter	173 + 71,4 mm
Height	9 mm
Style	rectang
Optic Material	
Holder Material	
Fastening	
Status	ready
ROHS Compliant	Yes
Date Updated	3/03/2016



OPTICAL PROPERTIES

LED	Viewing Angle	Light Beam	Efficiency	cd/lm	Connector
LUXEON XR-TX (L2T0-xyy012M)	137 deg		94 %	0.540	-
XT-E	142 deg		94 %	0.470	-



INDEX	PART NO	DESCRIPTION	MATERIAL	COLOUR
1	C15019	STRADA-IP-2X6-VSM	PMMA	clear
2	C14018	2X6-SEAL25	Silicone rubber	

Tolerances if not otherwise shown
 According to DIN ISO 2768-1
 Linear measures:
 up to 30mm class M, otherwise class C
 According to DIN ISO 2768-2
 Form and position: class L



Ledil Oy
 Salorankatu 10
 FIN 24240 SALO
 Finland

THIRD ANGLE PROJECTION:

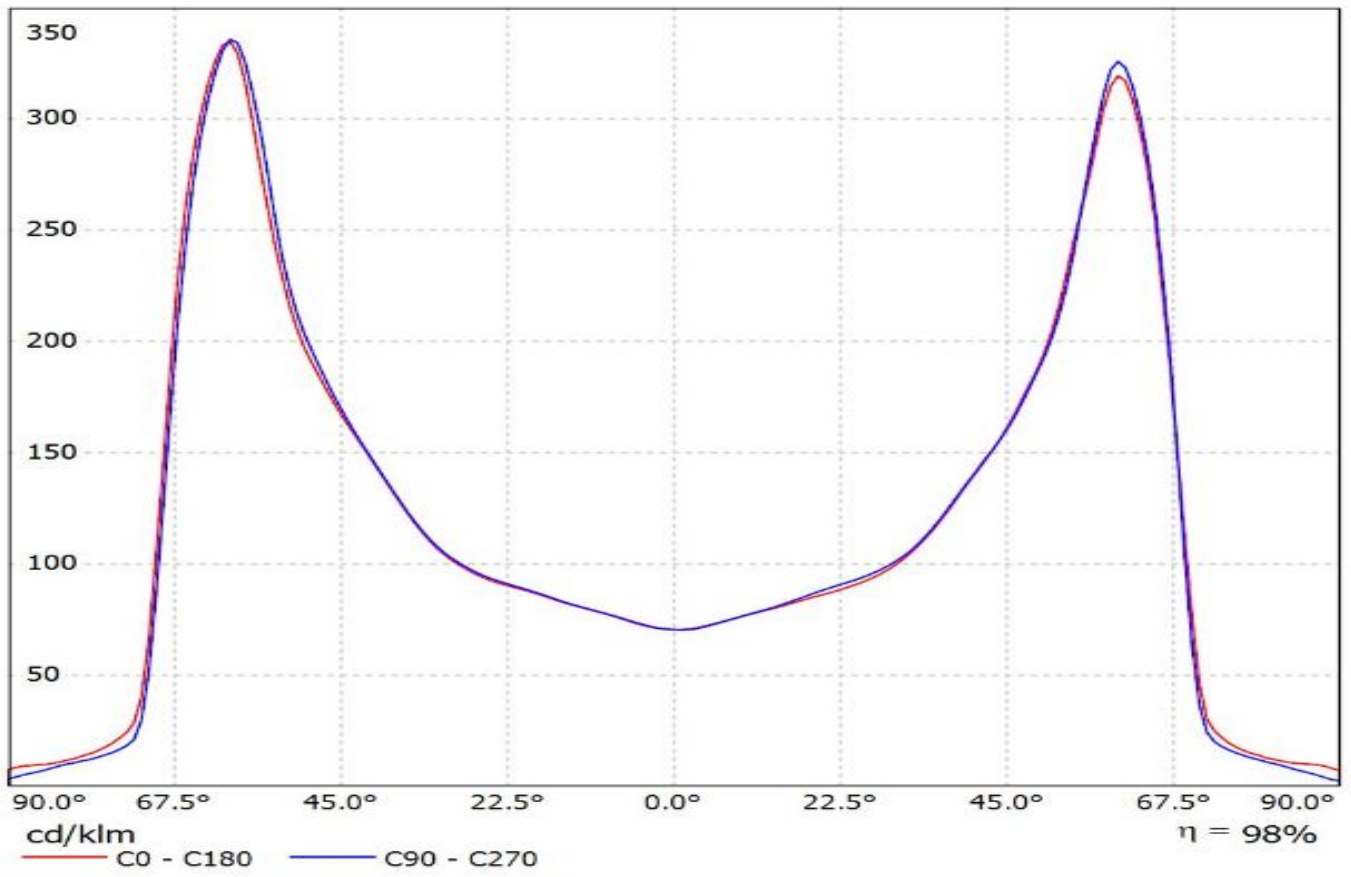
DRAWING TITLE
CS15020 Mechanical model

This drawing is the property of LEDiL Oy. It may not be reproduced, copied or communicated without a written agreement with LEDiL Oy.

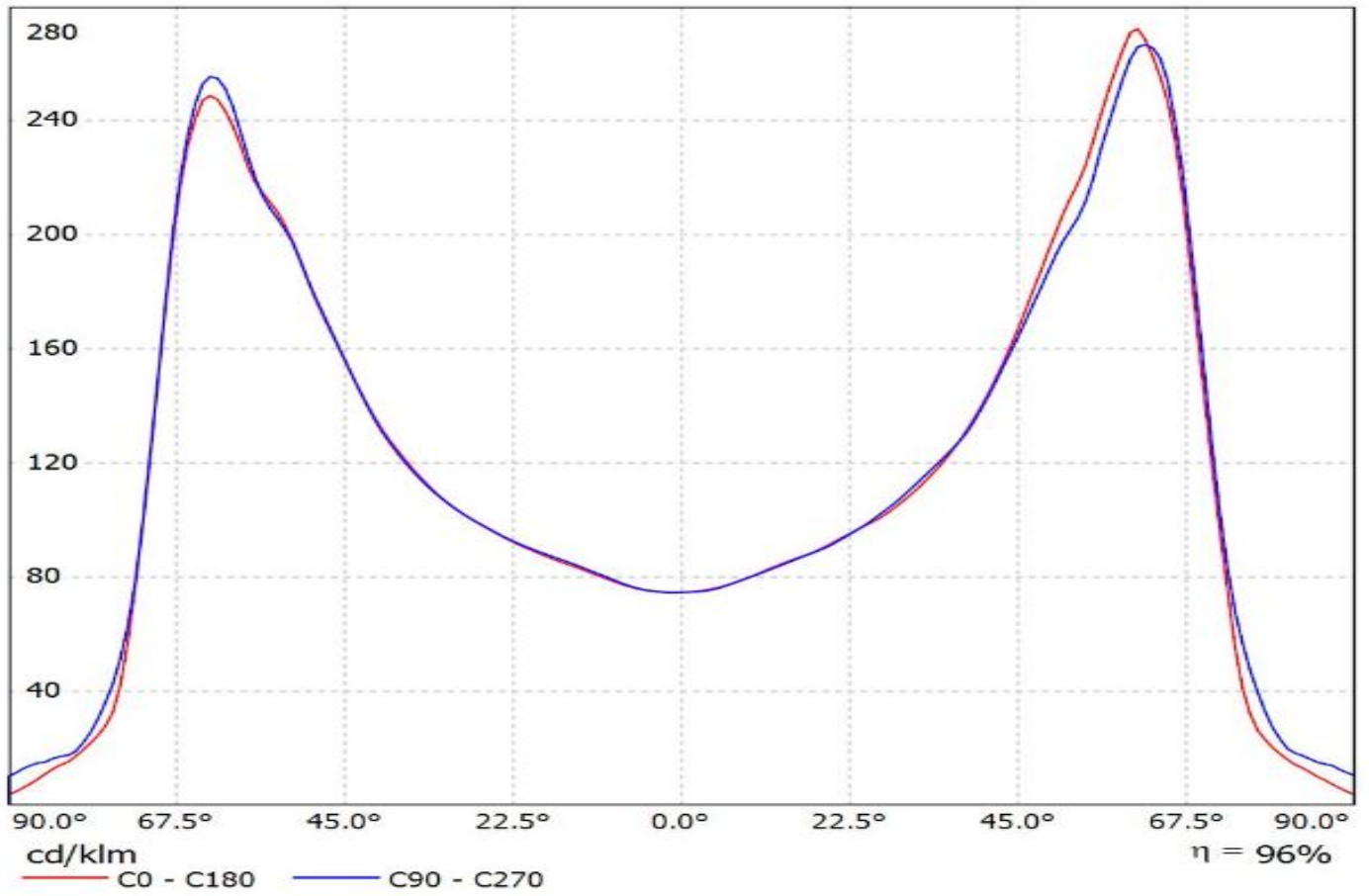
SIZE	PART NUMBER
A3	CS15020

SCALE	1:1	WEIGHT	47,5 g	SHEET	1/1
-------	-----	--------	--------	-------	-----

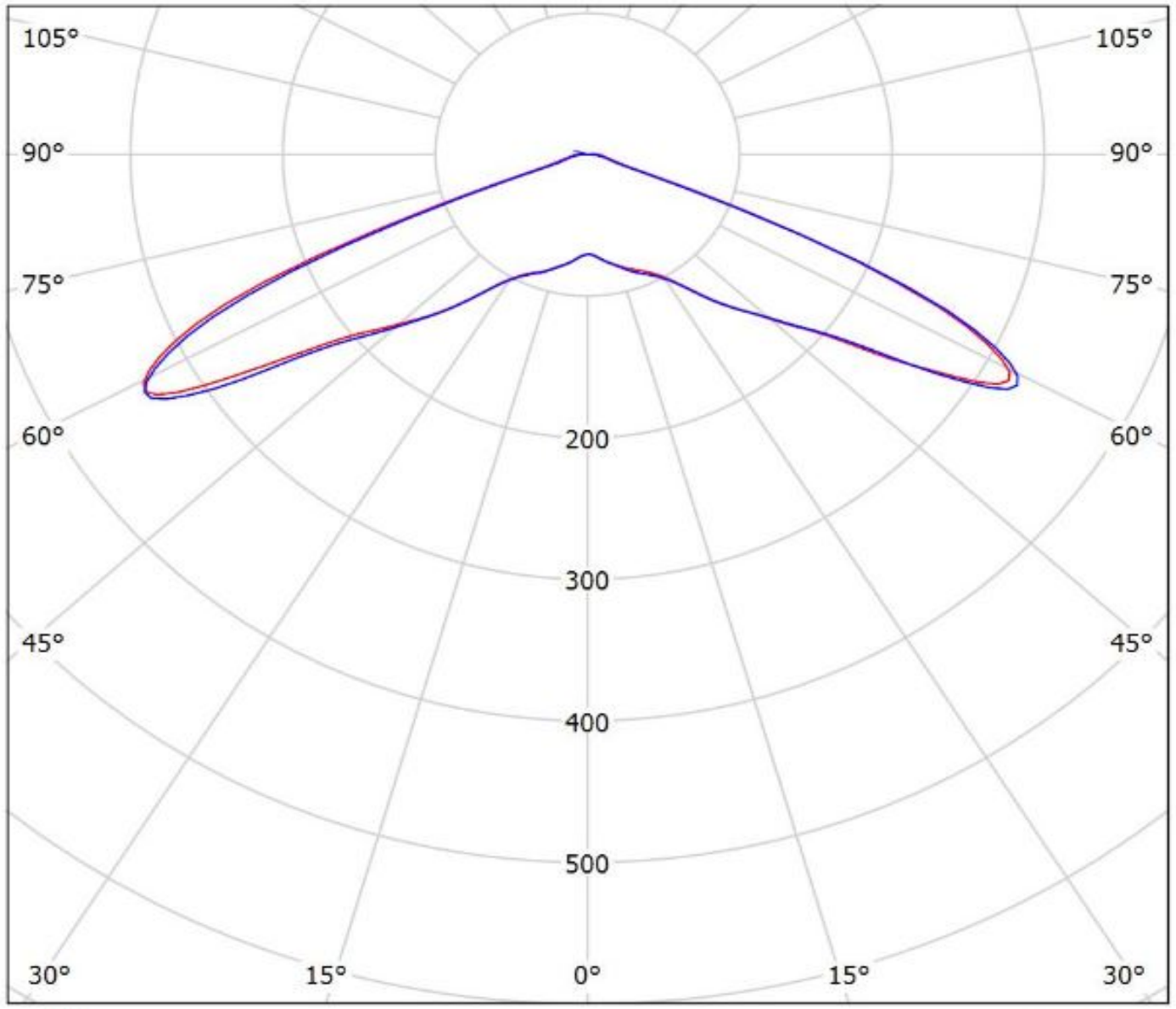
Luminaire: Ledil CS15020_STRADA-IP-2X6-VSM_(Luxeon_XR-TX)
Lamps: 1 x Luxeon_XR-TX_2x6_1376.06lm@250mA_P=8.3883W_I=0.25A



Luminaire: Ledil C15019_STRADA-IP-2X6-VSM_(XT-E)_C4
Lamps: 1 x Cree_XT-E_1286.95lm@250mA_P=8.9200W_I=0.25A



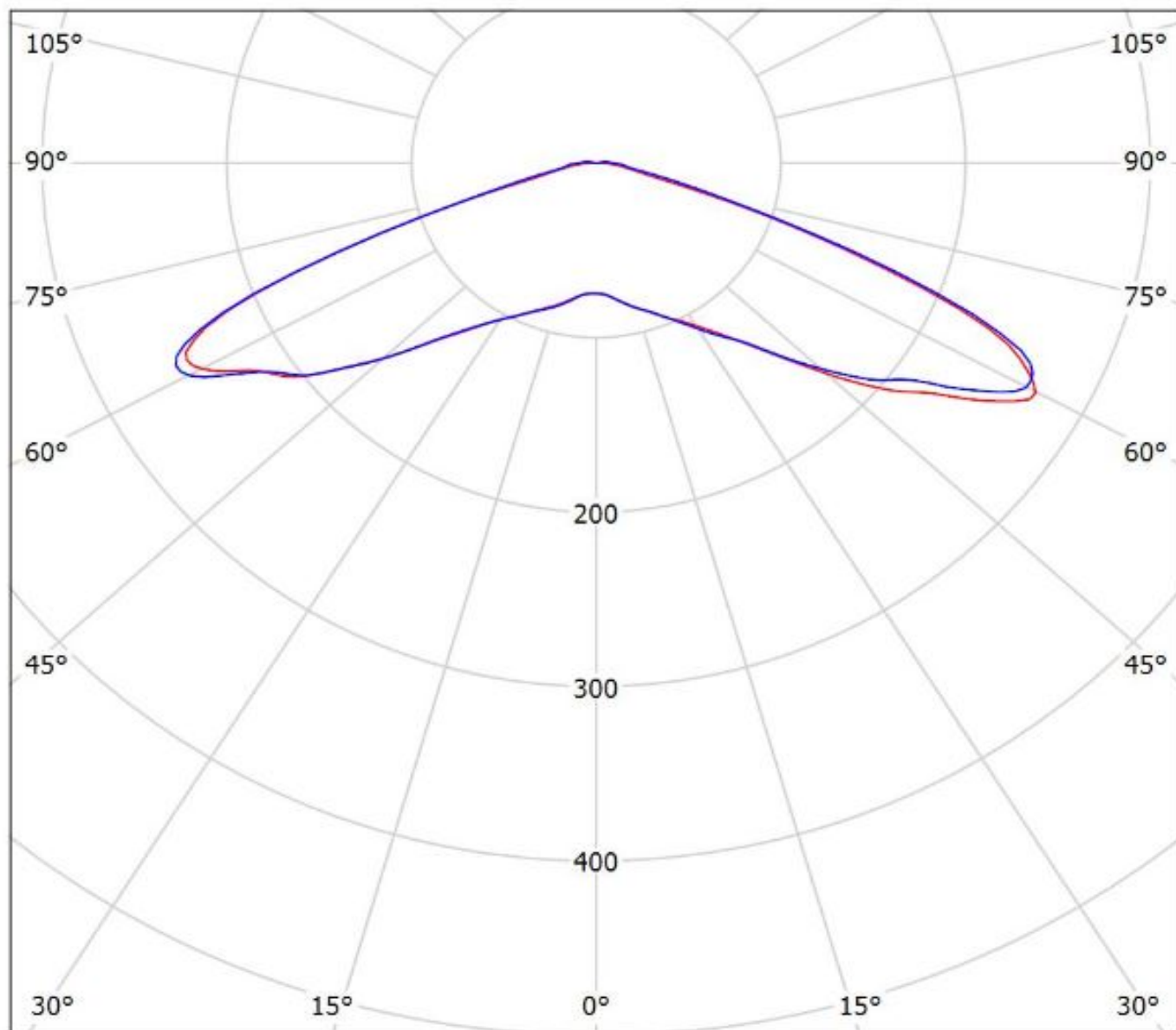
Luminaire: Ledil CS15020_STRADA-IP-2X6-VSM_(Luxeon_XR-TX)
Lamps: 1 x Luxeon_XR-TX_2x6_1376.06lm@250mA_P=8.3883W_I=0.25A



cd/klm
— C0 - C180 — C90 - C270

$\eta = 98\%$

Luminaire: Ledil C15019_STRADA-IP-2X6-VSM_(XT-E)_C4
Lamps: 1 x Cree_XT-E_1286.95lm@250mA_P=8.9200W_I=0.25A



cd/klm

— C0 - C180 — C90 - C270

$\eta = 96\%$

NOTE: The typical divergence will be changed by different color, chip size and chip position tolerance. The typical total divergence is the full angle measured where the luminous intensity is half of the peak value.