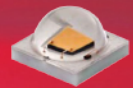


Data Sheet

LL01CR-BLU03L06



XPE2



■ Features & Typical Applications

- High efficiency
- Available with 1 beam angle
- Optimized Uniformity
- Lens without Holder
- Spotlight

■ Table of Contents

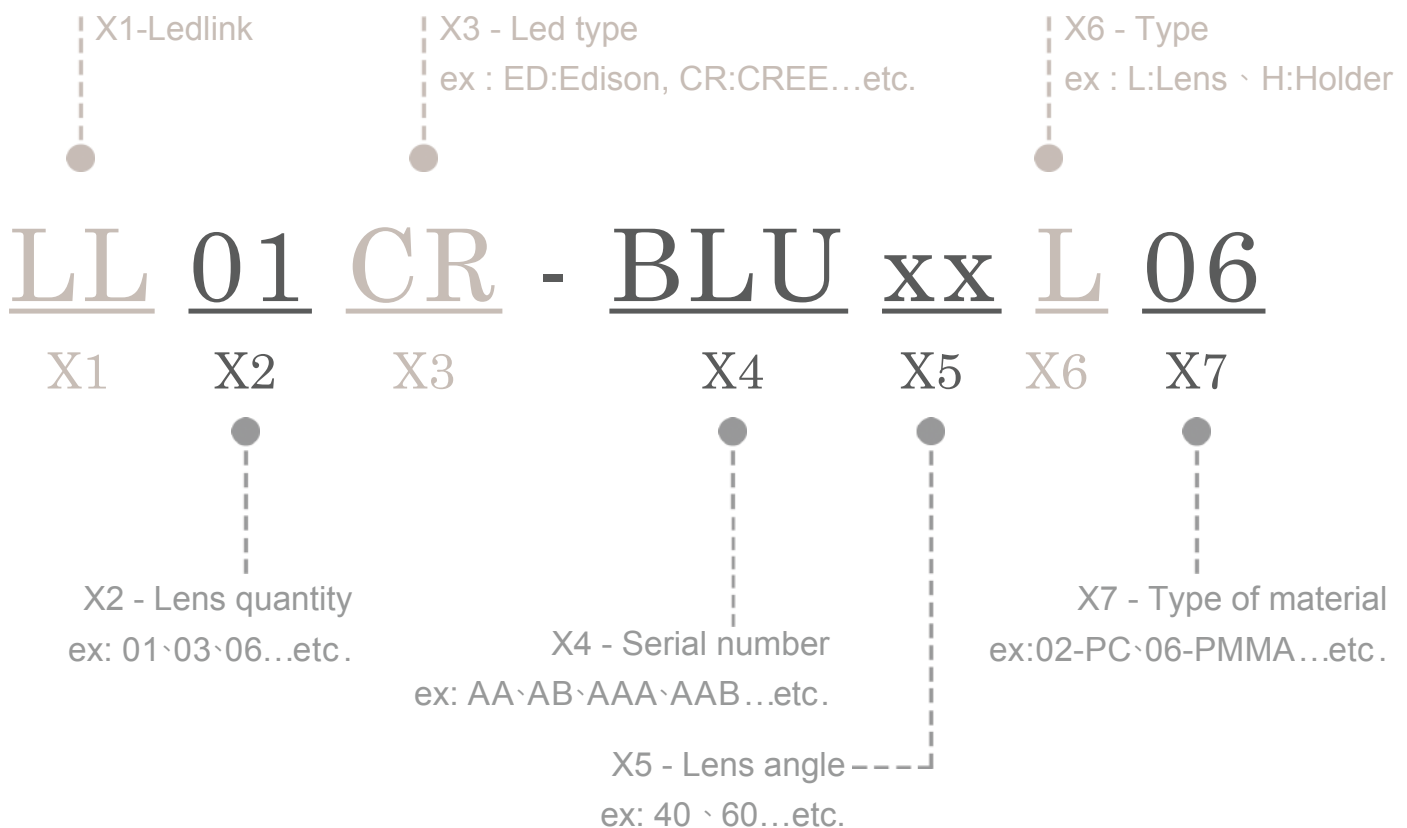
General Information & Product Nomenclature.....	P.2
Optical Specifications	P.3
Mechanical Specifications	P.4
Package Specifications	P.5

LL01CR-BLU03L06

General Information

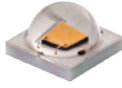
- Lens Material : PMMA 8N
- Operating Temperature range -40°C~+70°C(upper limit +80°C).
- Storage Temperature range -40°C~+70°C(upper limit +80°C).
 - * Average transmittance in visible spectrum 400nm~700nm>90%.
- Usage and Maintenance:
 1. If necessary, clean lenses with mild soap, water and soft cloth.
 2. Never use any commercial cleaning solvents on lenses, like alcohol.
 3. Please handle or install lenses with wearing gloves, skin oils may damage lens or its optical characteristic.

Product Nomenclature



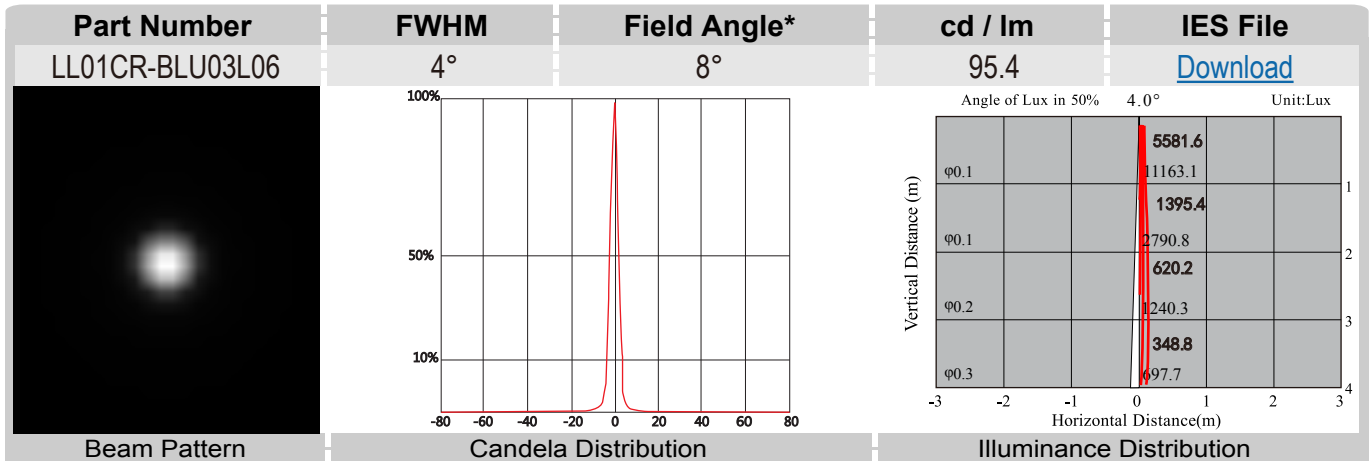
LL01CR-BLU03L06

Optical Specifications



XPE2

Note: (1) All the results of analysis are based on 0 degrees of elevation.
 (2) Tolerance: $\pm 10\%$.
 (3) Led Luminous Flux(lm): 117($\pm 5\%$).



*The Field Angle is the angle between the two directions opposed to each other over the beam axis for which the luminous intensity is 10% that of the maximum luminous intensity.
 *This testing result is obtained through testing the popular rank LED samples which provided by the original manufacturer. Hence, the testing results would be varied as the users choose same LED model but different rank.

LL01CR-BLU03L06

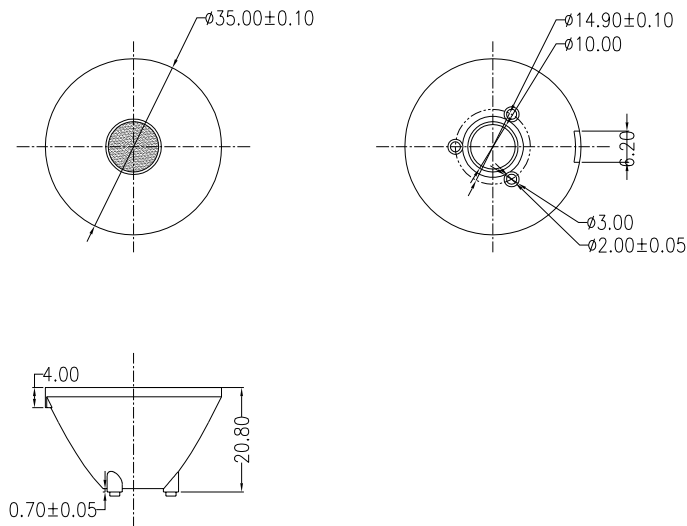
Mechanical Specification

1. Fixing method

Glue
 Screw
 Tape
 Fixing-ring
 Frame

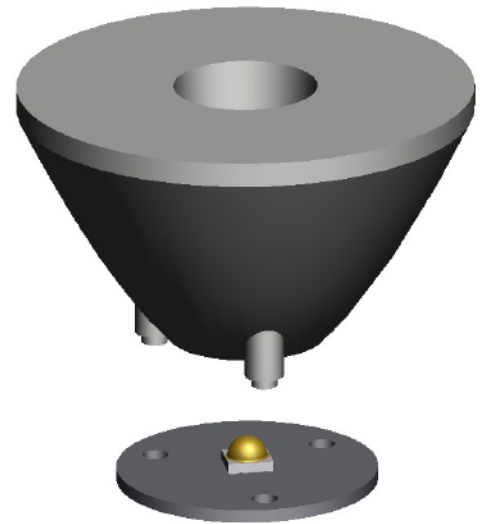
Note: (1) All dimensions are in mm.
 (2) All tolerance are ± 0.15 mm unless otherwise specified.

2. Lens dimensions

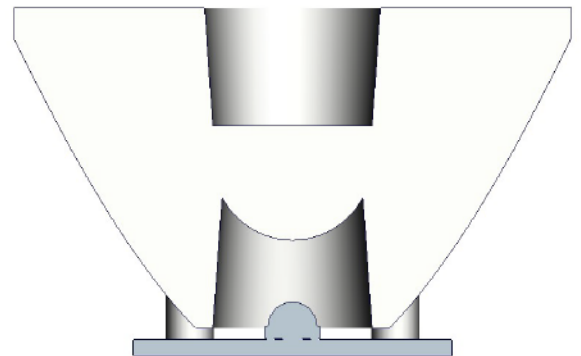


4. Holder dimension

3. Lens + Leds assembly instruction



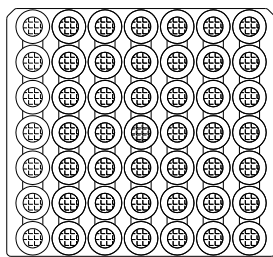
5. View assembly lens with LED:



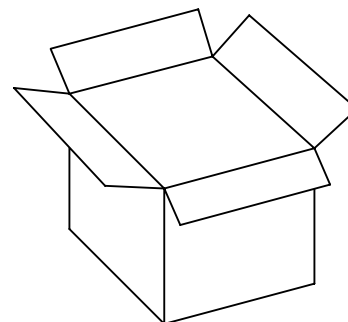
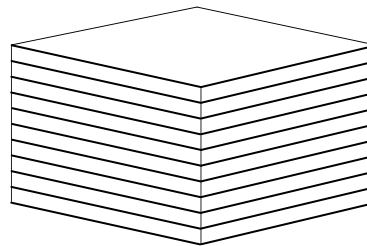
LL01CR-BLU03L06

Package Specifications

Item	Quantity	Total	Size(L*W*H)	G.W
plastic box	49 pcs/plastic box	49 pcs	32*29.5*2.4 cm	12.4g
outer box	8 plastic box/outer box	392 pcs	35*31*21 cm	



49 pcs/plastic box



392 pcs/outer box



Note: