



# CI SERIES

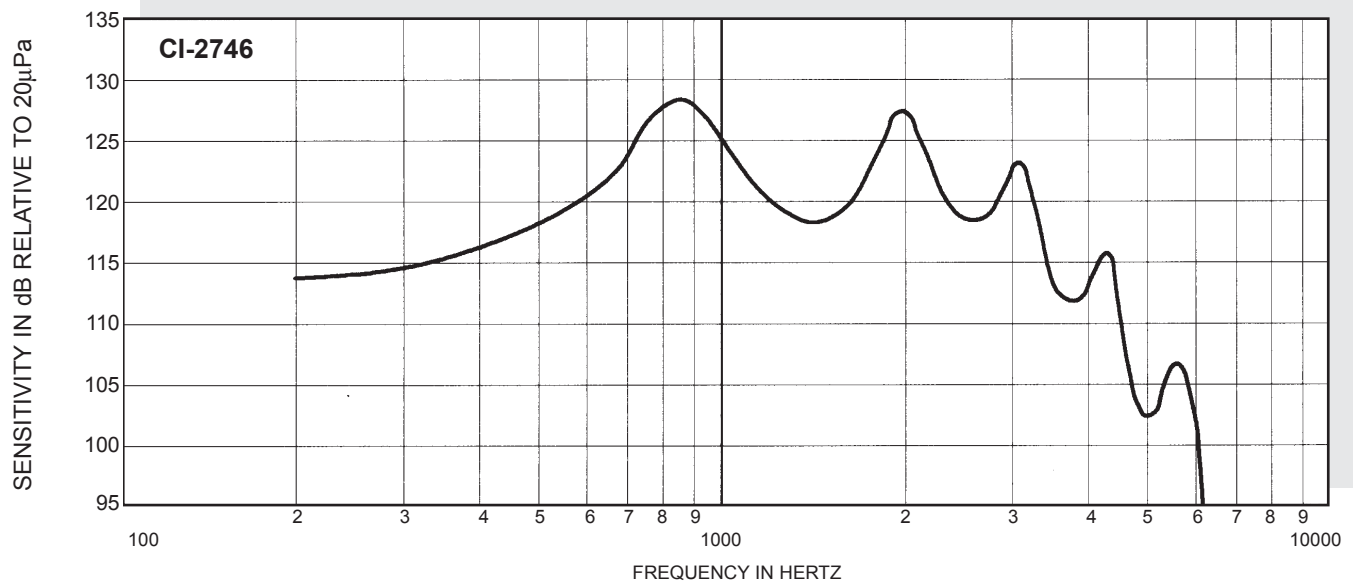


Actual Size

## Features

- Magnetic receiver (balanced armature type)
- Low distortion
- Highest output non-amplified Knowles receiver
- Same size as CL series
- Ideal for BTE applications
- Self-shielded to reduce magnetic radiation
- 3-terminal versions are Class B ready

## Typical Response



Response measured using 8mm x 1mm + 28mm x 1.5mm + 25mm x 2mm + 18mm x 3mm tubing into 2cm<sup>3</sup> cavity.

*Knowles*

data sheet

**Performance**

Response/Sensitivity  
see curve, page 1

Sensitivity Range  
±3dB @ 500Hz

Total Harmonic Distortion  
3.5% typical @ 500Hz, nominal drive

Temperature Range  
operating: -17°C to 63°C  
storage: -40°C to 63°C

**Acoustic Polarity**

2-terminal: A positive going voltage at terminal 2 relative to terminal 1 causes an increase in pressure at the sound outlet

3-terminal: A positive going voltage at terminal 2 relative to the center-tap terminal or a negative going voltage at terminal 1 relative to the center tap terminal, causes an increase in pressure at the sound outlet

**Mechanical**

Weight  
1.0 gram

Case Material  
80Ni20Fe

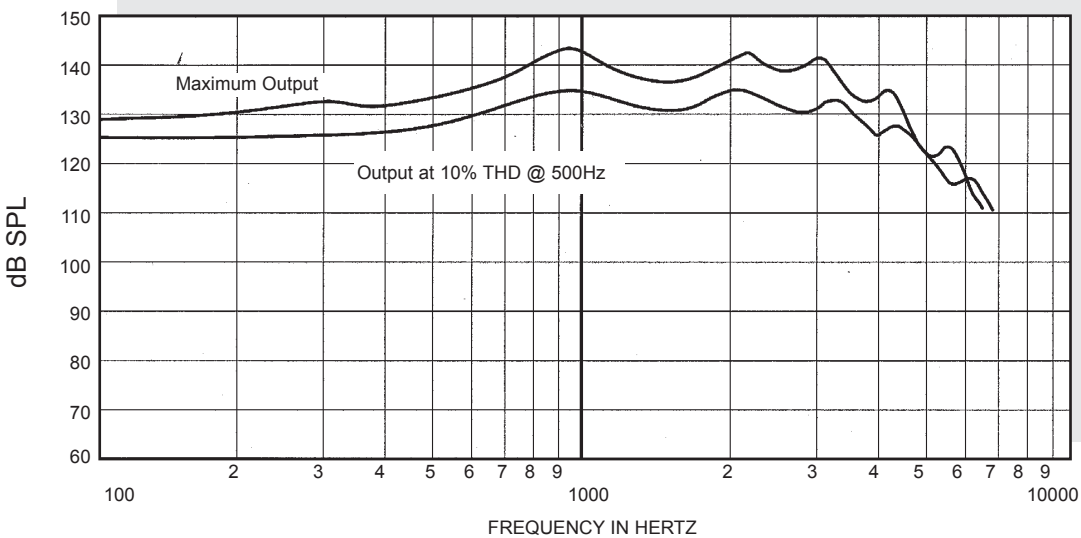
Dimensions  
see outline drawings, pages 3 & 4

Solder Pad Content  
Sn60Pb40

**Optional Soldering Fixture**

Base: ET-3042  
Nest Plate: ET-803  
Back Plate: ET-900

**Saturation**

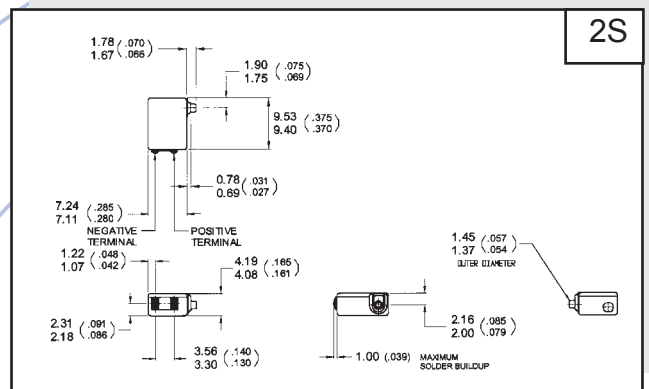
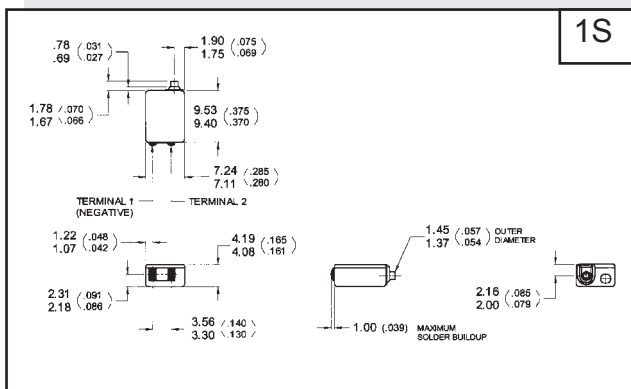


Model	Port Location	Number of Terminals	Impedance at 500Hz	Nominal Impedance* (ohms, ±15%)	Nominal DC Resistance (ohms, ±10%)	AC Drive (mA RMS)
CI-2746	12C	3	115	175	51	2.40
CI-2748	12C	3	165	250	75	2.00
CI-2762	1S	3	115	175	51	2.40
CI-2764	1S	3	165	250	75	2.00
CI-2776	1S	3	45	68	20	3.75
CI-2955	12C	3	45	68	20	3.75
CI-2960	12C	3	264	400	100	1.60
CI-8203	12S	3	165	250	75	2.00
CI-8204	12S	3	264	400	100	1.60
CI-8220	12S	3	45	68	20	3.75
CI-8222	1S	3	264	400	100	1.60
CI-8226	11C	3	165	250	75	2.00
CI-8267	2S	3	165	250	75	2.00
CI-8268	12S	3	115	175	51	2.40
CI-8329	2S	3	115	175	51	2.40
CI-8348	1S	3	641	972	278	1.00
CI-8352	2S	2	45	68	20	3.75
CI-8409	1S	2	264	400	100	1.60
CI-8434	1S	2	66	100	24	3.18

\*Impedances quoted are the geometric average at 1kHz, 1.6kHz and 2.5kHz.

NOTE: All models have zero DC bias and an undamped frequency response.

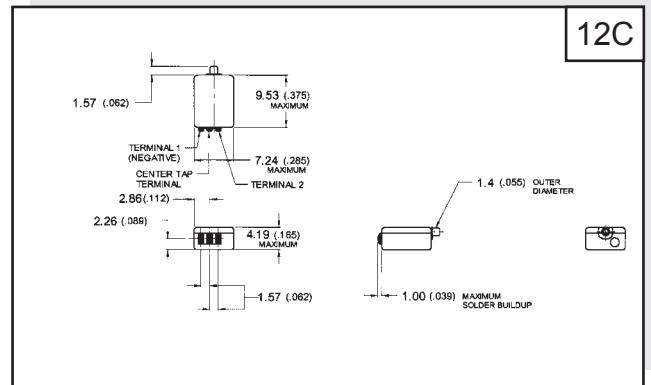
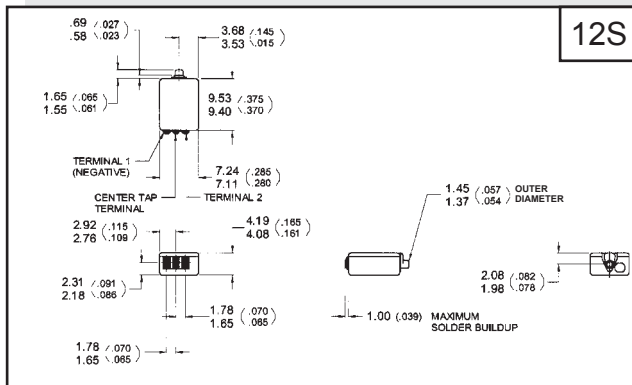
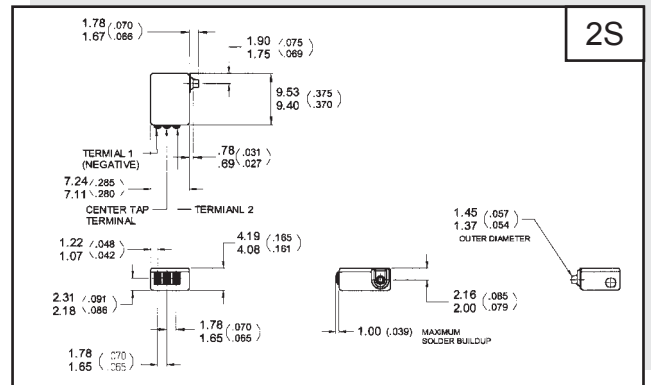
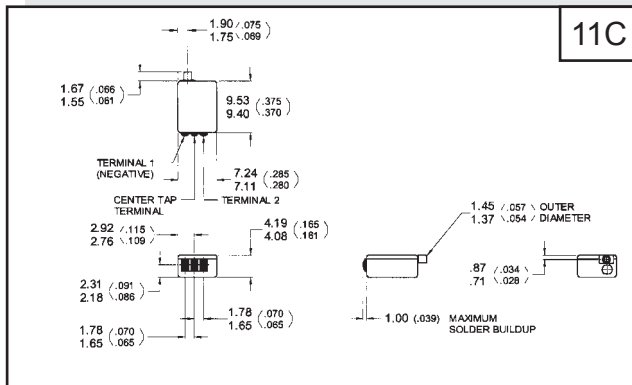
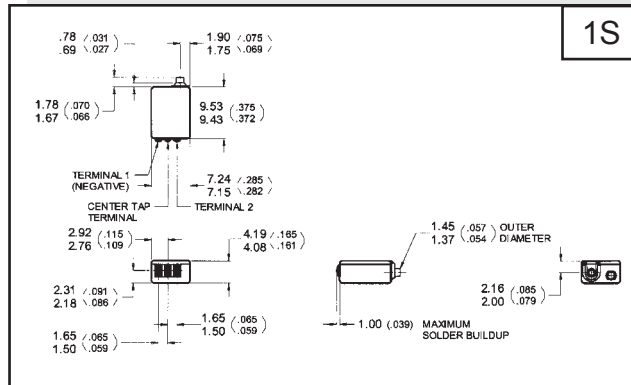
## 2-Terminal Signal Port Locations



Dimensions in millimeters (inches)



# 3-Terminal Signal Port Locations



Dimensions in millimeters (inches)

Knowles Electronics, Inc.  
1151 Maplewood Drive  
Itasca, Illinois 60143  
Phone: (630) 250-5100  
Fax: (630) 250-0575  
www.knowles.com

Knowles Europe  
York Road, Burgess Hill  
West Sussex, RH15 9TT, England  
Phone: (44) 1444 235432  
Fax: (44) 1444 248724

Knowles Electronics Taiwan, Ltd.  
53 Pao Hsing Road  
Hsin Tien City, Taipei, Taiwan  
Republic of China  
Phone: (886) 2 2911 4931  
Fax: (886) 2 2918 6868

Knowles Electronics Japan KK  
Kyodo Bloom Building  
19-1 Miyasaka 2-Chome  
Setagaya-Ku, Tokyo 156-0051, Japan  
Phone: (81) 3 3439 1151  
Fax: (81) 3 3439 8822

Micomax Pty. Ltd.  
P.O. Box 1238  
Wollongong N.S.W.  
2500, Australia  
Phone: (61) 2 4226 6777  
Fax: (61) 2 4226 6602

NOTE: Specifications are subject to change without notice. The information on this Data Sheet reflects typical applications. Specific test specifications defining each model are available by requesting Outline Drawing Sheets 1.1 and Performance Specifications Sheets 2.1 of that model number. Knowles' responsibility is limited to compliance with the Outline Drawing and the Performance Specification application to the subject model at time of manufacture.

**Knowles Electronics, Inc.**