

1
RoHS Compliance

2

3

4

5

6

7

8

A

B

C

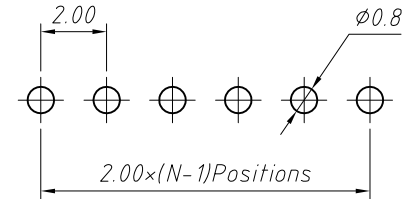
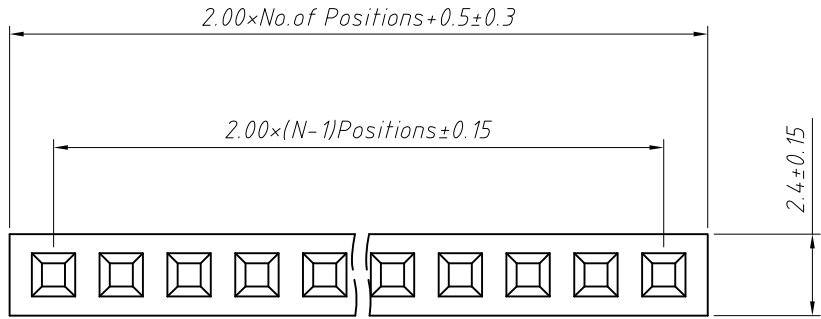
D

E

F

G

H

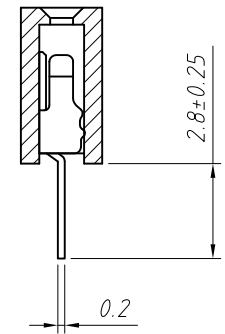
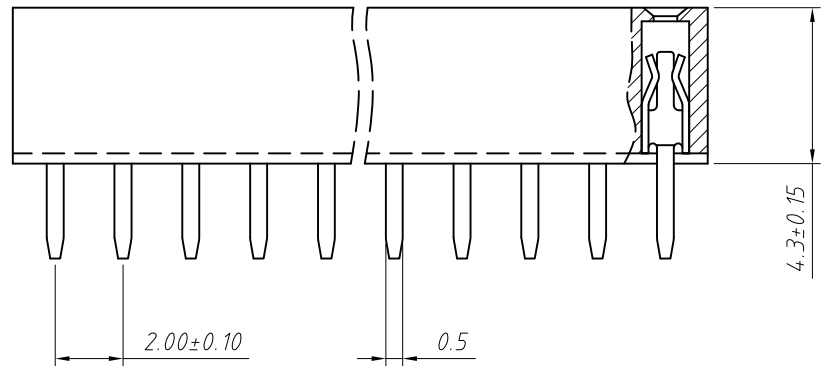


Recommended P.C.B Layout (Top Side)
(PCB BOARD TOLERANCE ± 0.05)

Material:
Standard: PBT/PA6T
Contact: Brass
Plating: Au or Sn Over Ni
Insulator: Polyester, UL94V-0

Electrical Characteristics:
Rated Current: 1.5AMP
Contact Resistance: 20mΩ Max
Withstand Voltage: 500V AC/DC
Insulator Resistance: 1000MΩ Min

Mechanical
Operating Temperature: -40°C ~ +105°C
Max. Processing Temp: 230°C for 30-60 seconds (260°C for 10 seconds)



Order Information:
L-KLS1-208B-4.3-1-XX-S-B

L: RoHS
Female Header
Series 208B: 2.00mm
Plastics Height: 4.3mm
Per Row: Single layer
Pin: No. of Pins (1x40)
Type: Straight Pin
Material: A=PBT B=PA6T C=LCP

ANGLE TOLERANCE	PROJECTION	Description:	2.0x4.3mm Female Header Single layer, Straight Pin, 1xN Pin	
±3°				
GENERAL TOLERANCE	UNITS	mm	KLS P/N:	L-KLS1-208B-4.3-1-XX-S-B
x.x ±0.30	SHEET SIZE	A4		
x.xx ±0.20	Draw:	Daniel	2018-07-10	
x.xxx ±0.10	Check:	Daniel	2018-07-10	

NingBo KLS ELECTRONIC CO.,L TD.

1

2

3

4

5

6

7

8

A

B

C

D

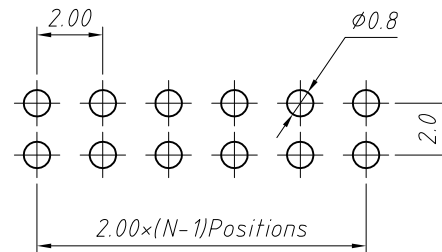
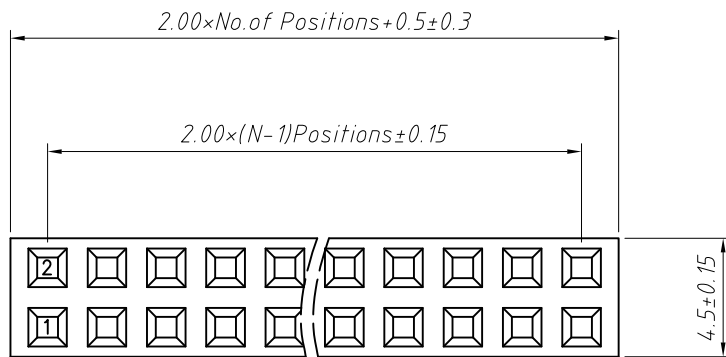
E

F

G

H

1
RoHS Compliance

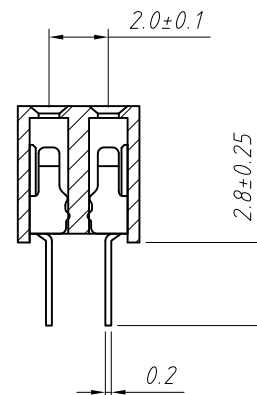
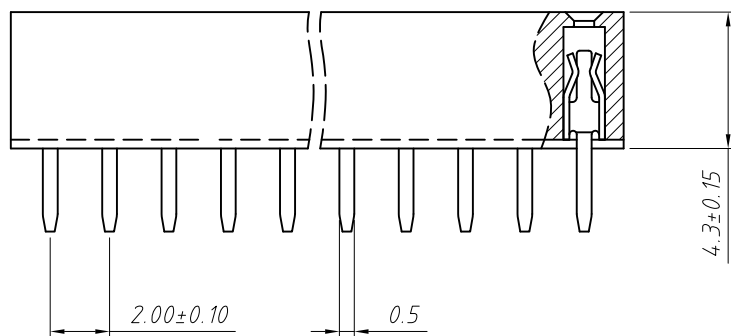


Recommended P.C.B Layout (Top Side)
(PCB BOARD TOLERANCE ± 0.05)

Material:
Standard: PBT/PA6T
Contact: Brass
Plating: Au or Sn Over Ni
Insulator: Polyester, UL94V-0

Electrical Characteristics:
Rated Current: 1.5AMP
Contact Resistance: 20mΩ Max
Withstand Voltage: 500V AC/DC
Insulator Resistance: 1000MΩ Min

Mechanical
Operating Temperature: -40°C ~ +105°C
Max. Processing Temp: 230°C for 30-60 seconds (260°C for 10 seconds)



Order Information:
L-KLS1-208B-4.3-2-XX-S-B

L: RoHS
Female Header
Series 208B: 2.00mm
Plastics Height: 4.3mm
Per Row: Double layer
Pin: No. of Pins (02~80)
Type: Straight Pin
Material: A=PBT B=PA6T C=LCP

ANGLE TOLERANCE	PROJECTION	Description:	2.0x4.3mm Female Header Double layer, Straight Pin, 2xN Pin	
±3°				
GENERAL TOLERANCE	UNITS	mm	KLS P/N:	L-KLS1-208B-4.3-2-XX-S-B
x.x ±0.30	SHEET SIZE	A4		
x.xx ±0.20	Draw:	Daniel	2018-07-10	
x.xxx ±0.10	Check:	Daniel	2018-07-10	

NingBo KLS ELECTRONIC CO.,LTD.

1
RoHS Compliance

2

3

4

5

6

7

8

A

B

C

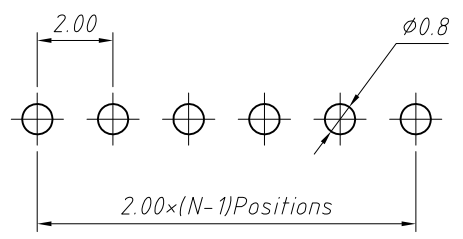
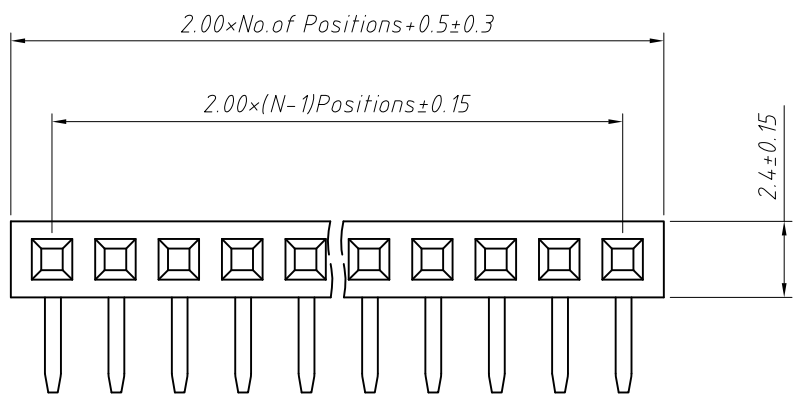
D

E

F

G

H

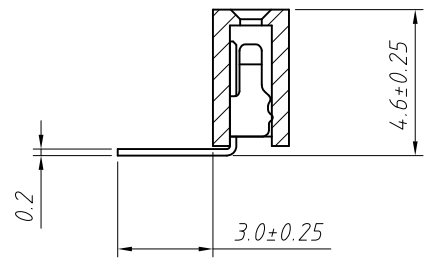
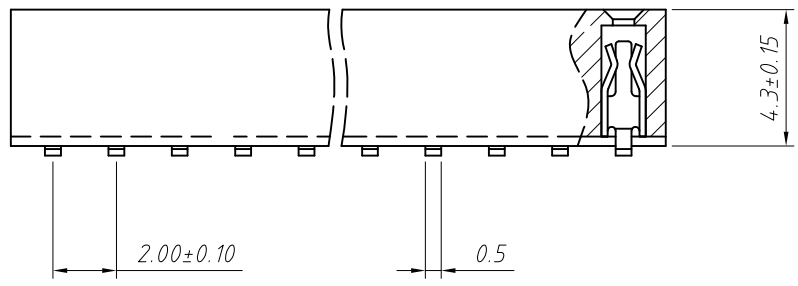


Recommended P.C.B Layout (Top Side)
(PCB BOARD TOLERANCE ± 0.05)

Material:
Standard: PBT/PA6T
Contact: Brass
Plating: Au or Sn Over Ni
Insulator: Polyester, UL94V-0

Electrical Characteristics:
Rated Current: 1.5AMP
Contact Resistance: 20mΩ Max
Withstand Voltage: 500V AC/DC
Insulator Resistance: 1000MΩ Min

Mechanical
Operating Temperature: -40°C ~ +105°C
Max. Processing Temp: 230°C for 30-60 seconds (260°C for 10 seconds)



Order Information:
L-KLS1-208B-4.3-1-XX-R1-B
L: RoHS
Female Header
Series 208B: 2.00mm
Plastics Height: 4.3mm
Per Row: Single layer
Pin: No. of Pins (1x40)
Right Angle Pin: R1 Type
Material: A=PBT B=PA6T C=LCP

ANGLE TOLERANCE	PROJECTION	Description:	2.0x4.3mm Female Header Single layer, Right Angle Pin, 1xN Pin	
±3°				
GENERAL TOLERANCE	UNITS	mm	KLS P/N:	L-KLS1-208B-4.3-1-XX-R1-B
x.x ±0.30	SHEET SIZE	A4		
x.xx ±0.20	Draw:	Daniel	2018-07-10	
x.xxx ±0.10	Check:	Daniel	2018-07-10	

NingBo KLS ELECTRONIC CO.,L TD.

1

2

3

4

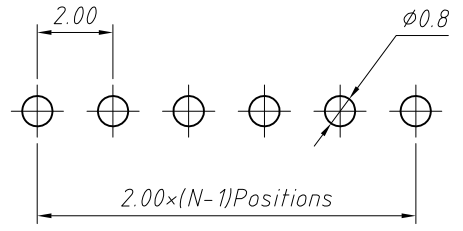
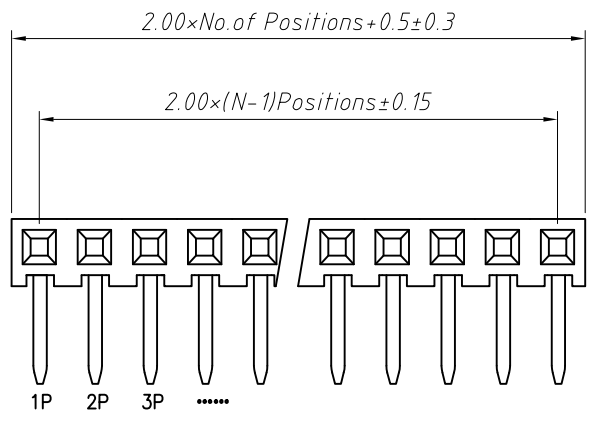
5

6

7

8

1
RoHS Compliance

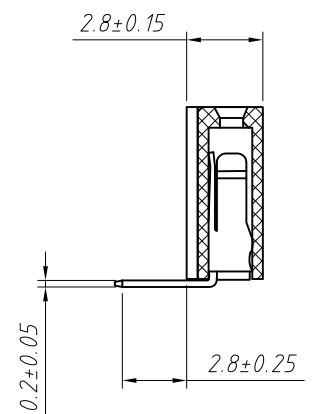
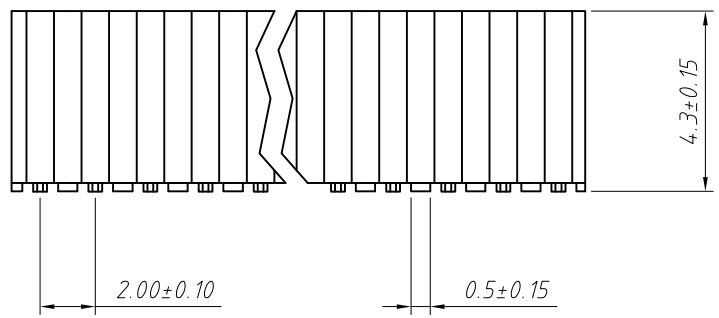


Recommended P.C.B Layout (Top Side)
(PCB BOARD TOLERANCE ± 0.05)

Material:
Standard: PBT/PA6T
Contact: Brass
Plating: Au or Sn Over Ni
Insulator: Polyester, UL94V-0

Electrical Characteristics:
Rated Current: 1.5AMP
Contact Resistance: 20mΩ Max
Withstand Voltage: 500V AC/DC
Insulator Resistance: 1000MΩ Min

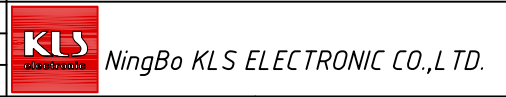
Mechanical
Operating Temperature: -40°C ~ +105°C
Max. Processing Temp: 230°C for 30-60 seconds (260°C for 10 seconds)



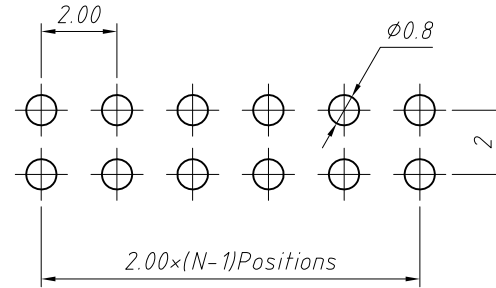
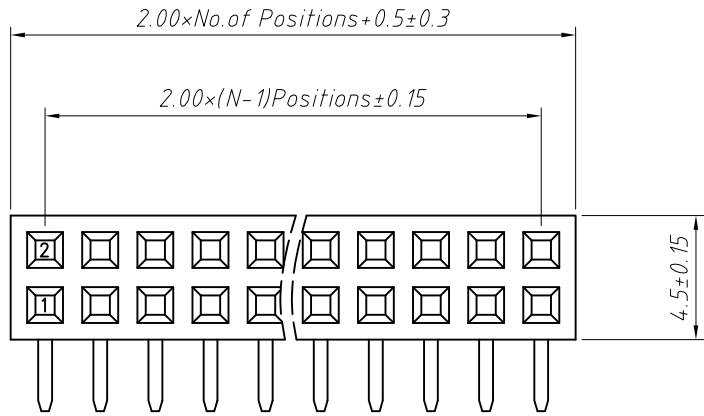
Order Information:
L-KLS1-208B-4.3-1-XX-R2-B

- L: RoHS
- Female Header
- Series 208B: 2.00mm
- Plastics Height: 4.3mm
- Per Row: Single layer
- Pin: No. of Pins (1x40)
- Right Angle Pin: R2 Type
- Material: A=PBT B=PA6T C=LCP

ANGLE TOLERANCE	PROJECTION	Description:	2.0x4.3mm Female Header
±3°			Single layer, Right Angle Pin, 1xN Pin
GENERAL TOLERANCE	UNITS	mm	KLS P/N:
x.x ±0.30	SHEET SIZE	A4	L-KLS1-208B-4.3-1-XX-R2-B
x.xx ±0.20	Draw:	Daniel	2018-07-10
x.xxx ±0.10	Check:	Daniel	2018-07-10



1
RoHS Compliance

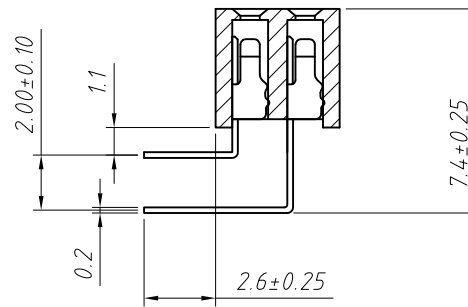
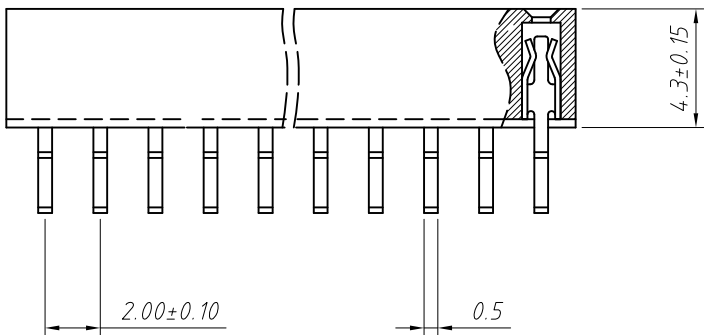


Recommended P.C.B Layout (Top Side)
(PCB BOARD TOLERANCE ±0.05)

Material:
Standard: PBT/PA6T
Contact: Brass
Plating: Au or Sn Over Ni
Insulator: Polyester, UL94V-0

Electrical Characteristics:
Rated Current: 1.5AMP
Contact Resistance: 20mΩ Max
Withstand Voltage: 500V AC/DC
Insulator Resistance: 1000MΩ Min

Mechanical
Operating Temperature: -40°C ~ +105°C
Max. Processing Temp: 230°C for 30-60 seconds (260°C for 10 seconds)



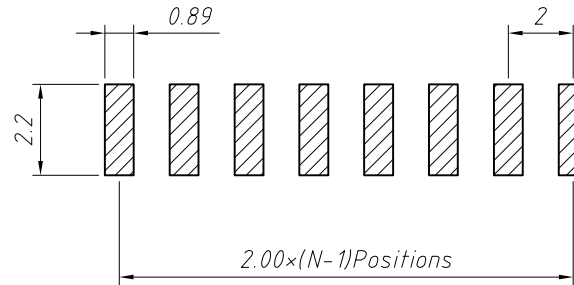
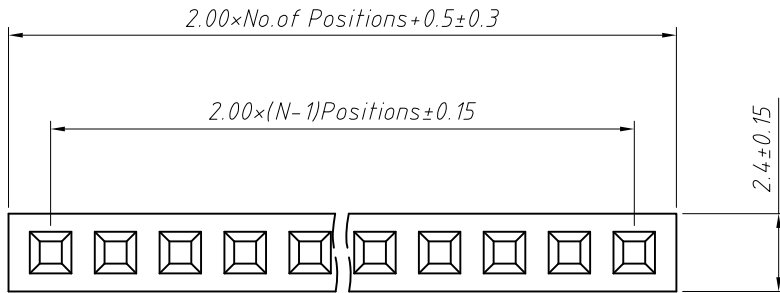
Order Information:
L-KLS1-208B-4.3-2-XX-R-B

L: RoHS
Female Header
Series 208B: 2.00mm
Plastics Height: 4.3mm
Per Row: Double layer
Pin: No. of Pins (02~80)
Type: Right Angle Pin
Material: A=PBT B=PA6T C=LCP

ANGLE TOLERANCE	PROJECTION	Description:	2.0x4.3mm Female Header Double layer, Right Angle Pin, 2xN Pin
±3°			
GENERAL TOLERANCE	UNITS	mm	KLS P/N:
x.x ±0.30	SHEET SIZE	A4	L-KLS1-208B-4.3-2-XX-R-B
x.xx ±0.20	Draw:	Daniel	2018-07-10
x.xxx ±0.10	Check:	Daniel	2018-07-10

NingBo KLS ELECTRONIC CO.,LTD.

1 RoHS Compliance

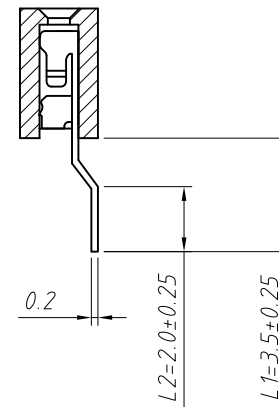
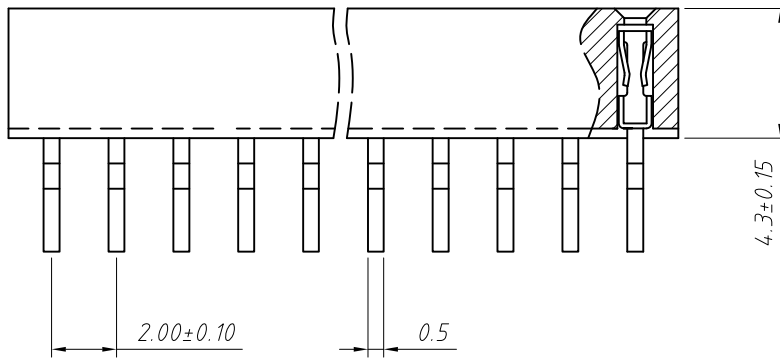


Recommended P.C.B Layout (Top Side)
(PCB BOARD TOLERANCE ± 0.05)

Material:
Standard: PA6T
Contact: Phosphor Bronze
Plating: Au or Sn Over Ni
Insulator: Polyester, UL 94V-0

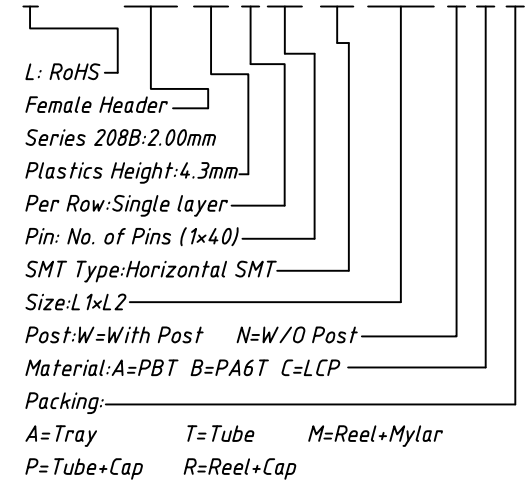
Electrical Characteristics:
Rated Current: 1.5AMP
Contact Resistance: 20mΩ Max
Withstand Voltage: 500V AC/DC
Insulator Resistance: 1000MΩ Min

Mechanical
Operating Temperature: -40°C ~ +105°C
Max. Processing Temp: 230°C for 30-60 seconds (260°C for 10 seconds)



Order Information:

L-KLS1-208B-4.3-1-XX-RM-L1xL2-N-B-R



L: RoHS
Female Header
Series 208B: 2.00mm
Plastics Height: 4.3mm
Per Row: Single layer
Pin: No. of Pins (1x40)
SMT Type: Horizontal SMT
Size: L1xL2
Post: W=With Post N=W/O Post
Material: A=PBT B=PA6T C=LCP
Packing:
A=Tray T=Tube M=Reel+Mylar
P=Tube+Cap R=Reel+Cap

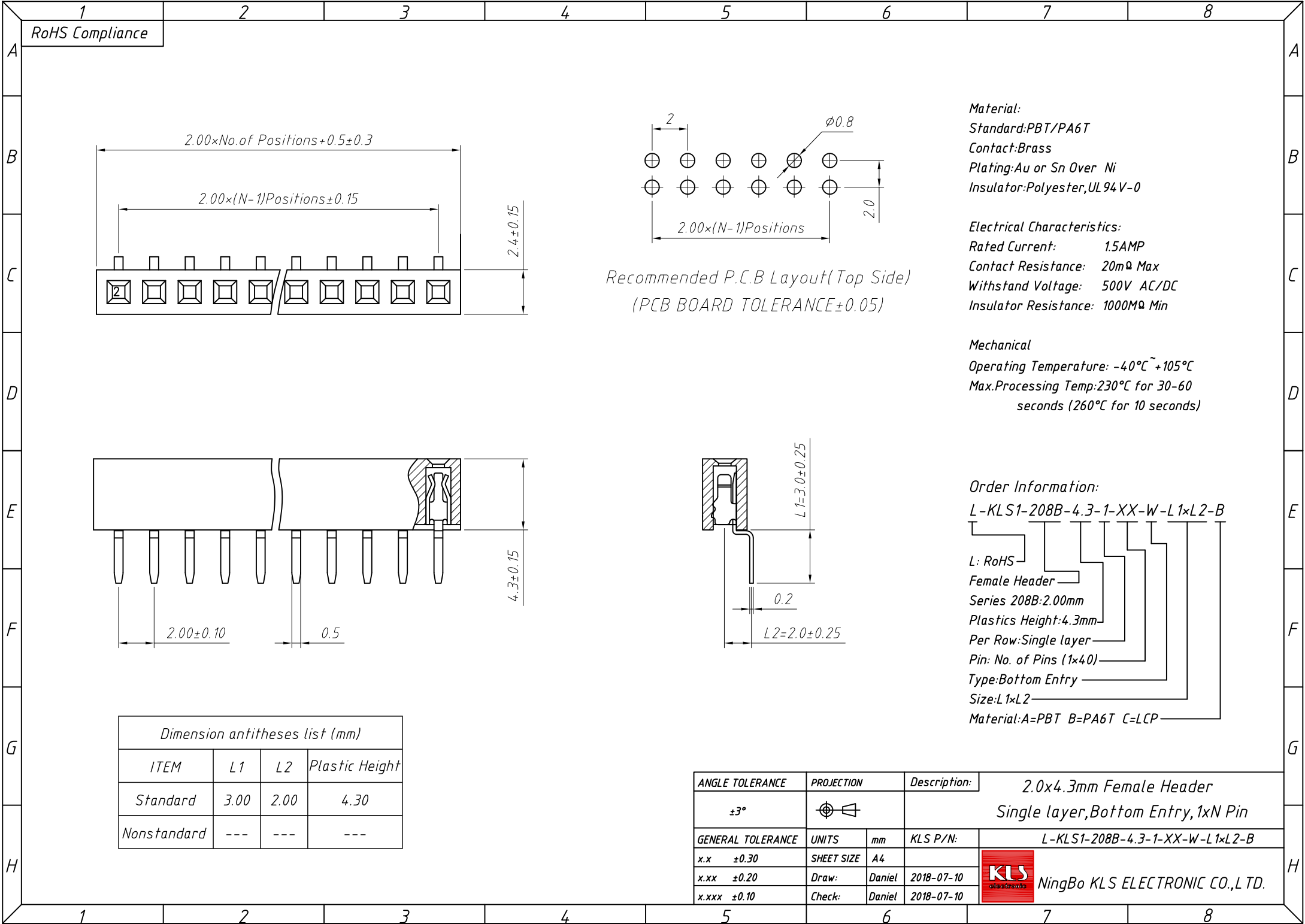
Dimension antitheses list (mm)			
ITEM	L1	L2	Plastic Height
Standard	3.50	2.00	4.30
Nonstandard	---	---	---

ANGLE TOLERANCE	PROJECTION	Description:
±3°		2.0x4.3mm Female Header Single layer, Horizontal SMT, 1xN Pin
GENERAL TOLERANCE	UNITS	mm
x.x ±0.30	SHEET SIZE	A4
x.xx ±0.20	Draw:	Daniel 2018-07-10
x.xxx ±0.10	Check:	Daniel 2018-07-10



NingBo KLS ELECTRONIC CO., L TD.

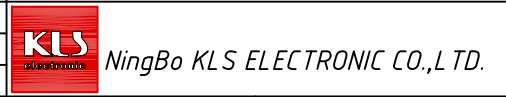
1
RoHS Compliance



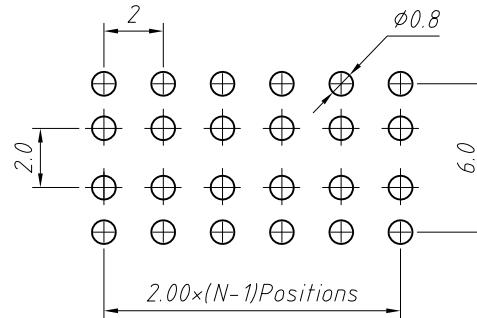
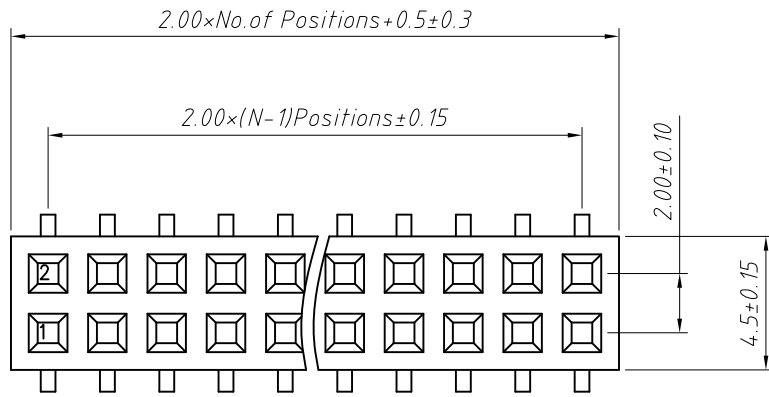
Dimension antitheses list (mm)

ITEM	L1	L2	Plastic Height
Standard	3.00	2.00	4.30
Nonstandard	---	---	---

ANGLE TOLERANCE	PROJECTION	Description:	2.0x4.3mm Female Header Single layer, Bottom Entry, 1xN Pin
±3°			
GENERAL TOLERANCE	UNITS	mm	KLS P/N: L-KLS1-208B-4.3-1-XX-W-L1×L2-B
x.x ±0.30	SHEET SIZE	A4	
x.xx ±0.20	Draw:	Daniel	2018-07-10
x.xxx ±0.10	Check:	Daniel	2018-07-10



1 RoHS Compliance

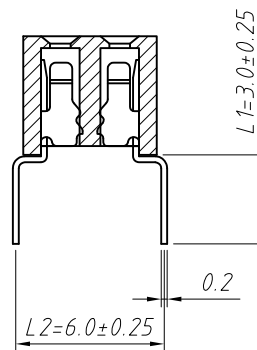
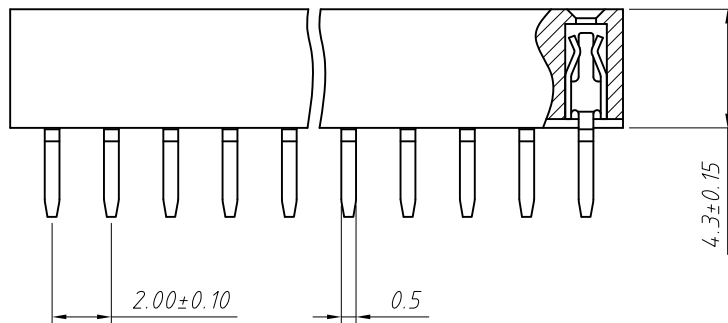


Recommended P.C.B Layout (Top Side)
(PCB BOARD TOLERANCE ±0.05)

Material:
Standard: PBT/PA6T
Contact: Brass
Plating: Au or Sn Over Ni
Insulator: Polyester, UL94V-0

Electrical Characteristics:
Rated Current: 1.5AMP
Contact Resistance: 20mΩ Max
Withstand Voltage: 500V AC/DC
Insulator Resistance: 1000MΩ Min

Mechanical
Operating Temperature: -40°C ~ +105°C
Max. Processing Temp: 230°C for 30-60 seconds (260°C for 10 seconds)



Order Information:
L-KLS1-208B-4.3-2-XX-W-L1xL2-B

L: RoHS
Female Header
Series 208B: 2.00mm
Plastics Height: 4.3mm
Per Row: Double layer
Pin: No. of Pins (02~80)
Type: Bottom Entry
Size: L1xL2
Material: A=PBT B=PA6T C=LCP

Dimension antitheses list (mm)

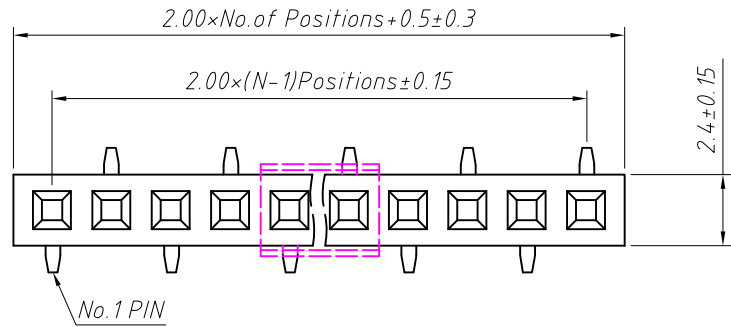
ITEM	L1	L2	Plastic Height
Standard	3.00	6.00	4.30
Nonstandard	---	---	---

ANGLE TOLERANCE	PROJECTION	Description:
±3°		2.0x4.3mm Female Header Double layer, Bottom Entry, 2xN Pin
GENERAL TOLERANCE	UNITS	mm
x.x ±0.30	SHEET SIZE	A4
x.xx ±0.20	Draw:	Daniel 2018-07-10
x.xxx ±0.10	Check:	Daniel 2018-07-10

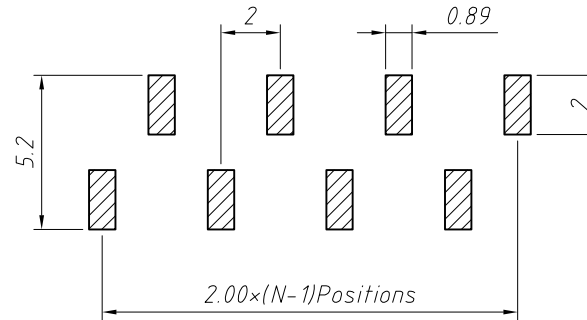
L-KLS1-208B-4.3-2-XX-W-L1xL2-B

NingBo KLS ELECTRONIC CO.,L TD.

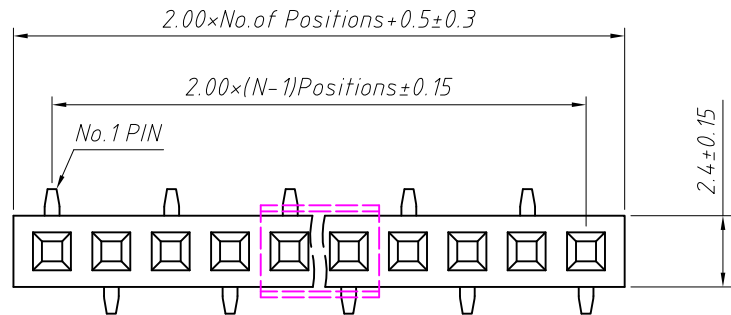
RoHS Compliance



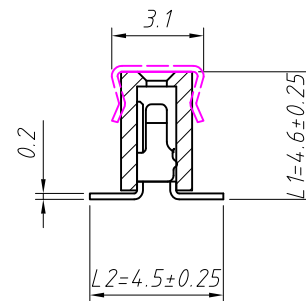
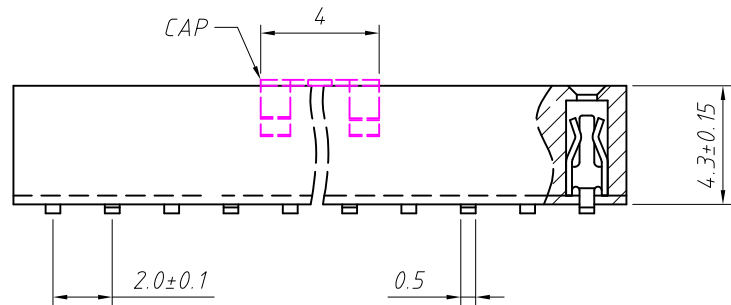
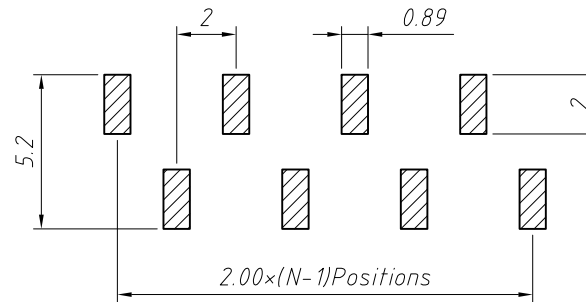
T2 Type



Recommended P.C.B Layout (Top Side)
(PCB BOARD TOLERANCE ± 0.05)



T1 Type



Material:
Standard: PA6T
Contact: Brass
Contact plating: Au or Sn over Ni
Nickel Insulator: Polyester, UL 94 V-0

Electrical Characteristics:
Rated Current: 1.5AMP
Contact Resistance: 20mΩ Max
Withstand Voltage: 500V AC/DC
Insulator Resistance: 1000MΩ Min

Mechanical
Operating Temperature: -40°C ~ +105°C
Max. Processing Temp: 230°C for 30-60 seconds (260°C for 10 seconds)

Order Information:

L-KLS1-208B-4.3-1-XX-T1-L1xL2-N-B-R

- L: RoHS
- Pin Header Series - 208B: 2.00mm
- Plastics Height: 4.3mm
- Per Row: Single layer
- Pin: No. of Pins (1x40)
- SMT Pin: T1 Type, T2 Type
- Size: L1xL2
- Post: W=With Post N=W/O Post
- Material: A=PBT B=PA6T C=LCP
- Packing:
 - A=Tray T=Tube M=Reel+Mylar
 - P=Tube+Cap R=Reel+Cap

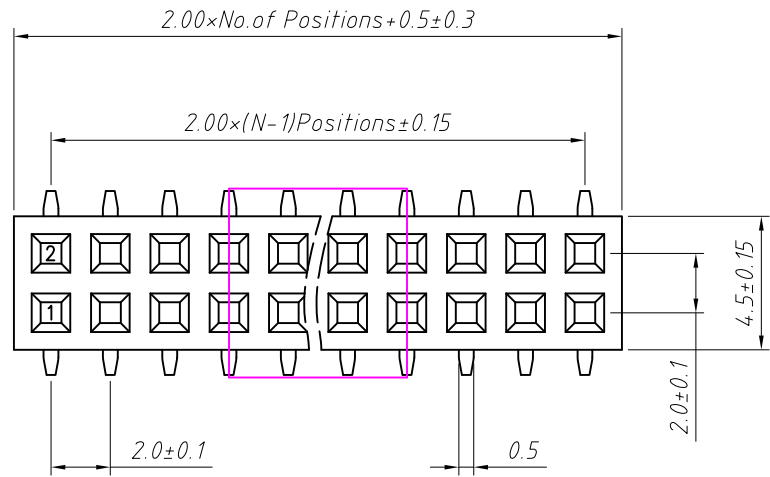
Dimension antitheses list (mm)			
ITEM	L1	L2	Plastic Height
Standard	4.60	4.50	4.30
Nonstandard	---	---	---

ANGLE TOLERANCE	PROJECTION	Description:	2.00mm Female Header Single layer, SMT Pin, 1xN Pin	
±3°				
GENERAL TOLERANCE	UNITS	mm	KLS P/N:	L-KLS1-208B-4.3-1-XX-T1-L1xL2-N-B-R
x.x ±0.30	SHEET SIZE	A4		
x.xx ±0.20	Draw:	Daniel	2018-07-10	
x.xxx ±0.10	Check:	Daniel	2018-07-10	

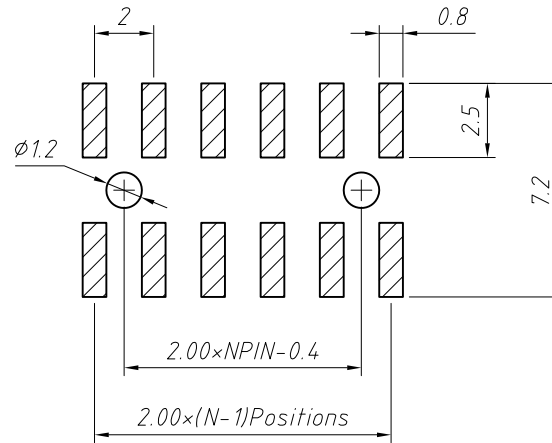


NingBo KLS ELECTRONIC CO.,L TD.

RoHS Compliance



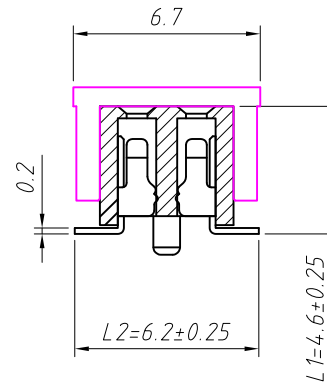
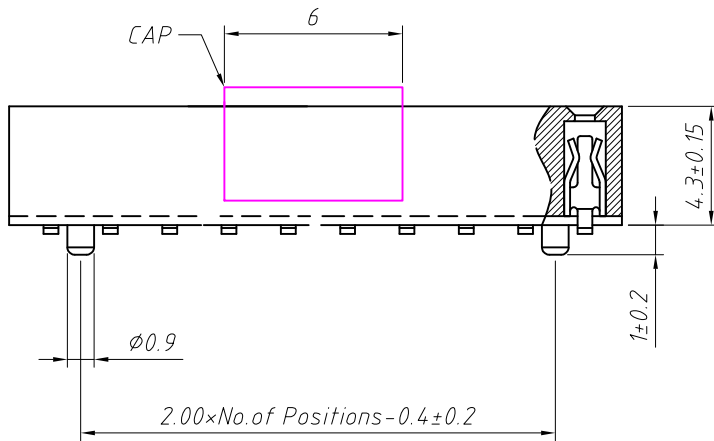
Recommended P.C.B Layout (Top Side)
(PCB BOARD TOLERANCE ± 0.05)



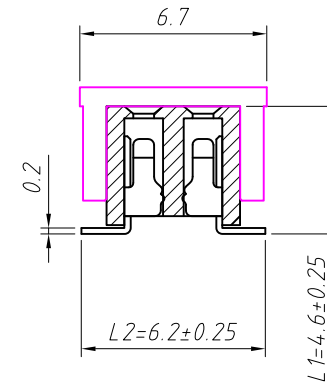
Material:
Standard: PA6T
Contact: Brass
Contact plating: Au or Sn over Ni
Nickel Insulator: Polyester, UL94V-0

Electrical Characteristics:
Rated Current: 1.5AMP
Contact Resistance: 20mΩ Max
Withstand Voltage: 500V AC/DC
Insulator Resistance: 1000MΩ Min

Mechanical
Operating Temperature: -40°C ~ +105°C
Max. Processing Temp: 230°C for 30-60 seconds (260°C for 10 seconds)



T3=With Post



T=Without Post

Order Information:

L-KLS1-208B-4.3-2-XX-T-L1xL2-B-R

L: RoHS
Pin Header Series-
208B: 2.00mm
Plastics Height: 4.3mm
Per Row: Double layer
Pin: No. of Pins (02~80)
SMT: T=Without Post, T3=With Post
Size: L1xL2
Material: A=PBT B=PA6T C=LCP
Packing:
A=Tray T=Tube M=Reel+Mylar
P=Tube+Cap R=Reel+Cap

Dimension antitheses list (mm)			
ITEM	L1	L2	Plastic Height
Standard	4.60	6.20	4.30
Nonstandard	---	---	---

ANGLE TOLERANCE	PROJECTION	Description:
±3°		2.00mm Female Header Double layer, SMT Pin, 2xN Pin
GENERAL TOLERANCE	UNITS	mm
x.x ±0.30	SHEET SIZE	A4
x.xx ±0.20	Draw:	Daniel 2018-07-10
x.xxx ±0.10	Check:	Daniel 2018-07-10



NingBo KLS ELECTRONIC CO.,L TD.