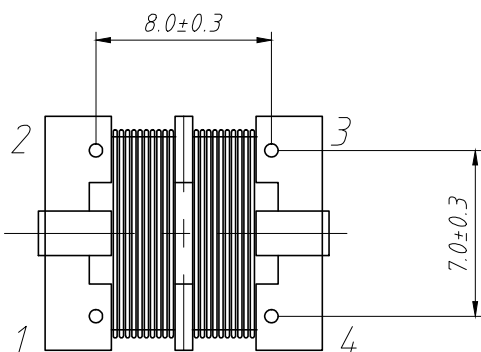
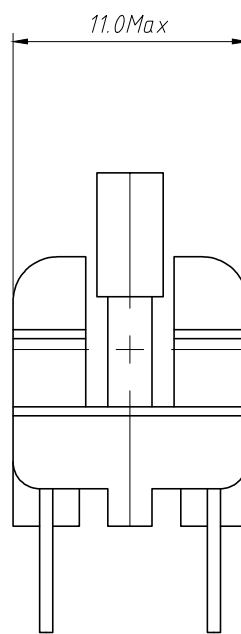
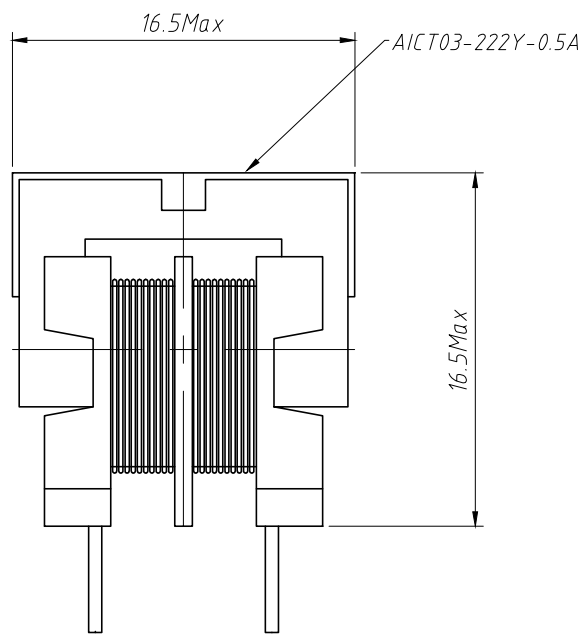
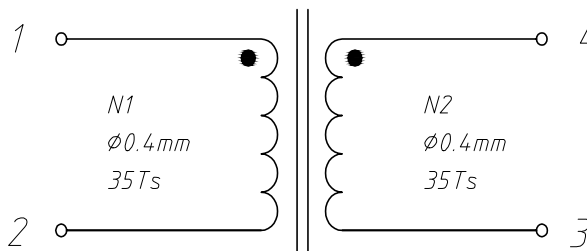


1. Physical Characteristics(mm)



2. Electrical Schematic



3. Electrical Specifications

L: 2.2mH Min@10KHz,0.25V  
 Lk:50uH Max@10KHz,0.25V  
 DCR: 0.7Ω Max  
 IDC: 0.5A Max(Temp.Rise 40°C Max)  
 Operating Temperature: -40°C To +105°C

Notes:  
 Solderability:Leads Shall Meet Mil-Std-202,  
 Method 208D For Solderability.  
 Flammability:UL 94V-0  
 ASTM oxygen Index:>28%  
 Test Instrument: L: Hp4284A  
 RDC:HM2540  
 Temp:20°C48%RH

ANGLE TOLERANCE	PROJECTION	Description:		
±3°		Common Mode Chokes		
GENERAL TOLERANCE	UNITS	mm	KLS P/N:	L-KLS18-UU9.8-222Y-0.5A
x.x ±0.30	SHEET SIZE	A4	XX	
x.xx ±0.20	Draw:	Daniel	2023-03-14	
x.xxx ±0.10	Check:	Daniel	2023-03-14	

