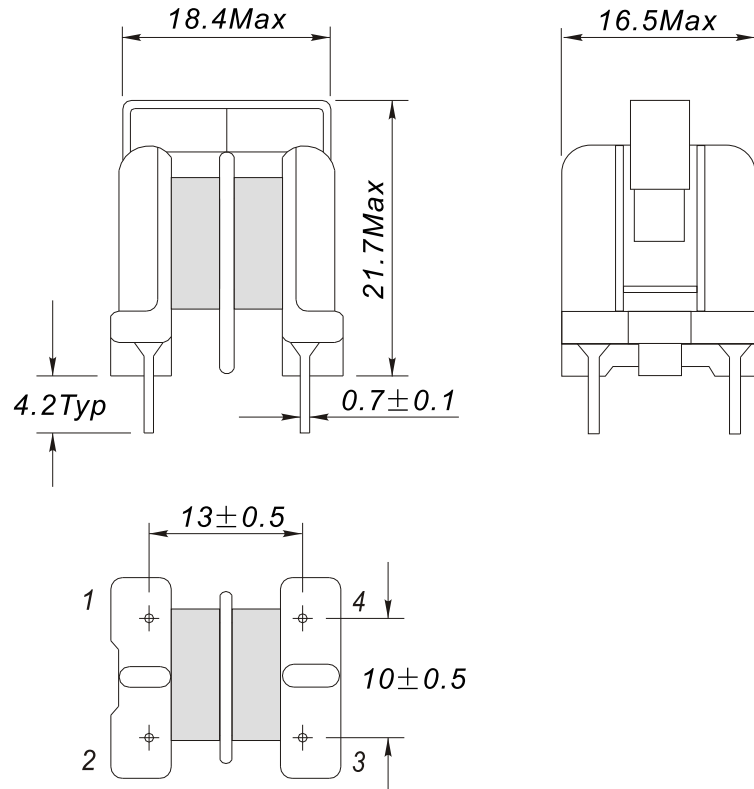
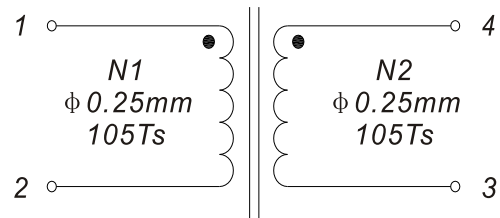


Rev.	Description	Date
A0	New release	2016.03.07

### 1. PHYSICAL CHARACTERISTICS (mm)



### 2. ELECTRONICAL SCHEMATIC



NOTES:  
Temp 20°C 48%RH  
RoHS Compliant

### 3. ELECTRONICAL SPECIFICATIONS

L: 33mH Min@1.0KHz, 0.1V

DCR: 2.0Ω Max

Rated current: 0.4A Max

Rated voltage: 250Vac

Operating temperature: -40°C to 80°C

Insulation resistance: 500Vdc, 100MΩ

Hi-Pot: 3750Vac N1 to N2

Test Instrument: L: HP4284A  
RDC: HM2540

#### Note:

1. Solderability: leads shall meet MIL-STD-202, Method 208D for solderability.
2. Flammability: UL94V-0
3. ASTM oxygen index: >28%

NAME:	Common mode chokes		
CUSTOMER P/N:		DATE:	2016-03-07
P/N:	L-KLS18-PMCU-0330-UU10.5	REV: A0	PAGE
DRAWN BY	CHECKED BY	APPROVE BY	



**NINGBO KLS ELECTRONIC CO.,LTD.**

# TEST REPORT

ITEM	L	DCR				
<i>Test Conditions</i>	<i>1.0KHz, 0.1V</i>					
<i>SPEC</i>	<i>L1-2</i>	<i>L1-2</i>				
	<i>33mH Min</i>	<i>2.0Ω Max</i>				
1	43	1.1				
2	41	1.1				
3	46	1.1				
4	44	1.1				
5	42	1.1				

<i>Test Apparatus</i>	<i>L: HP4284A    RDC:HM2540</i> <i>Idc: WK3260B+3265B</i>	<i>Test Condition</i>	<i>TEMP 20°C</i> <i>48% RH</i>
-----------------------	--	-----------------------	-----------------------------------

	<i>NAME:</i>	<i>Common mode chokes</i>		
	<i>CUSTOMER P/N:</i>		<i>DATE:</i>	2016-03-07
	<i>P/N:</i>	<i>L-KLS18-PMCU-0330-UU10.5</i>	<i>REV: A0</i>	<i>PAGE</i>



**NINGBO KLS ELECTRONIC CO.,LTD.**

<i>DRAWN BY</i>	<i>CHECKED BY</i>	<i>APPROVE BY</i>
-----------------	-------------------	-------------------