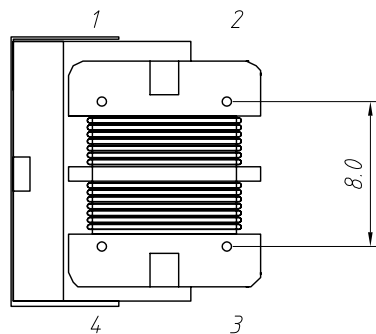
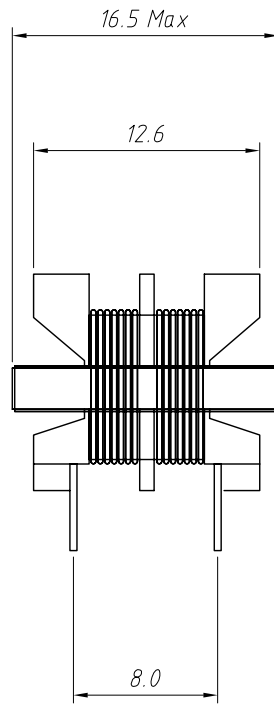
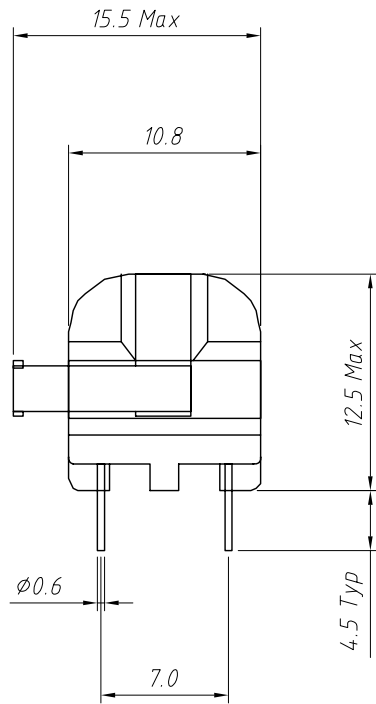
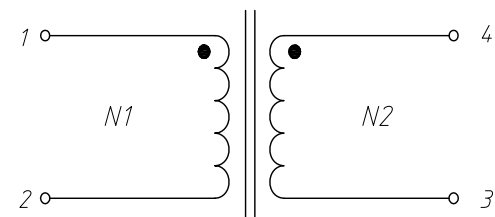


1. Mechanical Dimension:



2. Electronical Schematic:



3. Electronical Specifications:

- L: 1.0mH+50%/-30%@100KHz,0.25V
- LK: 14uH Typ.@100KHz,0.25V
- DCR: 160mΩ Max
- IDC: 1.6A Max
- Rated Voltage: 300VAC
- Hi-Pot: 2.0KVac,1min,N1 to N2

Test Instrument:

- L: HP4284A
- RDC: HM2540

Note:

1. Solderability: leads shall meet MIL-STD-202,Method 208D for Solderability.
2. Flammability: UL 94V-0
3. ASTM oxygen index: >28%

ANGLE TOLERANCE	PROJECTION	Description:	Common Mode Inductor	
±3°				
GENERAL TOLERANCE	UNITS	mm	KLS P/N:	L-KLS18-AICT04-102Y-1.6A
x.x ±0.30	SHEET SIZE	A4		
x.xx ±0.20	Draw:	Daniel	2020-11-11	
x.xxx ±0.10	Check:	Daniel	2020-11-11	