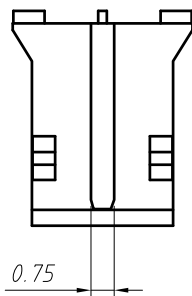
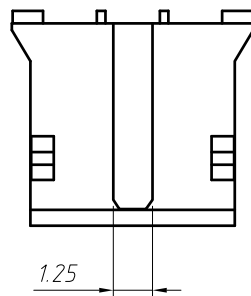


4~NP



2P



3P

Circuit	Dimensions(mm)	
	A	B
02	2.00	5.75
03	4.00	7.75
04	6.00	9.75
05	8.00	11.75
06	10.00	13.75
07	12.00	15.75
08	14.00	17.75
09	16.00	19.75
10	18.00	21.75
11	20.00	23.75
12	22.00	25.75
13	24.00	27.75
14	26.00	29.75
15	28.00	31.75
16	30.00	33.75

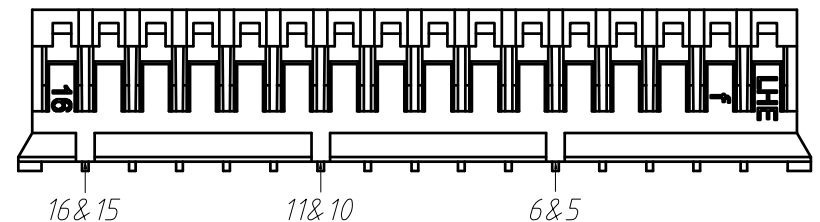
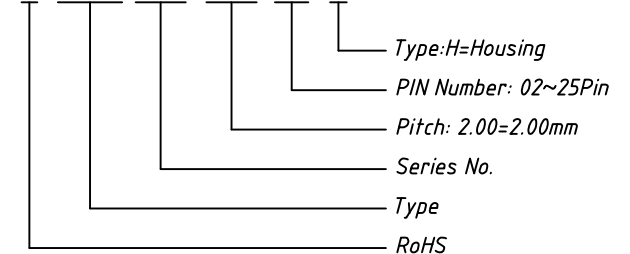
Material:
Housing:PA66(UL 94 V-0),White

Electrical Characteristics:

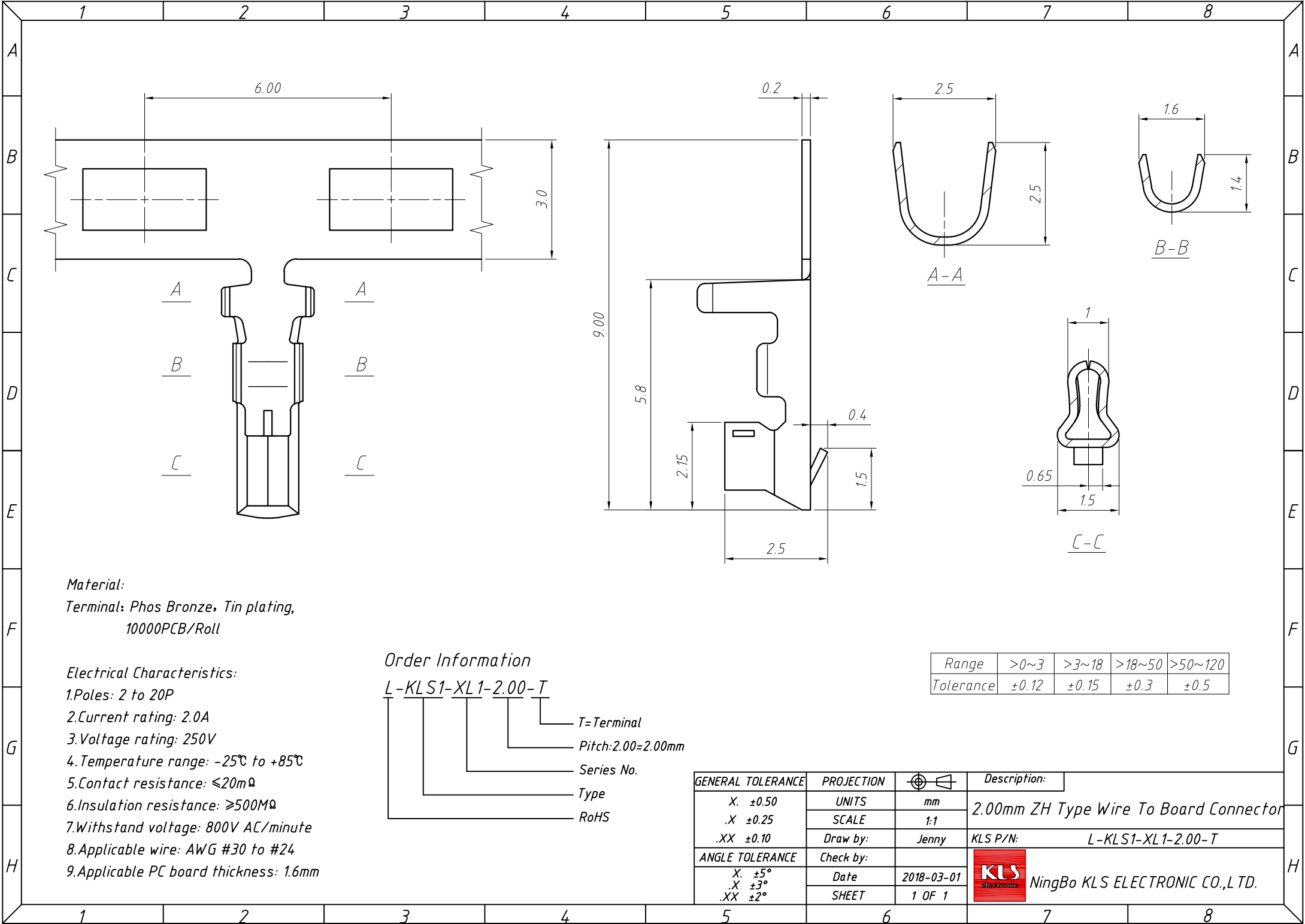
- 1.Poles: 2 to 20P
- 2.Current rating: 2.0A
- 3.Voltage rating: 100V
- 4.Temperature range: -25°C to +85°C
- 5.Contact resistance: $\leq 10m\Omega$
- 6.Insulation resistance: $\geq 1000M\Omega$
- 7.Withstand voltage: 800V AC/minute
- 8.Applicable wire: AWG #30 to #24
- 9.Applicable PC board thickness: 0.8~.6mm

Order Information

L-KLS1-XL1-2.00-XX-H



GENERAL TOLERANCE	PROJECTION		Description:
X. ± 0.50	UNITS	mm	2.00mm ZH Type Wire To Board Connector
.X ± 0.25	SCALE	1:1	
.XX ± 0.10	Draw by:	Jenny	
ANGLE TOLERANCE	Check by:		KLS P/N: L-KLS1-XL1-2.00-XX-H
X. $\pm 5^\circ$	Date	2018-03-01	NingBo KLS ELECTRONIC CO.,L TD.
.X $\pm 3^\circ$	SHEET	1 OF 1	
.XX $\pm 2^\circ$			



Material:

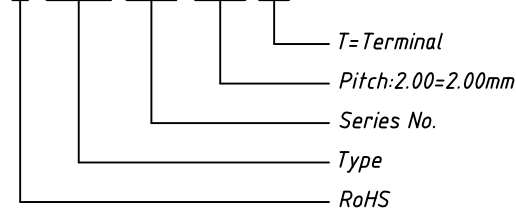
Terminal: Phos Bronze, Tin plating,
10000PCB/Roll

Electrical Characteristics:

- 1.Poles: 2 to 20P
- 2.Current rating: 2.0A
- 3.Voltage rating: 250V
- 4.Temperature range: -25°C to +85°C
- 5.Contact resistance: $\leq 20m\Omega$
- 6.Insulation resistance: $\geq 500M\Omega$
- 7.Withstand voltage: 800V AC/minute
- 8.Applicable wire: AWG #30 to #24
- 9.Applicable PC board thickness: 1.6mm

Order Information

L-KLS1-XL1-2.00-T

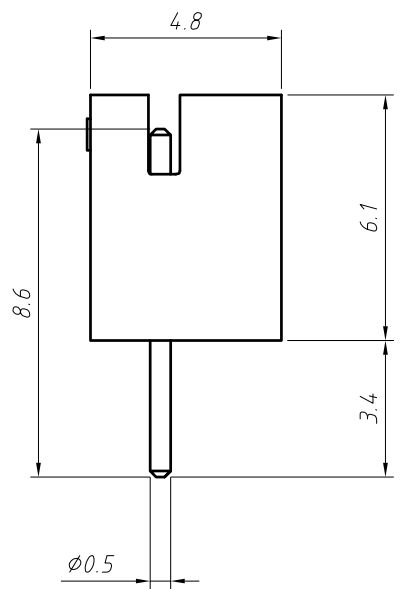
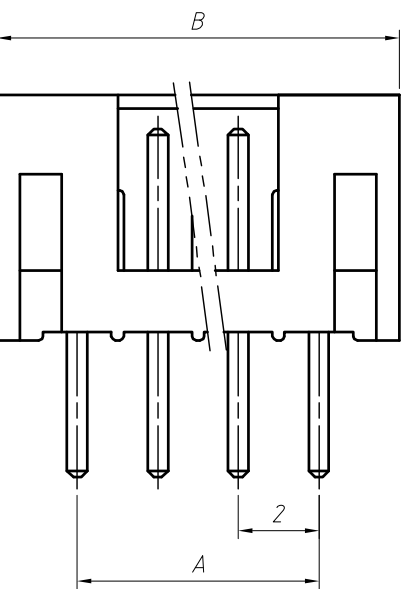


Range	>0~3	>3~18	>18~50	>50~120
Tolerance	± 0.12	± 0.15	± 0.3	± 0.5

GENERAL TOLERANCE	PROJECTION		Description:
X. ± 0.50	UNITS	mm	2.00mm ZH Type Wire To Board Connector
.X ± 0.25	SCALE	1:1	
.XX ± 0.10	Draw by:	Jenny	
ANGLE TOLERANCE	Check by:		KLS P/N: L-KLS1-XL1-2.00-T
X. $\pm 5^\circ$	Date	2018-03-01	NingBo KLS ELECTRONIC CO.,L TD.
.X $\pm 3^\circ$	SHEET	1 OF 1	
.XX $\pm 2^\circ$			

1 2 3 4 5 6 7 8

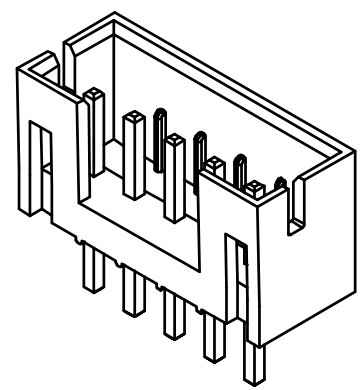
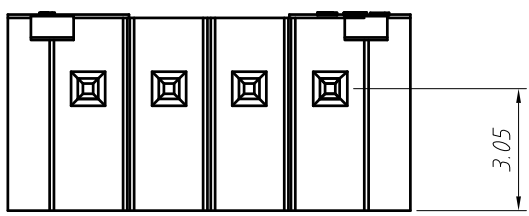
A
B
C
D
E
F
G
H



Circuit	Dimensions(mm)	
	A	B
02	2.00	6.00
03	4.00	8.00
04	6.00	10.00
05	8.00	12.00
06	10.00	14.00
07	12.00	16.00
08	14.00	18.00
09	16.00	20.00
10	18.00	22.00
11	20.00	24.00
12	22.00	26.00
13	24.00	28.00
14	26.00	30.00
15	28.00	32.00
16	30.00	34.00
17	32.00	36.00
18	34.00	38.00
19	36.00	40.00
20	38.00	42.00

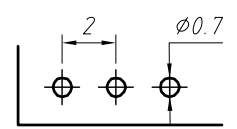
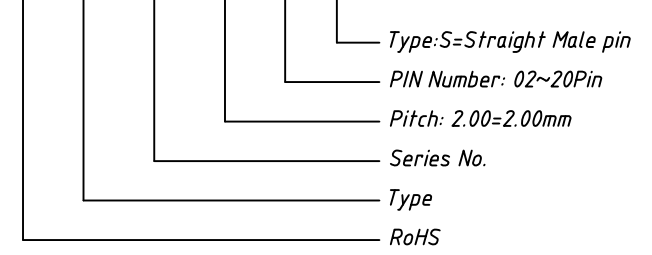
Material:
Housing:PA66(UL 94 V-0),White
Contacts:Brass Tin

- Electrical Characteristics:
- 1.Poles: 2 to 20P
 - 2.Current rating: 2.0A
 - 3.Voltage rating: 100V
 - 4.Temperature range: -25°C to +85°C
 - 5.Contact resistance: $\leq 10m\Omega$
 - 6.Insulation resistance: $\geq 1000M\Omega$
 - 7.Withstand voltage: 800V AC/minute
 - 8.Applicable wire: AWG #30 to #24
 - 9.Applicable PC board thickness: 0.8~1.6mm



Order Information

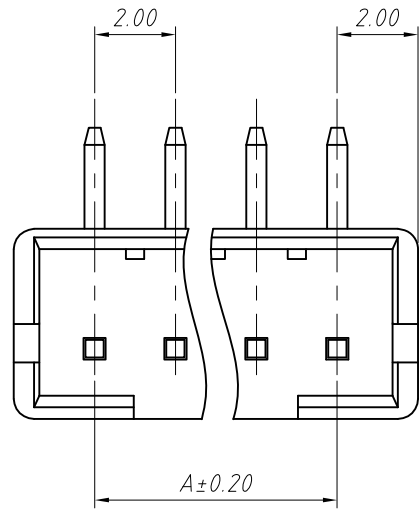
L-KLS1-XL1-2.00-XX-S



PCB LAYOUT

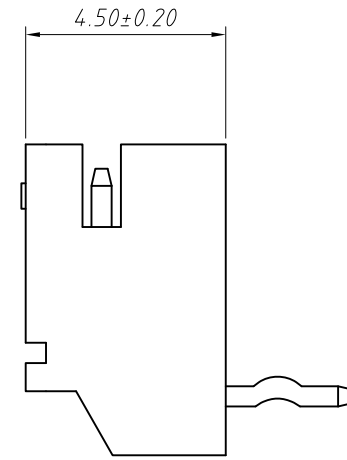
GENERAL TOLERANCE	PROJECTION		Description:
X. ± 0.50	UNITS	mm	2.00mm ZH Type Wire To Board Connector
.X ± 0.25	SCALE	1:1	
.XX ± 0.10	Draw by:	Jenny	
ANGLE TOLERANCE	Check by:		KLS P/N: L-KLS1-XL1-2.00-XX-S
X. $\pm 5^\circ$	Date	2018-03-01	NingBo KLS ELECTRONIC CO.,L TD.
.X $\pm 3^\circ$	SHEET	1 OF 1	
.XX $\pm 2^\circ$			

1 2 3 4 5 6 7 8

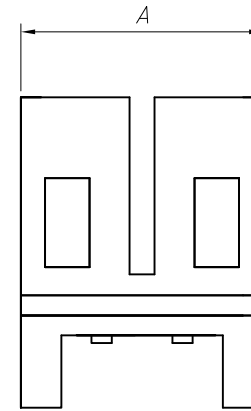
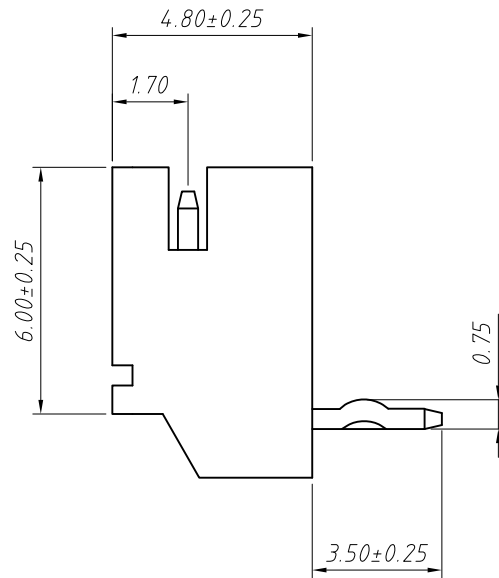
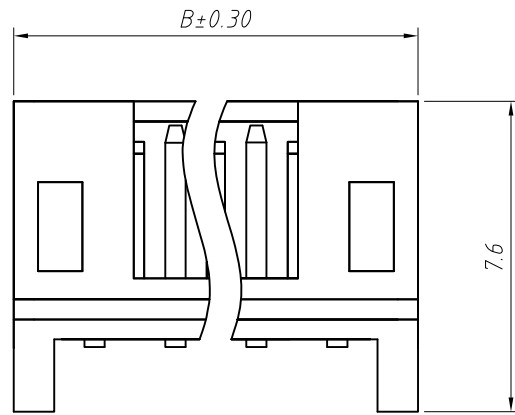


Material:
 Housing: PA66, UL94V-0
 Contacts: Brass, Tin plated over Nickel

- Electrical Characteristics:**
1. Poles: 2 to 16P
 2. Current rating: 2.0A
 3. Voltage rating: 100V
 4. Temperature range: -25°C to +85°C
 5. Contact resistance: 20mΩ Max.
 6. Insulation resistance: 1000MΩ Min.
 7. Withstand voltage: 800V AC/minute



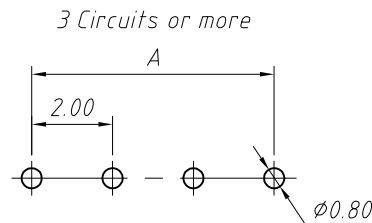
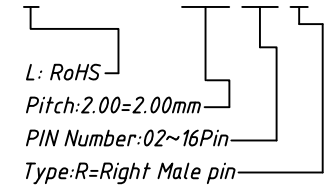
Circuit	Dimensions (mm)	
	A	B
02	2.00	6.00
03	4.00	8.00
04	6.00	10.00
05	8.00	12.00
06	10.00	14.00
07	12.00	16.00
08	14.00	18.00
09	16.00	20.00
10	18.00	22.00
11	20.00	24.00
12	22.00	26.00
13	24.00	28.00
14	26.00	30.00
15	28.00	32.00
16	30.00	34.00



2 Circuits

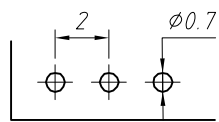
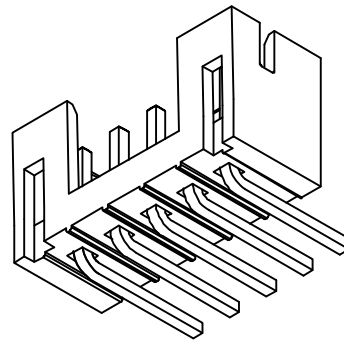
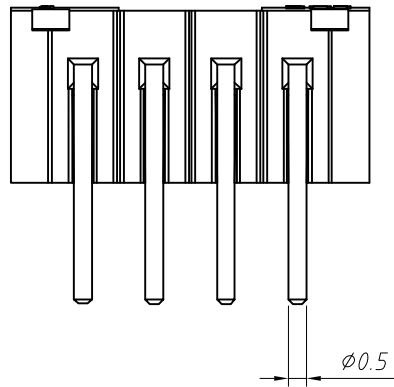
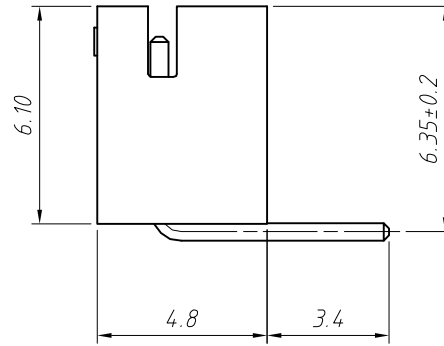
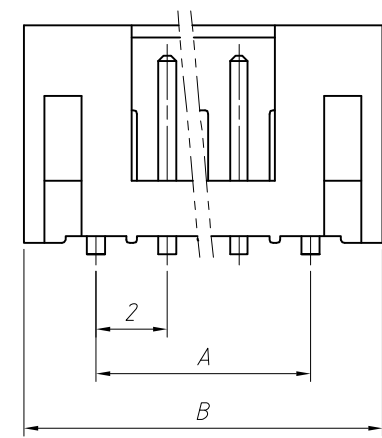
Order Information

L-KLS1-XL1-2.00-XX-R



PCB LAYOUT

GENERAL TOLERANCE	PROJECTION		Description:
X. ±0.50	UNITS	mm	2.00mm ZH Type Wire To Board Connector
.X ±0.25	SCALE	1:1	
.XX ±0.10	Draw by:	Jenny	
ANGLE TOLERANCE	Check by:		KLS P/N: L-KLS1-XL1-2.00-XX-R
X. ±5°	Date	2018-03-01	NingBo KLS ELECTRONIC CO.,L TD.
.X ±3°	SHEET	1 OF 1	
.XX ±2°			



PCB LAYOUT

Circuit	Dimensions(mm)	
	A	B
02	2.00	6.00
03	4.00	8.00
04	6.00	10.00
05	8.00	12.00
06	10.00	14.00
07	12.00	16.00
08	14.00	18.00
09	16.00	20.00
10	18.00	22.00
11	20.00	24.00
12	22.00	26.00
13	24.00	28.00
14	26.00	30.00
15	28.00	32.00
16	30.00	34.00
17	32.00	36.00
18	34.00	38.00
19	36.00	40.00
20	38.00	42.00

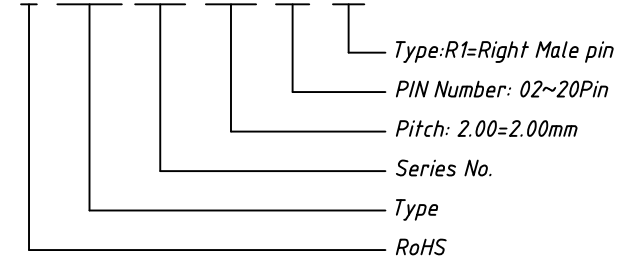
Material:
Housing:PA66(UL 94V-0),White
Contacts:Brass Tin

Electrical Characteristics:

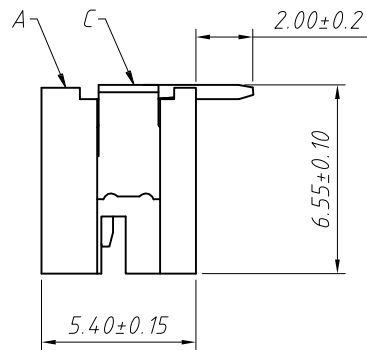
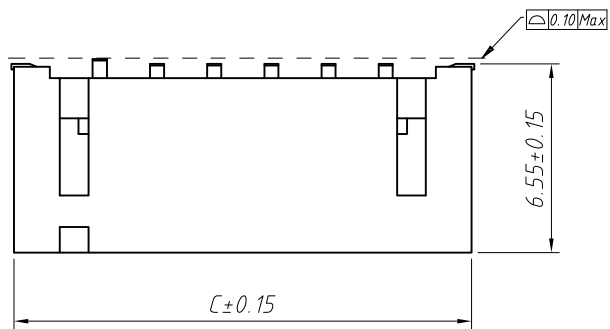
- 1.Poles: 2 to 20P
- 2.Current rating: 2.0A
- 3.Voltage rating: 100V
- 4.Temperature range: -25℃ to +85℃
- 5.Contact resistance: $\leq 10m\Omega$
- 6.Insulation resistance: $\geq 1000M\Omega$
- 7.Withstand voltage: 800V AC/minute
- 8.Applicable wire: AWG #30 to #24
- 9.Applicable PC board thickness: 0.8~.6mm

Order Information

L-KLS1-XL1-2.00-XX-R1

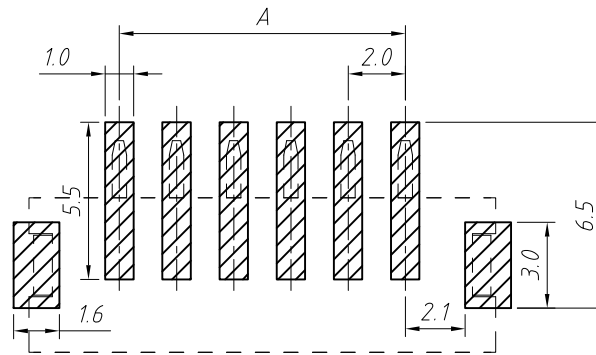
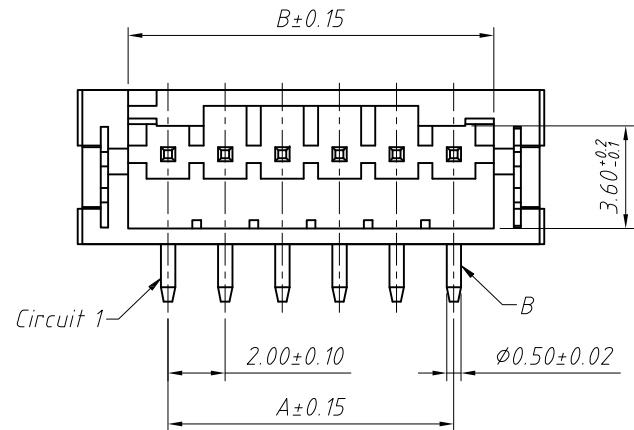


GENERAL TOLERANCE	PROJECTION		Description:
X. ± 0.50	UNITS	mm	2.00mm ZH Type Wire To Board Connector
.X ± 0.25	SCALE	1:1	
.XX ± 0.10	Draw by:	Jenny	
ANGLE TOLERANCE	Check by:		KLS P/N: L-KLS1-XL1-2.00-XX-R1
X. $\pm 5^\circ$	Date	2018-03-01	NingBo KLS ELECTRONIC CO.,L TD.
.X $\pm 3^\circ$	SHEET	1 OF 1	
.XX $\pm 2^\circ$			



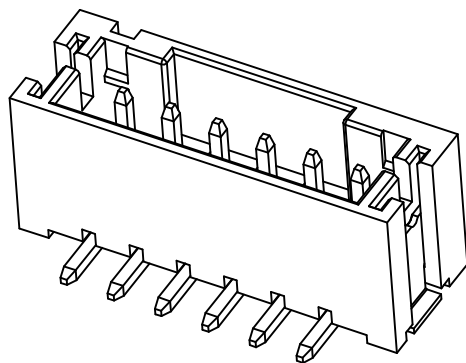
Material:
 Insulator: LCP UL 94 V-0, Beige
 Contacts: Brass, Tin Plated
 Solder Tab: Phosphor Bronze, Tin Plated

Electrical Specification:
 Poles: 02 to 16
 Contact resistance: $\leq 20m\Omega$
 Insulation resistance: $\geq 1000M\Omega$
 Rated voltage: 250V AC DC
 Rated current: 2.0A AC DC
 Withstand Voltage: 1000V AC/minute
 Temperature Range: $-25^{\circ}C \sim +105^{\circ}C$

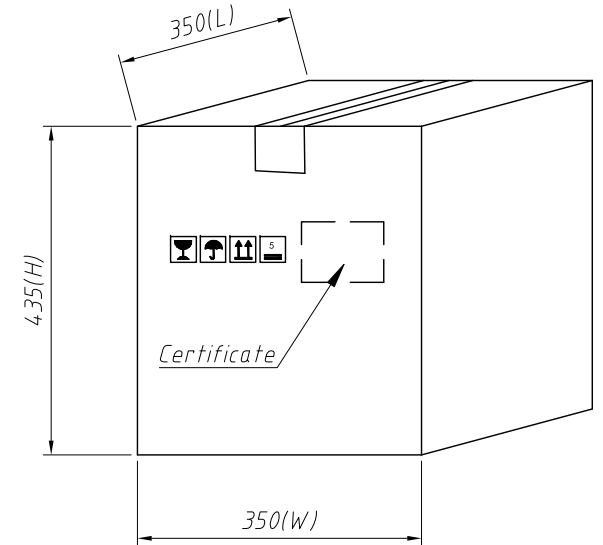
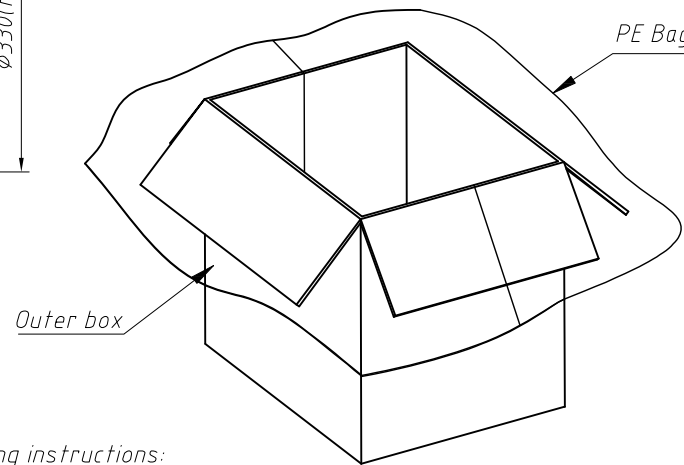
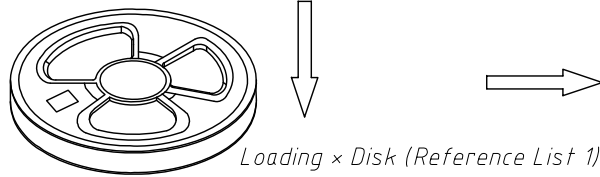
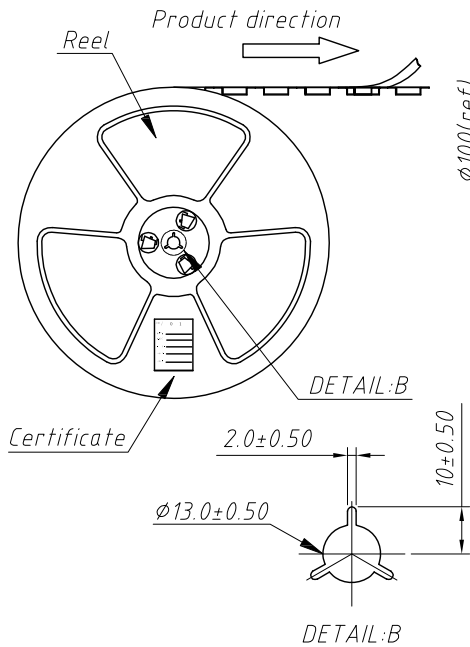
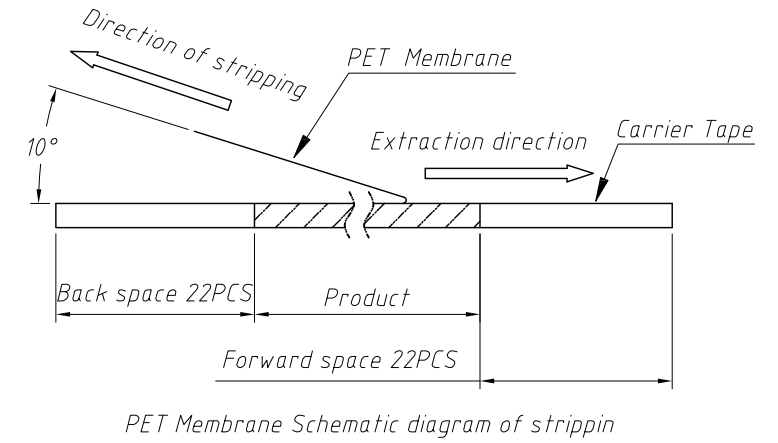
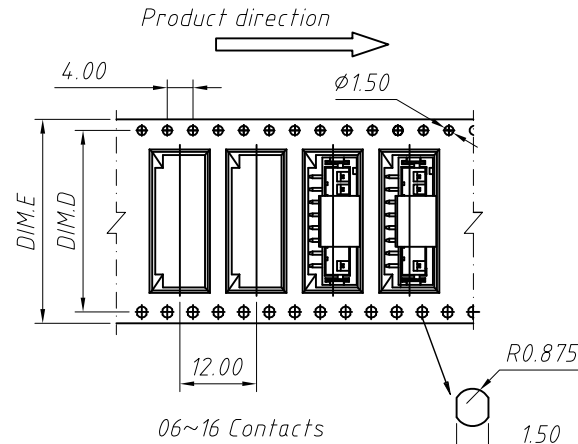
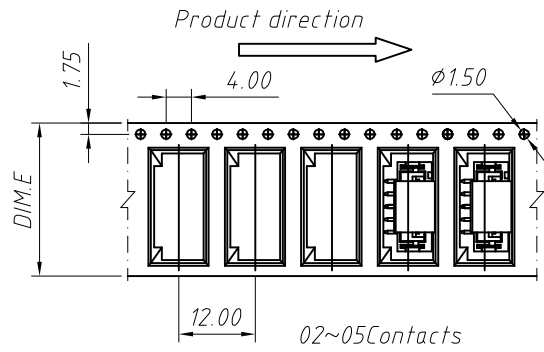


Suggested PCB Layout

Circuit	Dimensions(mm)		
	A	B	C
02	2.00	4.80	8.00
03	4.00	6.80	10.00
04	6.00	8.80	12.00
05	8.00	10.80	14.00
06	10.00	12.80	16.00
07	12.00	14.80	18.00
08	14.00	16.80	20.00
09	16.00	18.80	22.00
10	18.00	20.80	24.00
11	20.00	22.80	26.00
12	22.00	24.80	28.00
13	24.00	26.80	30.00
14	26.00	28.80	32.00
15	28.00	30.80	34.00
16	30.00	32.80	36.00



GENERAL TOLERANCE	PROJECTION		Description:
X. ±0.30	UNITS	mm	Ptich 2.00mm Vertical SMT Wafer
.X ±0.20	SCALE	1:1	
.XX ±0.10	Draw by:	Jenny	KLS P/N: L-KLS1-XL1-2.00-XX-VM
ANGLE TOLERANCE	Check by:		NingBo KLS ELECTRONIC CO.,L TD.
X. ±5°	Date	2018-03-01	
.X ±3°	SHEET	1 OF 1	
.XX ±2°			



Packaging instructions:

Pack the finished products into reels, each with 700 PCS.

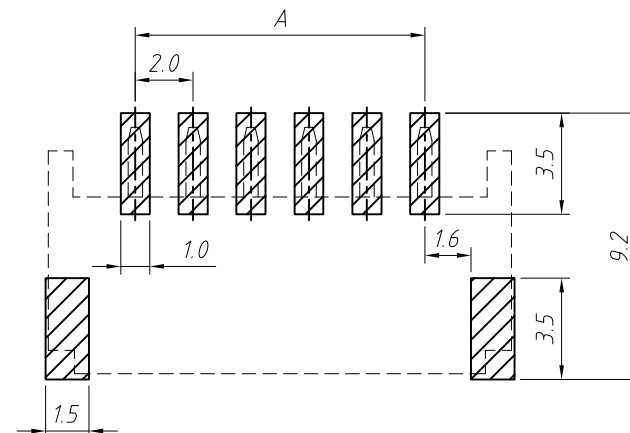
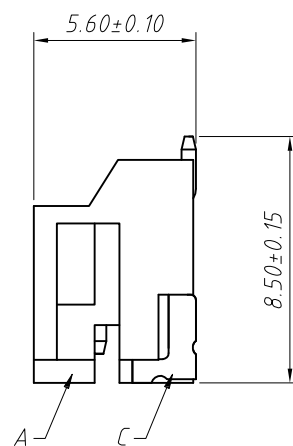
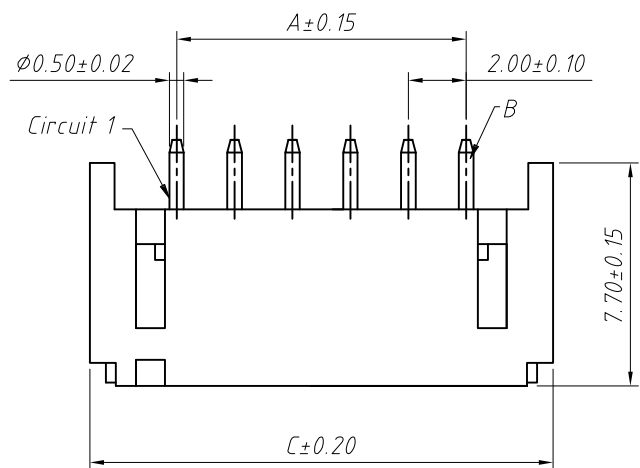
The product will be packed by pasting a certificate on the reel.

The reel is put into the outer box, and the outer box is fitted with one first.

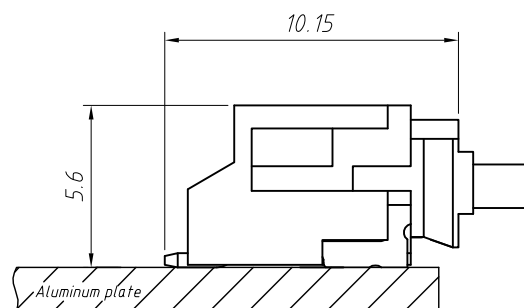
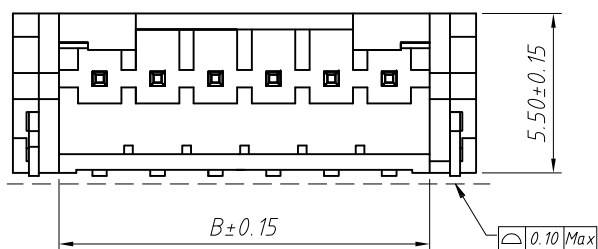
Large PE bags with qualified certificates affixed on the outer case.

Circuits	DIM.D	DIM.E	Q'ty/Reel	Packing Reel/Carton
02 PIN	--	16	700 PCS	20/Reel
03-05 PIN	--	24	700 PCS	15/Reel
06-08 PIN	28.4	32	700 PCS	11/Reel
09-14 PIN	40.4	44	700 PCS	8/Reel
15 PIN	52.4	56	700 PCS	6/Reel

GENERAL TOLERANCE	PROJECTION		Description:
.X ±0.30	UNITS	mm	Packaging Specification PITCH 2.00mm Vertical SMT
.X ±0.20	SCALE	1:1	
.XX ±0.10	Draw by:	Jenny	KLS P/N: L-KLS1-XL1-2.00-XX-VM
ANGLE TOLERANCE	Check by:		NingBo KLS ELECTRONIC CO.,L TD.
.X ±5°	Date	2018-03-01	
.X ±3° .XX ±2°	SHEET	1 OF 1	



Suggested PCB Layout



Assembly Layout

Circuit	Dimensions(mm)		
	A	B	C
02	2.00	4.75	8.00
03	4.00	6.75	10.00
04	6.00	8.75	12.00
05	8.00	10.75	14.00
06	10.00	12.75	16.00
07	12.00	14.75	18.00
08	14.00	16.75	20.00
09	16.00	18.75	22.00
10	18.00	20.75	24.00
11	20.00	22.75	26.00
12	22.00	24.75	28.00
13	24.00	26.75	30.00
14	26.00	28.75	32.00
15	28.00	30.75	34.00
16	30.00	32.70	36.00

Material:

Insulator:LCP UL94V-0,Beige

Contacts:Brass,Tin Plated

Solder Tab:Brass,Tin Plated

Electrical Specification:

Poles: 02 to 16

Contact resistance:≤20mΩ

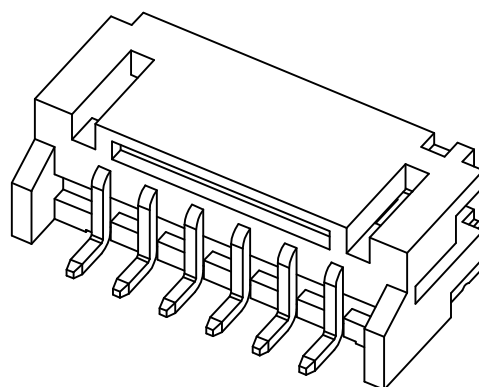
Insulation resistance:≥1000MΩ

Rated voltage:250V AC DC

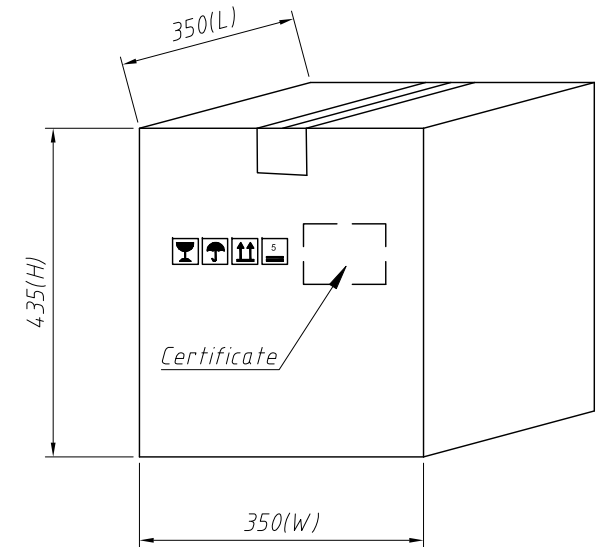
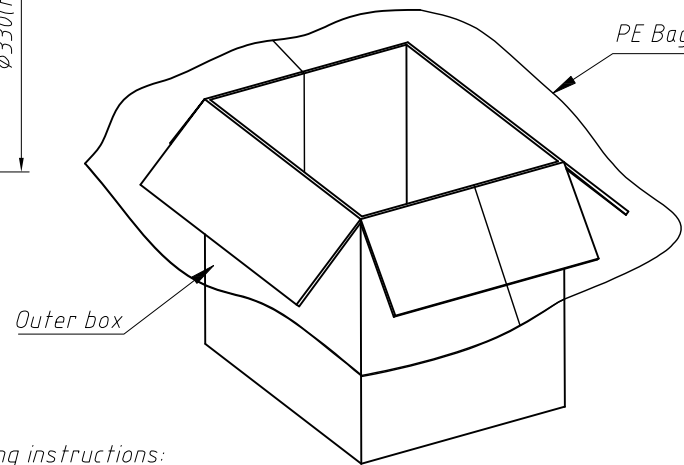
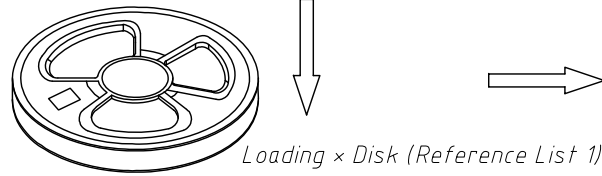
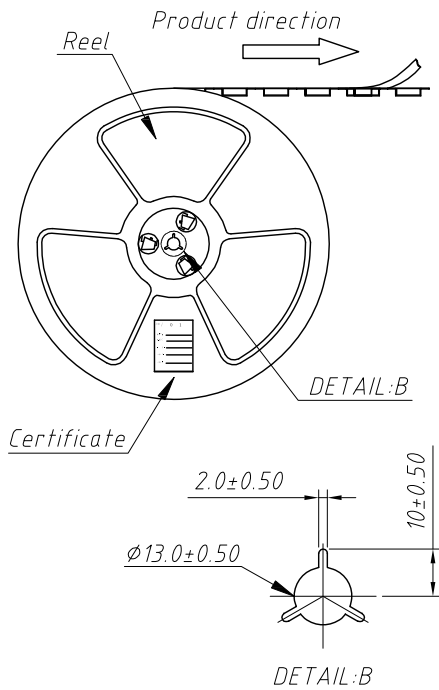
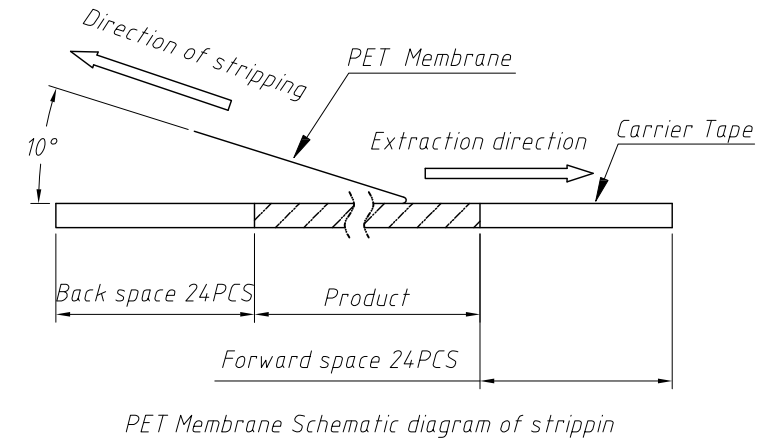
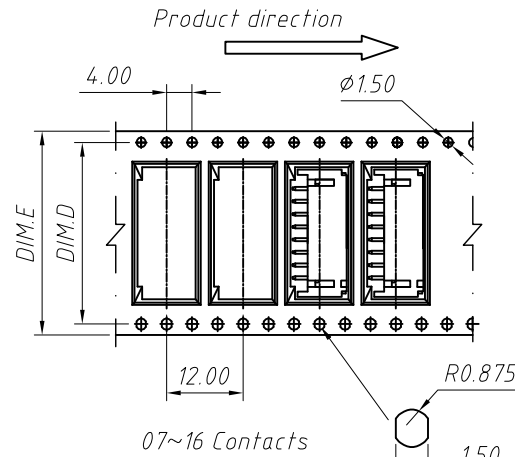
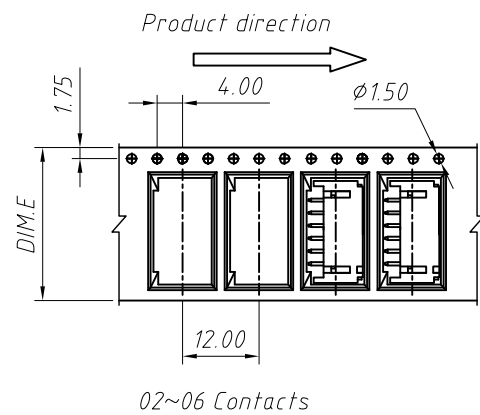
Rated current:2.0A AC DC

Withstand Voltage:1000V AC/minute

Temperature Range:-25℃~ +105℃



GENERAL TOLERANCE	PROJECTION		Description:
X. ±0.30	UNITS	mm	Ptich 2.00mm Horizontal SMT Wafer
.X ±0.20	SCALE	1:1	
.XX ±0.10	Draw by:	Jenny	
ANGLE TOLERANCE	Check by:		KLS P/N: L-KLS1-XL1-2.00-XX-RM
X. ±5°	Date	2018-03-01	NingBo KLS ELECTRONIC CO.,L TD.
.X ±3°	SHEET	1 OF 1	
.XX ±2°			



Packaging instructions:

Pack the finished products into reels, each with 1000 PCS.

The product will be packed by pasting a certificate on the reel.

The reel is put into the outer box, and the outer box is fitted with one first.

Large PE bags with qualified certificates affixed on the outer case.

Circuits	DIM.D	DIM.E	Q'ty/Reel	Packing Reel/Carton
02-03 PIN	--	16	1000 PCS	20/Reel
04-06 PIN	--	24	1000 PCS	15/Reel
07-08 PIN	28.4	32	1000 PCS	11/Reel
09-14 PIN	40.4	44	1000 PCS	8/Reel
15-16 PIN	52.4	56	1000 PCS	6/Reel

GENERAL TOLERANCE	PROJECTION		Description:
.X ± 0.30	UNITS	mm	Packaging Specification P tch 2.00mm Horizontal SMT
.X ± 0.20	SCALE	1:1	
.XX ± 0.10	Draw by:	Jenny	
ANGLE TOLERANCE	Check by:		KLS P/N: L-KLS1-XL1-2.00-XX-RM
.X $\pm 5^\circ$	Date	2018-03-01	NingBo KLS ELECTRONIC CO.,L TD.
.X $\pm 3^\circ$	SHEET	1 OF 1	
.XX $\pm 2^\circ$			