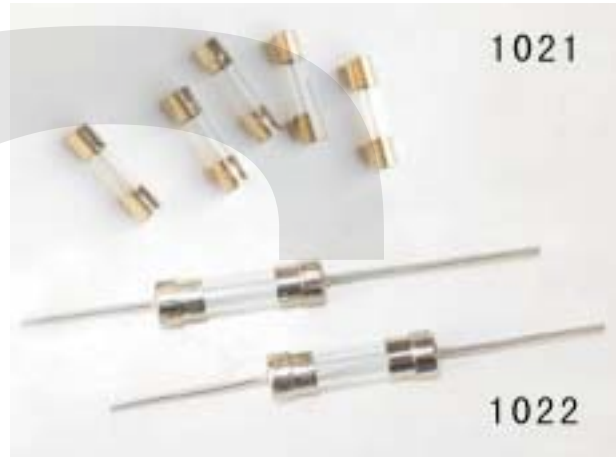
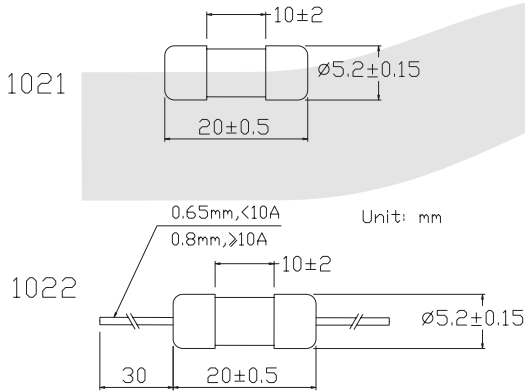


FUSE AND FUSE HOLDER

Φ5.2x20 Glass Tube Fuse Series

KLS5-1021/1022 Inner weld Φ5.2x20 Glass Tube Fuse (Fast Blow) Series

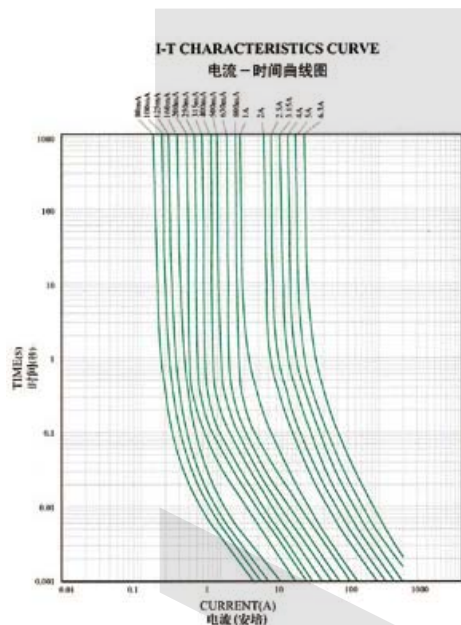


ELECTRICAL CHARACTERISTICS

RATING		$\geq 32mA - 100mA$	$> 100mA - 6.3A$
2.1In	Max	30 min	30 min
	Min	10 ms	50 ms
2.75In	Max	500 ms	2 s
	Min	3 ms	10 ms
4In	Max	100 ms	300 ms
	Min	20 ms	20 ms

Part No.	Rated Current	Mv Voltage Drop	Rated Voltage
1022-0100	100mA	3500	125V/250V
1022-0125	125mA	2100	125V/250V
1022-0150	150mA	2100	125V/250V
1022-0160	160mA	2000	125V/250V
1022-0200	200mA	1700	125V/250V
1022-0250	250mA	1400	125V/250V
1022-0300	300mA	1300	125V/250V
1022-0315	315mA	1300	125V/250V
1022-0350	350mA	1300	125V/250V
1022-0400	400mA	1200	125V/250V
1022-0500	500mA	1000	125V/250V
1022-0600	600mA	650	125V/250V
1022-0700	700mA	650	125V/250V
1022-0750	750mA	600	125V/250V
1022-0800	800mA	240	125V/250V
1022-1000	1A	200	125V/250V
1022-1200	1.2A	200	125V/250V
1022-1250	1.25A	200	125V/250V
1022-1500	1.5A	200	125V/250V
1022-1600	1.6A	190	125V/250V
1022-1800	1.8A	190	125V/250V
1022-2000	2A	170	125V/250V
1022-2500	2.5A	170	125V/250V
1022-3000	3A	150	125V/250V
1022-3150	3.15A	150	125V/250V
1022-3500	3.5A	150	125V/250V
1022-4000	4A	130	125V/250V
1022-5000	5A	130	125V/250V
1022-6000	6A	130	125V/250V
1022-6300	6.3A	130	125V/250V
1022-7000	7A	120	125V/250V
1022-8000	8A	100	125V/250V
1022-10000	10A	100	125V/250V
1022-12000	12A	100	125V/250V
1022-15000	15A	100	125V/250V

Part No.	Rated Current	Mv Voltage Drop	Rated Voltage
1021-0100	100mA	3500	125V/250V
1021-0125	125mA	2100	125V/250V
1021-0150	150mA	2100	125V/250V
1021-0160	160mA	2000	125V/250V
1021-0200	200mA	1700	125V/250V
1021-0250	250mA	1400	125V/250V
1021-0300	300mA	1300	125V/250V
1021-0315	315mA	1300	125V/250V
1021-0350	350mA	1300	125V/250V
1021-0400	400mA	1200	125V/250V
1021-0500	500mA	1000	125V/250V
1021-0600	600mA	650	125V/250V
1021-0700	700mA	650	125V/250V
1021-0750	750mA	600	125V/250V
1021-0800	800mA	240	125V/250V
1021-1000	1A	200	125V/250V
1021-1200	1.2A	200	125V/250V
1021-1250	1.25A	200	125V/250V
1021-1500	1.5A	200	125V/250V
1021-1600	1.6A	190	125V/250V
1021-1800	1.8A	190	125V/250V
1021-2000	2A	170	125V/250V
1021-2500	2.5A	170	125V/250V
1021-3000	3A	150	125V/250V
1021-3150	3.15A	150	125V/250V
1021-3500	3.5A	150	125V/250V
1021-4000	4A	130	125V/250V
1021-5000	5A	130	125V/250V
1021-6000	6A	130	125V/250V
1021-6300	6.3A	130	125V/250V
1021-7000	7A	120	125V/250V
1021-8000	8A	100	125V/250V
1021-10000	10A	100	125V/250V
1021-12000	12A	100	125V/250V
1021-15000	15A	100	125V/250V



ORDER INFORMATION

Product NO.: KLS5-1021-XXXX

Rated Current
Lead Type: 1021=No Lead 1022=With Lead
Part Number