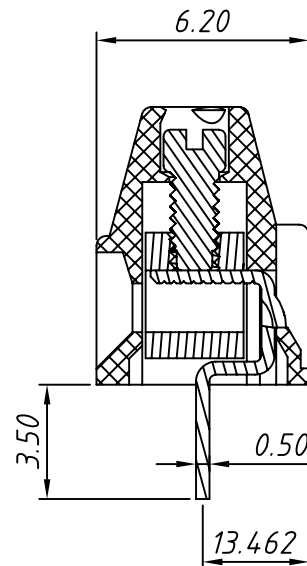
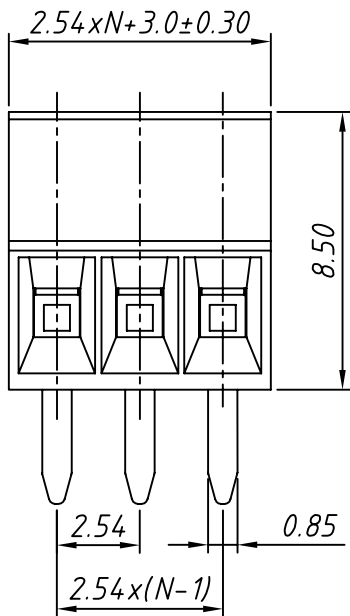


PCB LAYOUT



SECTION

Material

Screw: M1.5, steel, Zn plated

Cage: Brass, Nickel plated

Pin header: Brass, Tin plated

Housing: PA66, UL94V-0, Green

Electrical

Rated voltage: 125V

Rated current: 6A

Wire range: 28~18AWG 1.0mm²

Contact Resistance: 20 mΩ

Insulation resistance: 500MΩ/DC500V

Withstand voltage: AC1250V / 1 min

Mechanical

Temp. Range: -40 °C ~ +105 °C

Soldering: 250 °C 5Sec. Max.

Torque: 0.45 Nm (1.3Lb.) in

Strip length: 3.7~4.7 mm

Order Information

L-KLS2-308V-2.54-XXP-4 S XX

RoHS

Terminal Block

Pitch

No.: of Pole

Color: 4- Green

Screw: S- Slot Screw

Code:Product Code:00~99

GENERAL TOLERANCE		ANGLE TOLERANCE		PROJECTION	Description:
.X	±0.60	.X	±5°	UNITS	Screw CONN TERM BLOCK 2.54MM KLS2-308V-2.54-XXP-4S
.X	±0.38	.X	±3°	SHEET SIZE	
.XX	±0.25	.XX	±2°	KLS P/N:	

Draw by: Date	2015-09-01
Check by: Date	2015-09-15
SCALE	SHEET OF

KLS ELECTRONIC CO., LTD.