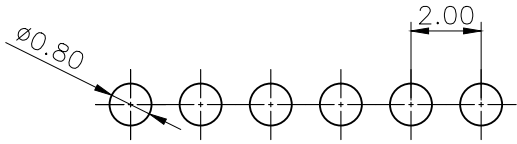


1 2 3 4 5 6 7 8 9

A

A



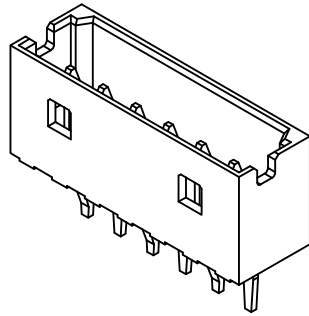
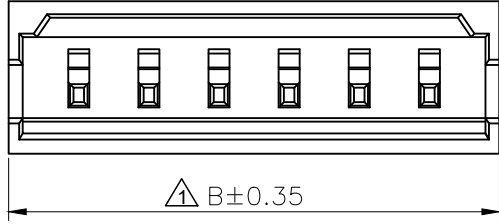
P.C.B LAYOUT

L-KLS1-XL3M-2.00-1-XX-VM  
 RoHS  
 Part NO  
 Series No.  
 Type: VM=Vertical SMT  
 PIN Number: 02 ~ 15Pin  
 Pins: 1-Single layer  
 Pitch: 2.00=2.00mm

- ◆ SPECIFICATIONS
- Current rating: 2A AC, DC
  - Voltage rating: 125V AC, DC
  - Temperature range: -25°C ~ +85°C
  - Insulation resistance: 1000MΩ Min.
  - Withstanding voltage: 800V AC/ minute.
  - Contact resistance: 20mΩ Max.

B

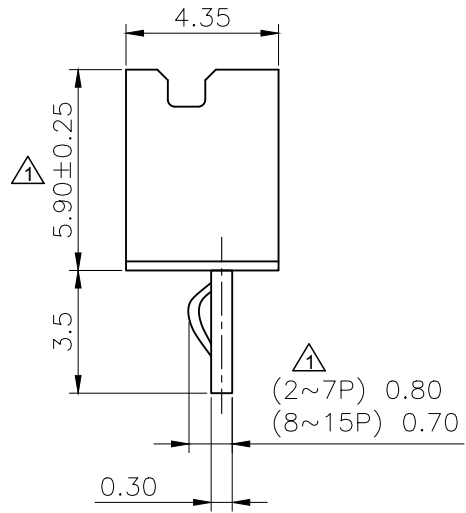
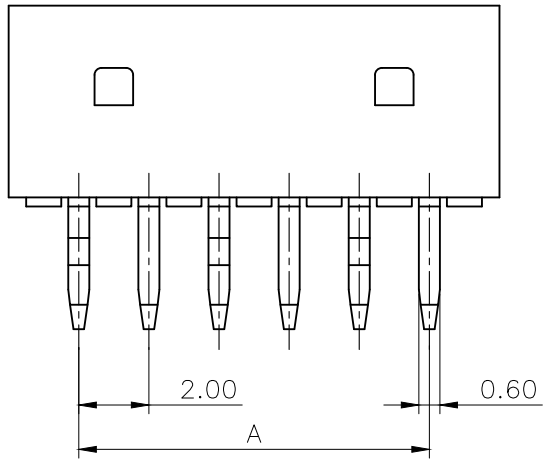
B



Material:  
 Insulator: Nylon 66 UL 94V-0  
 Contact: Brass/tin-plated  
 Plating: Tin plated over Nickel

C

C



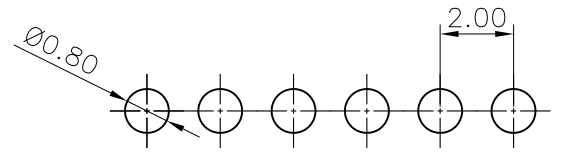
Part No.	Dimensions	
	A	B
02	2.00	6.00
03	4.00	8.00
04	6.00	10.00
05	8.00	12.00
06	10.00	14.00
07	12.00	16.00
08	14.00	18.00
09	16.00	20.00
10	18.00	22.00
11	20.00	24.00
12	22.00	26.00
13	24.00	28.00
14	26.00	30.00
15	28.00	32.00

E

E

F	△4				GENERAL TOLERANCE		UNIT: mm	DATE	TITLE: MX 2.0 DIP 180° Wafer			NINGBO KLS ELECTRONIC CO.LTD		
	△3				.X ± 0.30	X° ± 1°	DRAWN:							
	△2				.XX ± 0.20	.X° ±	CHECKED:		VER.	SCALE:	N/A	PROJECT	PART NO.	KLS1-XL3M-2.00
	△1				.XXX ± 0.10	.XX° ±	APPROVED:		A1	SHEET:	1/1	DRAWING NO.		
	LTR	NAME	DATE	VERISION RECORD										

1 2 3 4 5 6 7 8 9



P.C.B LAYOUT

L-KLS1-XL3M-2.00-1-XX-RM

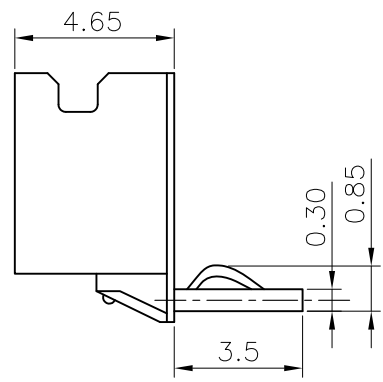
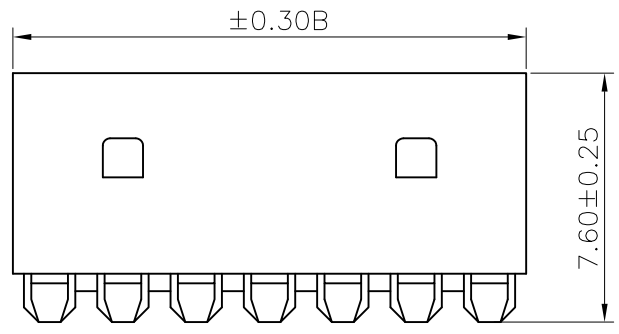
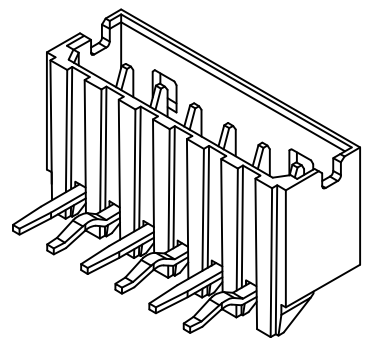
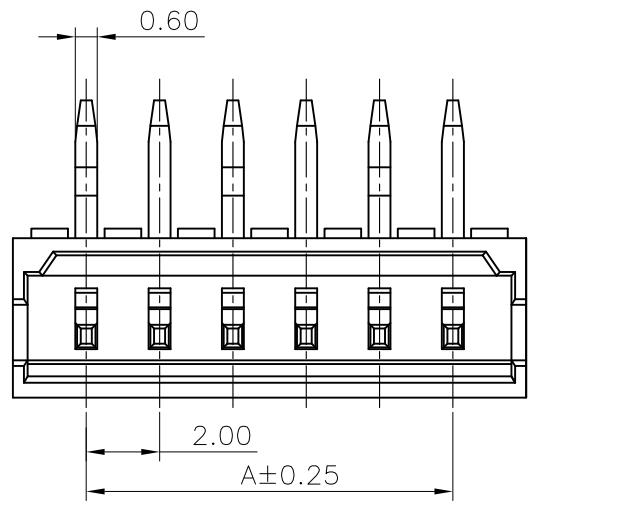
RoHS  
Part NO  
Series No.

Type:RM=Horizontal SMT  
PIN Number: 02 ~ 15Pin  
Pins: 1-Single layer  
Pitch: 2.00=2.00mm

- ◆ SPECIFICATIONS
- Current rating: 2A AC, DC
  - Voltage rating: 125V AC,DC
  - Temperature range: -25°C ~ +85°C
  - Insulation resistance: 1000MΩ Min.
  - Withstanding voltage: 800V AC/ minute.
  - Contact resistance: 20mΩ Max.

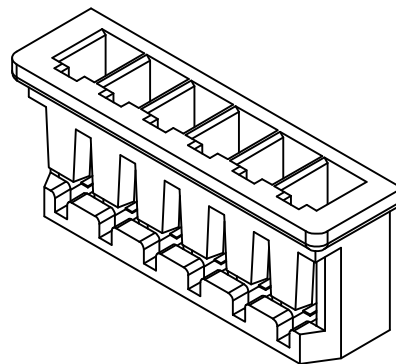
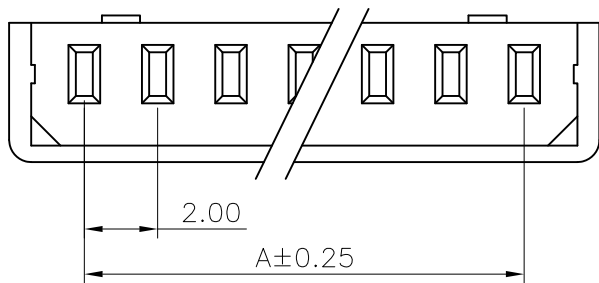
Material:

Insulator: Nylon 66 UL 94V-0  
Contact: Brass/tin-plated  
Plating: Tin plated over Nickel



Part No.	Dimensions	
	A	B
02	2.00	6.00
03	4.00	8.00
04	6.00	10.00
05	8.00	12.00
06	10.00	14.00
07	12.00	16.00
08	14.00	18.00
09	16.00	20.00
10	18.00	22.00
11	20.00	24.00
12	22.00	26.00
13	24.00	28.00
14	26.00	30.00
15	28.00	32.00

	GENERAL TOLERANCE		UNIT: mm		DATE		TITLE: Molex 2.00 90° Wafer			NINGBO KLS ELECTRONIC CO.LTD		
	.X±0.30		X°±1°		DRAWN:							
	.XX±0.20		.X°±		CHECKED:		VER.	SCALE:	N/A	PROJECTION	PART NO.	KLS1-XL3M-2.00
	.XXX±0.10		.XX°±		APPROVED:		A	SHEET:	1/1	DRAWING NO.		
LTR	NAME	DATE	VERISION RECORD									

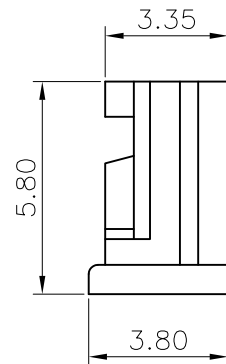
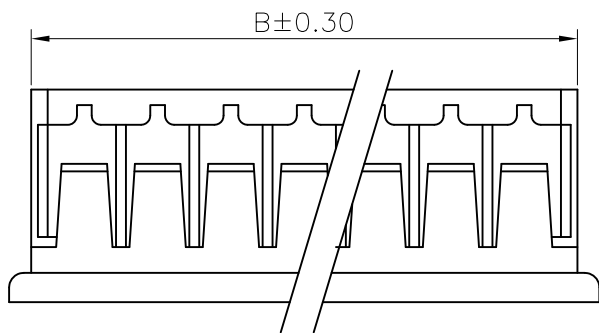


◆ SPECIFICATIONS


- Current rating: 2A AC, DC
- Voltage rating: 125V AC, DC
- Temperature range: -25°C ~ +85°C
- Insulation resistance: 1000MΩ Min.
- Withstanding voltage: 800V AC/ minute.
- Contact resistance: 20mΩ Max.

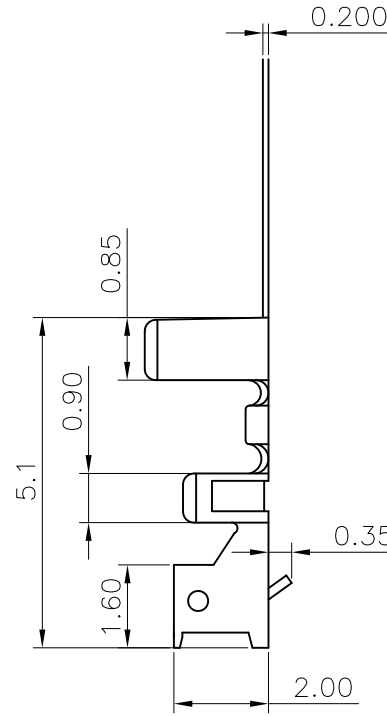
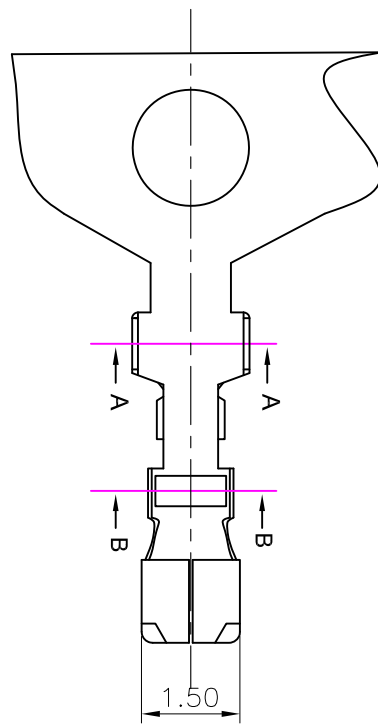
Material: Nylon 66 UL 94V-0

L-KLS1-XL3M-2.00-1-XX-H  
 RoHS Part NO. Series No. Type:H=Housing  
 PIN Number: 02~ 15Pin  
 Pins: 1-Single layer  
 Pitch: 2.00=2.00mm



Part No.	Dimensions	
	A	B
02	2.00	4.90
03	4.00	6.90
04	6.00	8.90
05	8.00	10.90
06	10.00	12.90
07	12.00	14.90
08	14.00	16.90
09	16.00	18.90
10	18.00	20.90
11	20.00	22.90
12	22.00	24.90
13	24.00	26.90
14	26.00	28.90
15	28.00	30.90

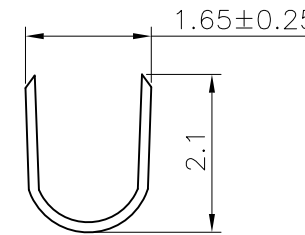
F	△4				GENERAL TOLERANCE	UNIT: mm	DATE	TITLE: Molex 2.00 Housing			 <b>NINGBO KLS ELECTRONIC CO.LTD</b>
	△3				.X±0.30	X°±1°	DRAWN:				
	△2				.XX±0.20	.X°±	CHECKED:		PROJECTION	PART NO.	KLS1-XL3M-2.00
	△1				.XXX±0.10	.XX°±	APPROVED:		VER. A	SCALE: SHEET: 1/1	N/A
	LTR	NAME	DATE	VERISION RECORD							
	1	2	3	4	5	6	7	8	9		



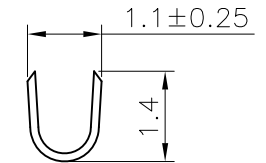
◆ SPECIFICATIONS

- Current rating: 2A AC, DC
- Voltage rating: 125V AC, DC
- Temperature range: -25°C ~ +85°C
- Insulation resistance: 1000MΩ Min.
- Withstanding voltage: 800V AC/ minute.
- Contact resistance: 20mΩ Max.

L-KLS1-XL3M-2.00-T  
 RoHS Part NO. Series No. Type: T=Terminal Pitch: 2.00=2.00mm


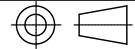


SECTION A-A



SECTION B-B

WIRE RANGE	INSULATION O.D.	MATERIAL	FINISH	Q'TY/Reel
AWG#24-#30	1.4mm(MAX)	PHOSPHOR BRONZE	TIN-PLATED	10,000pcs

④				GENERAL TOLERANCE		UNIT: mm	DATE	TITLE: Molex 2.00 Terminal  NINGBO KLS ELECTRONIC CO.LTD	
③				.X±0.30	X°±1°	DRAWN:			
②				.XX±0.20	.X°±	CHECKED:			
①				.XXX±0.10	.XX°±	APPROVED:			
LTR	NAME	DATE	VERISION RECORD						VER. A SCALE: SHEET: 1/1 N/A PROJECTION 

PROJECTION	PART NO.	KLS1-XL3M-2.00
DRAWING NO.		